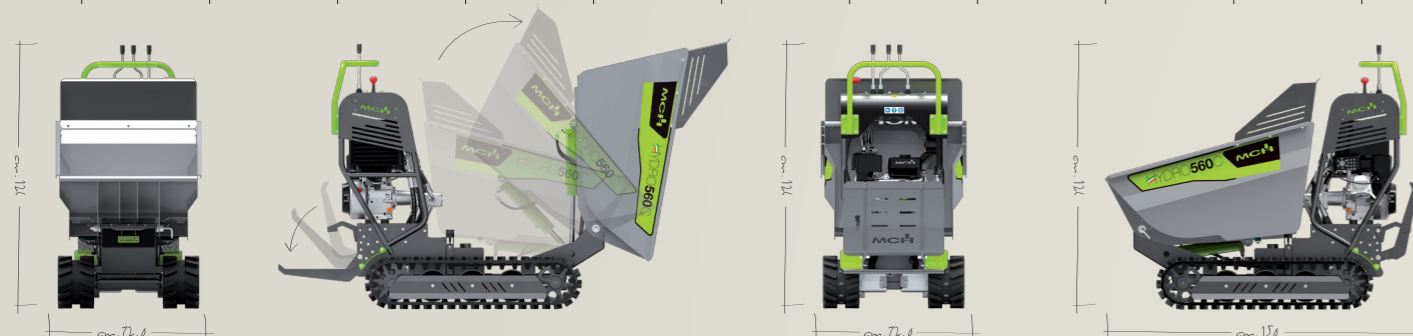


Minidumper

HYDRO560C



	kW	CC							
GASOLINE M210	4.0	196	0.6	MANUAL START	1	1	500	350	325
GASOLINE HONDA GX 200	4.1	196	0.6	MANUAL START	1	1	500	350	325
DIESEL KM178	4.0	296	3.5	MANUAL/ELETRIC START	1	1	500	350	360

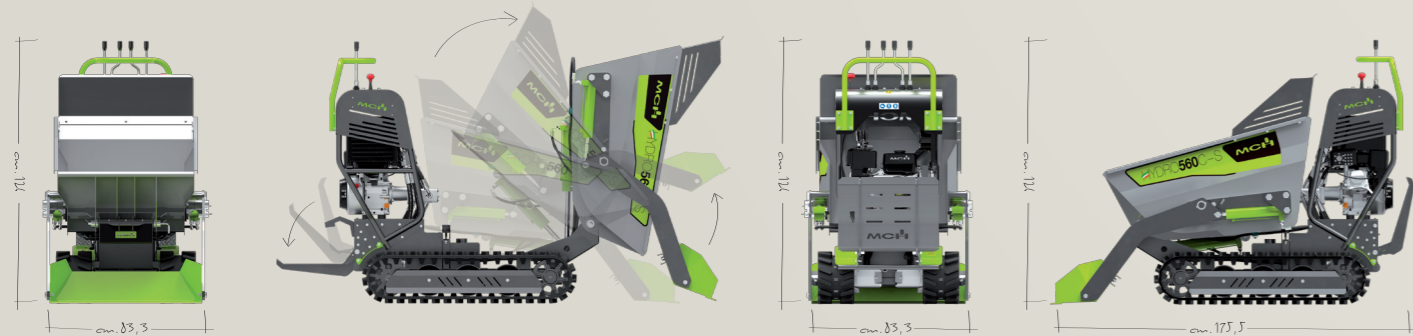


Minidumper

HYDRO560C-S



	kW	CC							
GASOLINE M210	4.0	208	0.6	MANUAL START	1	1	500	350	385
GASOLINE HONDA GX 200	4.1	196	0.6	MANUAL START	1	1	500	350	385
DIESEL KM178	4.0	296	3.5	MANUAL/ELETRIC START	1	1	500	350	420



MCH MACHINERY CORP.Ltd.

Our mission

Producing machines for agriculture, forestry, construction and gardening with high quality standards and innovative design for competitive and demanding global markets.

The HYDRO560 series range

The HYDRO560 series range consists of 8 versions: HYDRO 560C - M210 BASIC/FULL; HYDRO 560C GP200 BASIC/FULL; HYDRO 560C - GX200 BASIC/FULL; HYDRO 560C -D DIESEL BASIC/FULL; HYDRO 560C BASIC (without loader); HYDRO 560C-S FULL (with loader).

The new series of Professional Mini Dumper HYDRO 560C/CS

We have designed and produced a new series of medium-sized mini-dumpers for professional use. In them we have integrated a new concept of style with innovative technical details and modern design; Technical solutions that allow safe and easy use; High quality of materials and workmanship; Robustness and reliability beyond all expectations; Important and accurate details to facilitate their use and transport.

WE HAVE SHAPED OUR CREATIVITY

Details are the essence of the product

Our products stand out for modern design and for the care of many details. From aesthetic finishes to technical contents: MS200 reinforced orbital motors; double gear hydraulic pump; double hydraulic distributor; internal and external roller protection; oil cooling radiator (optional); gasoline and diesel engines; reinforced type tracks; operator platform; reinforced frame.

Cured in the smallest details ...

We have decided to make the use of the machine as simple and practical as possible: high traction power, convenient platform for the operator; strong frame suitable for heavy and professional works.

"WE WILL NOT BE THE MOST ECONOMIC IN THE MARKET BUT WE CAN SAY TO BE AT THE TOP OF QUALITY"

We have made every effort to create a product beyond your expectations.

CUSTOMER SERVICE, OUR STRENGTH...

One of our main target on which we focus all our efforts is the care of our customers. We dedicate our daily activities to the promotion of our products until the complete satisfaction of our customer and end users of our machines. Our products are CE certified and guaranteed for 24 months from sale to the final consumer. We have all the necessary technical documentation and all the spare parts that the machines are made of.



MCH Machinery Corp. Ltd (Italia) S.p.A.
Via del Progresso, 25
36025 Noventa Vicentina (Vicenza) Italy

Phone: +39 081 18558207
e-mail: export@mchpower.com
Vat N.: IT 04042070245

www.mchpower.com

Minidumper series

HYDRO



N. 002616409-0001



www.mchpower.com

Minidumper
HYDRO560C



Minidumper
HYDRO560C-S



Minidumper series

HYDRO

MCH®



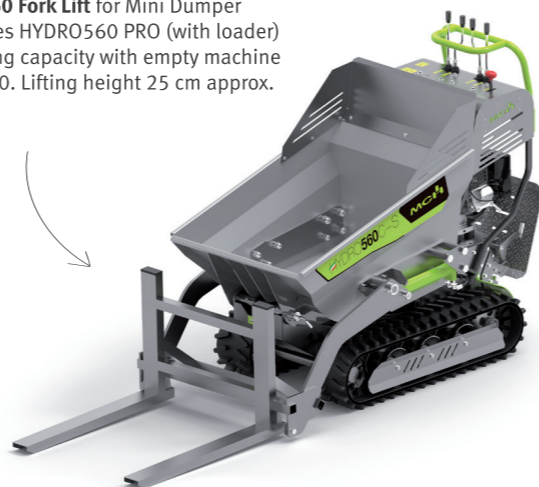
TANDEM GEAR PUMP
PUMP FLOW
HYDRAULIC MOTORS
HYDRAULIC MOTORS DISPLACEMENT

BREVINI
3.2cc+3.2cc /RPM
TYPE ORBITAL VERSION "S" (M+S)
200cc



OPTIONAL

FL560 Fork Lift for Mini Dumper Series HYDRO560 PRO (with loader)
Lifting capacity with empty machine Kg 80. Lifting height 25 cm approx.



WB560 Speciale Wood Box for Mini Dumpers HYDRO560 Series (series without loader)
Hydraulic tipping, strong structure of notched base to stop the logs, easy drainage from the front door. Load capacity up to 500 Kg.



SB560 Snow Blade for Mini Dumper Series HYDRO560 PRO (with loader).
Working width 120 cm, height 42 cm. Manual side adjustment.



ES560 Upper Dumper Body Extensions for HYDRO560 Series (without loader). The extension of the side of about 20 cm allows the dumper body to increase the load volume for the transport needs of bulky and not particularly heavy materials.

