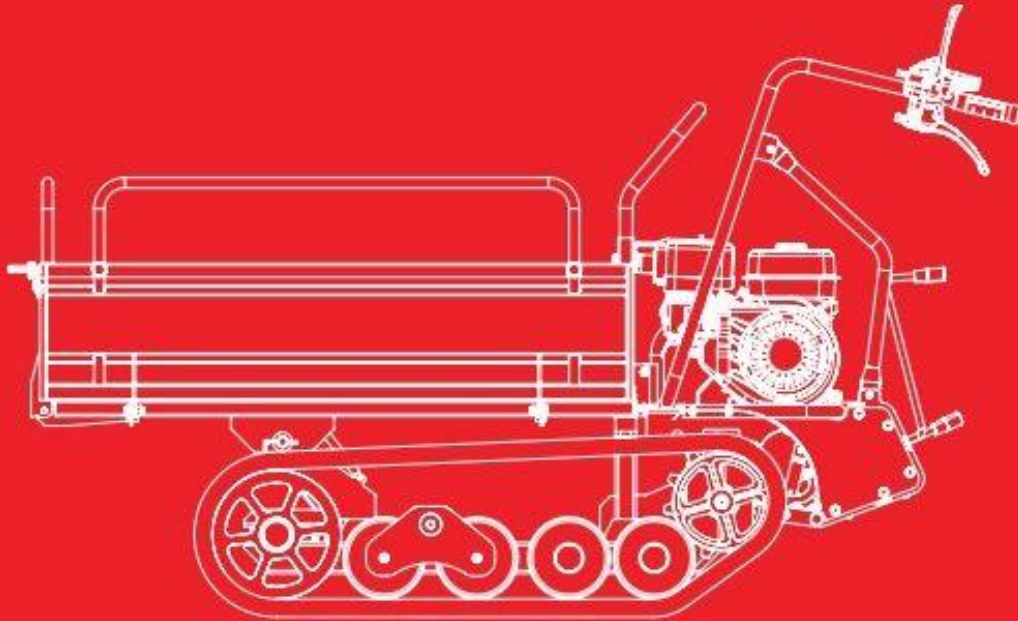


MCH

IT Manuale ricambi

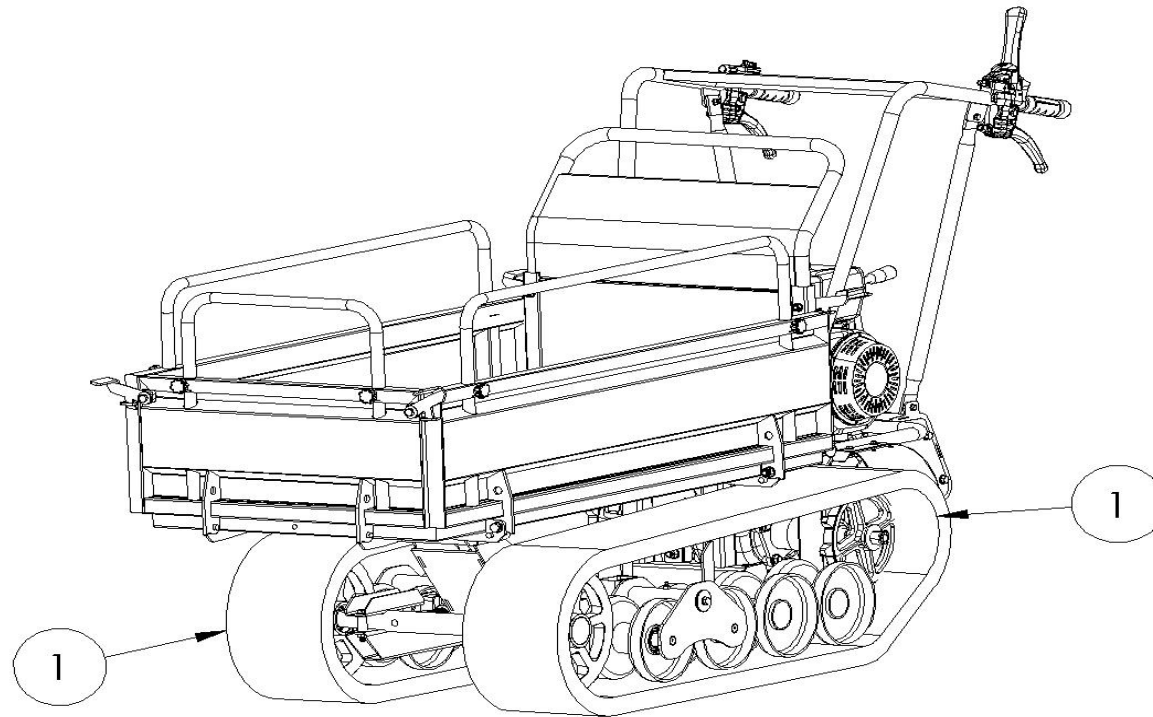
EN Spare parts manual

FR Manuel des pièces de rechange

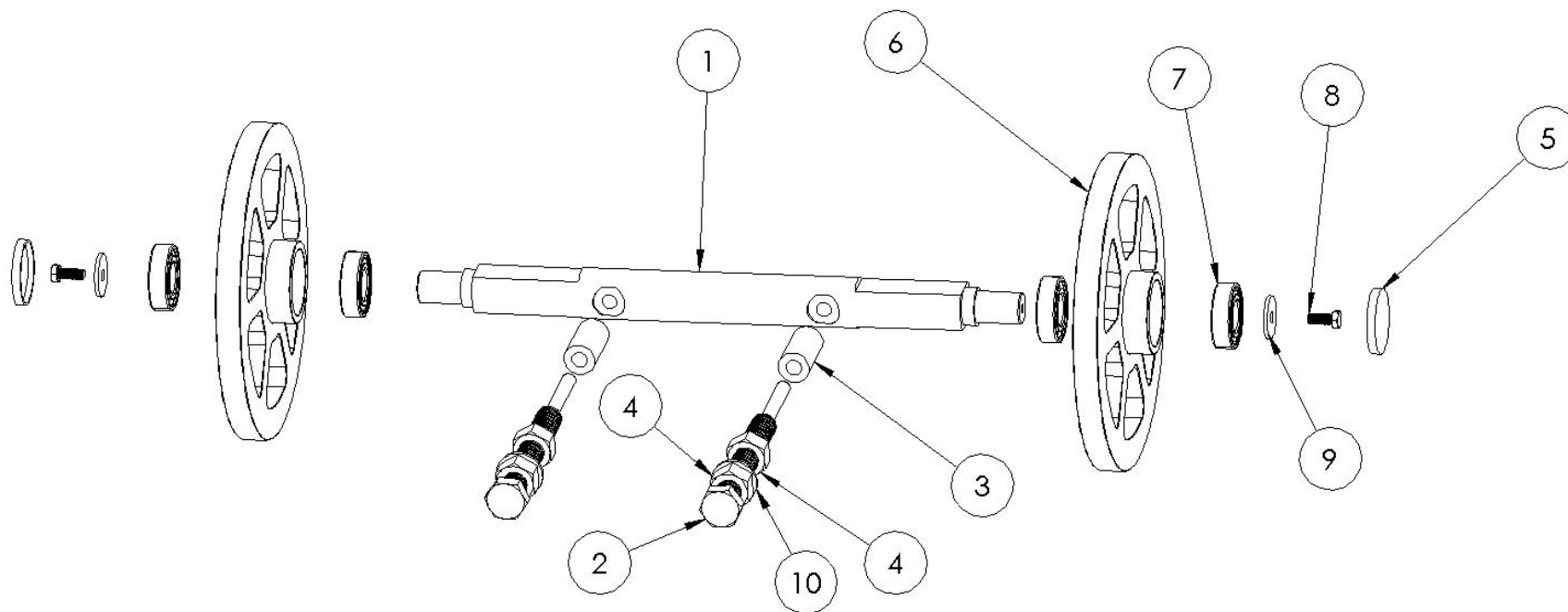


MINI TRANSPORTER

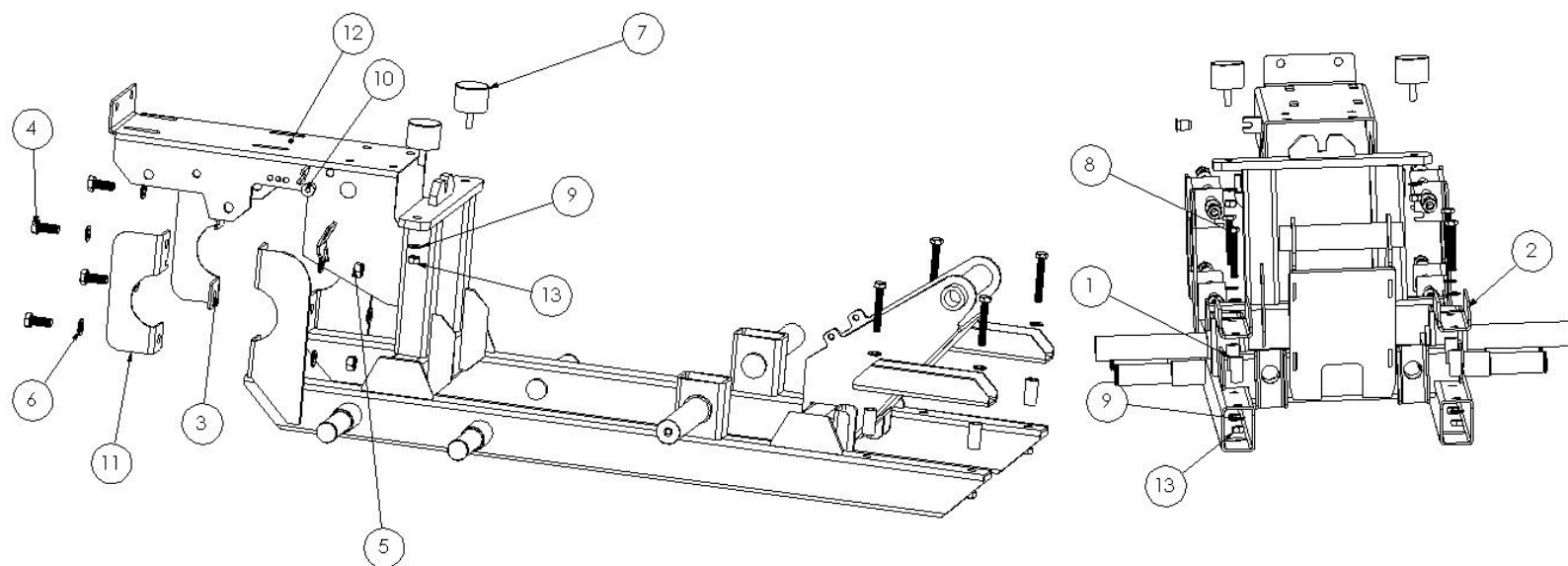
M500



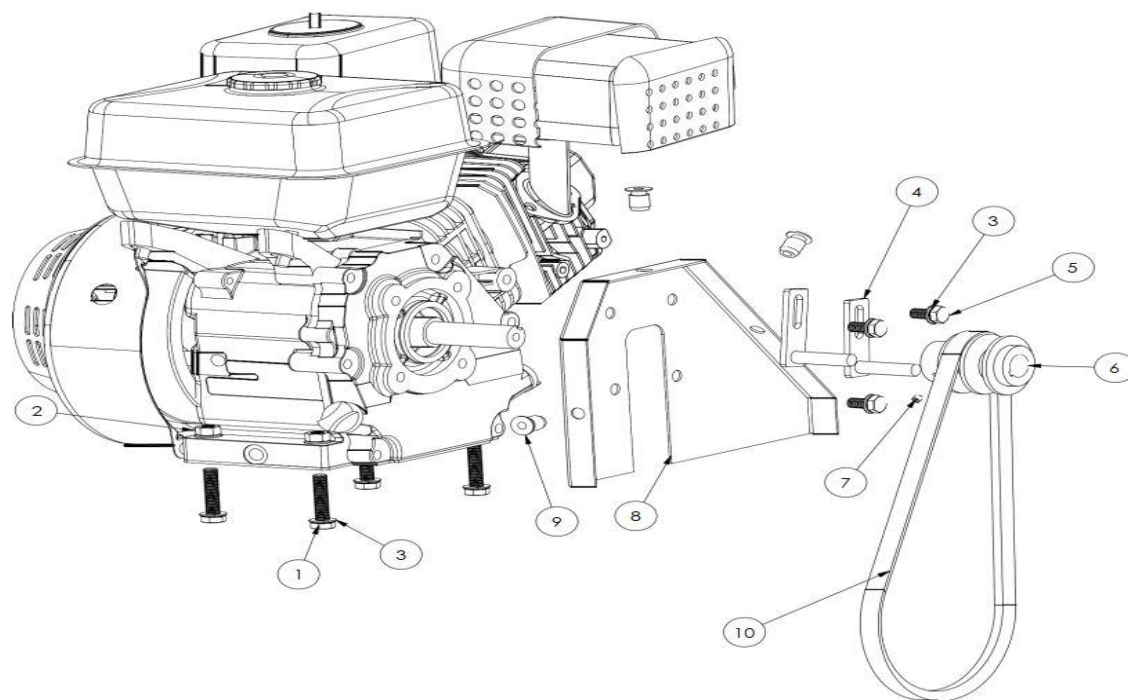
| Pos. | Q.ty | ID Code | Commercial Description | Technical Description | Note |
|------|------|----------|------------------------|-------------------------|------|
| 1 | 2 | M500-C46 | Rubber Tracks | 180x60x42 Rubber Tracks | |



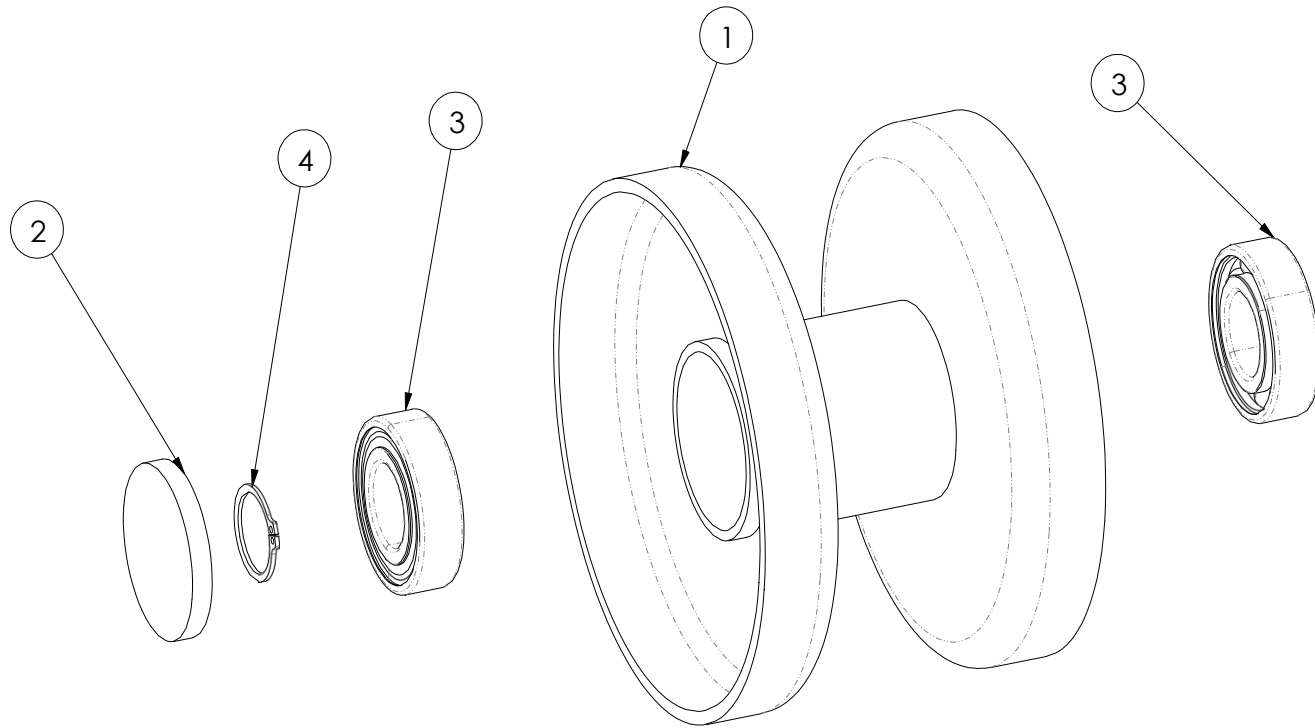
| Pos. | Q.ty | Commercial description | Technical description | ID code | Note |
|------|------|---|---|--------------|------|
| 1 | 1 | Front axle | ∅40x486 mm round bar | M500-001-001 | |
| 2 | 2 | ISO 4017 - TE M20 x 230 | ISO 4017 - M20 x 230 hexagonal head screw | M500-001-002 | |
| 3 | 2 | Compression spring | ISO YELLOW MOULD SPRING - G0050 | M500-C1 | |
| 4 | 4 | M20 - UNI 5588 NUT | M20 - UNI 5588 NUT | M500-C2 | |
| 5 | 2 | ∅52 X 7 mm end cover seal | ∅52 X 7 mm end cover seal | M500-C3 | |
| 6 | 2 | Track idler wheel | ∅250 thickness 20 mm sheet metal | M500-001-006 | |
| 7 | 4 | 6205_Z ball bearing | 6205_Z ball bearing | M500-C4 | |
| 8 | 2 | ISO 4017 - M8 x 20 hexagonal head screw | ISO 4017 - M8 x 20 hexagonal head screw | M500-C5 | |
| 9 | 2 | M8 Special washer | ∅34 - ∅9 - 3 mm thickness washer | M500-001-009 | |
| 10 | 2 | M20 washer - ISO 7089 | M20 washer - ISO 7089 | M500-C47 | |



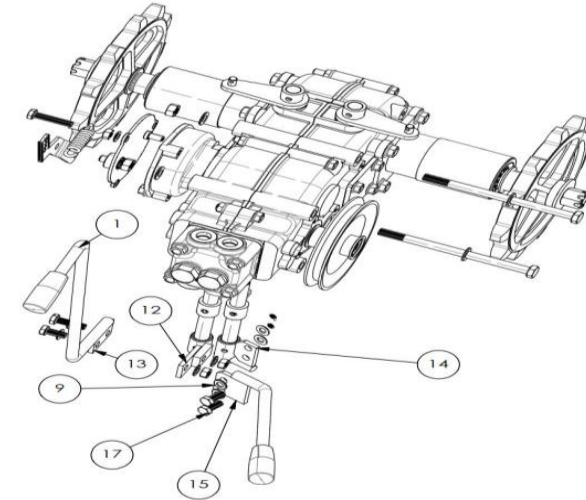
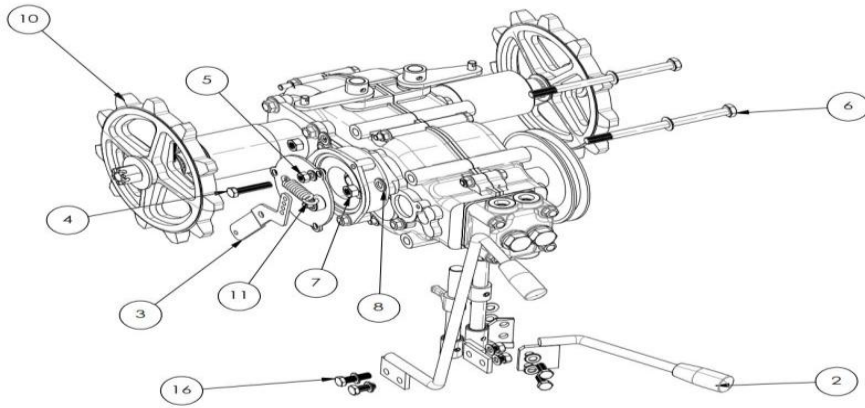
| Pos. | Q.ty | Commercial Description | Technical Description | ID code | Note |
|------|------|---|------------------------------|-----------|------|
| 1 | 4 | Front axle spacer | Ø15 L=30,5 mm round bar | M500-002- | |
| 2 | 2 | Front axle bracket | 170x94,53x3mm sheet metal | M500-002- | |
| 3 | 1 | Left transmission support counter bracket | 148x94,3x3mm sheet metal | M500-002- | |
| 4 | 4 | ISO 4017 - M10 x 25 hexagonal head screw | ISO 4017 - M10 x 25 | M500-C6 | |
| 5 | 4 | ISO 4032 - M10 nut | ISO 4032 - M10 nut | M500-C7 | |
| 6 | 8 | ISO 7090 - M10 washer | ISO 7090 - M10 washer | M500-C8 | |
| 7 | 2 | Rubber stop | Ø40 L=30 mm rubber stop M8 | M500-C13 | |
| 8 | 4 | ISO 4017 - M8 x 55 hexagonal head screw | ISO 4017 - M8 x 55 hexagonal | M500-C9 | |
| 9 | 8 | ISO 7090 - M8 washer | ISO 7090 - M8 washer | M500-C10 | |
| 10 | 1 | M6 threaded insert | M6 threaded insert | M500-C12 | |
| 11 | 1 | Right transmission support counter | 148x94,3x3mm sheet metal | M500-002- | |
| 12 | 1 | Chassis | Welded chassis | M500-002- | |
| 13 | 4 | ISO 4032 - M8 nut | ISO 4032 - M8 nut | M500-C11 | |



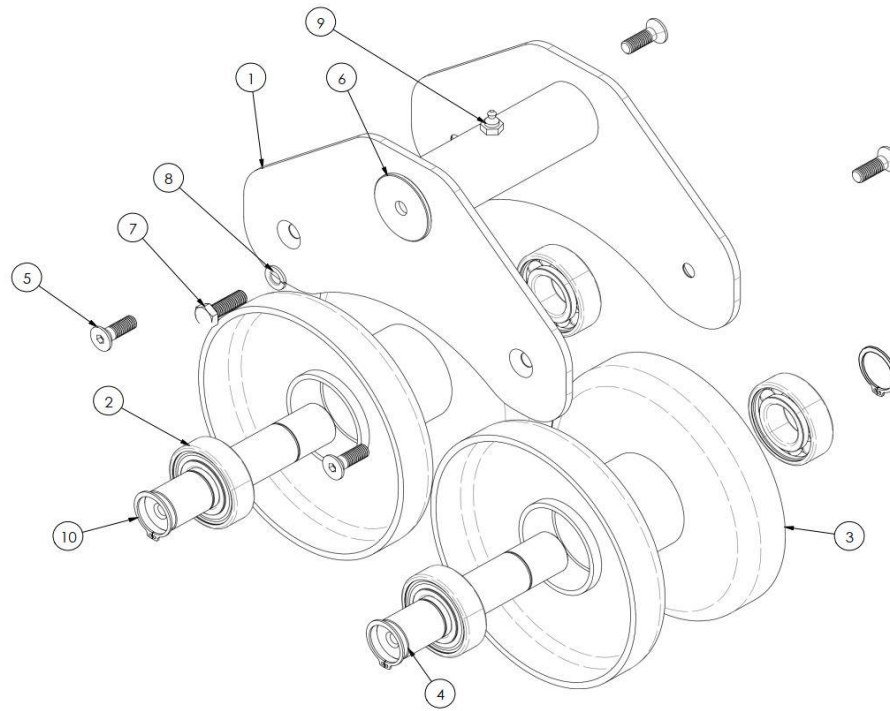
| Pos. | Q.ty | Commercial Description | Technical Description | ID Code | Note |
|------|------|---|--|-----------|------|
| 1 | 4 | ISO 4017 - M8 x 40 hexagonal head screw | ISO 4017 - M8 x 40 hexagonal | M500-C14 | |
| 2 | 4 | ISO 4032 - M8 Nut | ISO 4032 - M8 Nut | M500-C11 | |
| 3 | 11 | ISO 7090 - M8 washer | ISO 7090 - M8 washer | M500-C10 | |
| 4 | 2 | Belt guide | 65 x 20 x 4 mm sheet metal | M500-003- | |
| 5 | 3 | ISO 4017 - M8 x 16 hexagonal head screw | ISO 4017 - M8 x 16 hexagonal | M500-C15 | |
| 6 | 1 | Engine pulley | Trapezoidal pulley $\varnothing e=50\text{mm}$ | M500-C48 | |
| 7 | 1 | ISO 4026 - M5x5 mm grain | ISO 4026 - M5x5 mm grain | M500-C16 | |
| 8 | 1 | Belt protection plate | 290,3x188,1x1,5 mm sheet | M500-003- | |
| 9 | 3 | M6 threaded insert | M6 threaded insert | M500-C12 | |
| 10 | 1 | A27 Belt | A27 Belt | M500-C45 | |



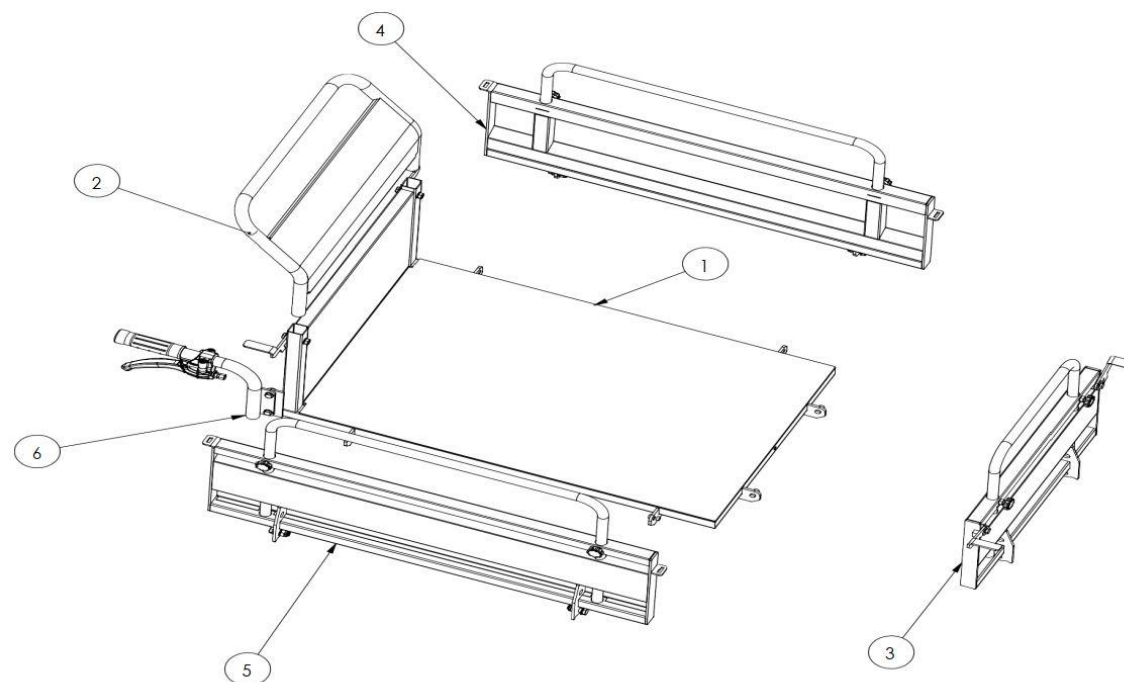
| Pos. | Q.ty | Commercial description | Technical description | ID Code | Note |
|------|------|----------------------------|-----------------------------|----------|------|
| 1 | 1 | Steel roller | Ø 159x116x4 mm steel roller | M500-C50 | |
| 2 | 1 | Ø 52 x 7 mm end cover seal | Ø 52 x 7 mm end cover seal | M500-C3 | |
| 3 | 2 | 6205_Z ball bearing | 6205_Z ball bearing | M500-C4 | |
| 4 | 1 | DIN 471 - Seeger albero 25 | DIN 471 - Seeger albero 25 | M500-C49 | |



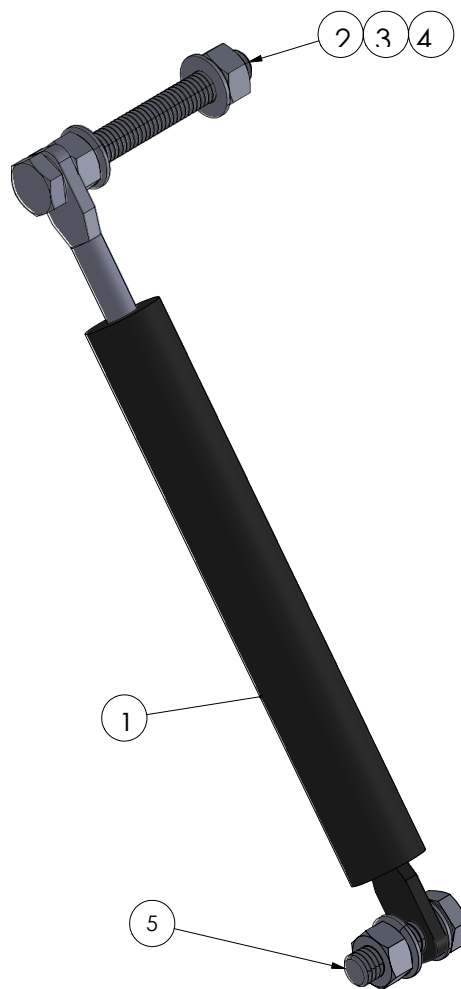
| Pos. | Q.ty | Commercial description | Technical description | ID code | Note |
|------|------|--|--|--------------|------|
| 1 | 1 | Gear lever | D12 mm L=488 mm round bar | M500-007-001 | |
| 2 | 1 | Speed lever | D12 mm L=209 mm round bar | M500-007-002 | |
| 3 | 1 | Brake lever | 165,48x39,93x3 mm sheet metal | M500-007-003 | |
| 4 | 1 | ISO 4017 - M8 x 40 hexagonal head screw | ISO 4017 - M8 x 40 hexagonal head screw | M500-C14 | |
| 5 | 5 | ISO 4032 - M8 nut | ISO 4032 - M8 nut | M500-C11 | |
| 6 | 2 | ISO 4014 - M10 x 160 x 26 hexagonal head screw | ISO 4014 - M10 x 160 x 26 hexagonal head screw | M500-C17 | |
| 7 | 2 | ISO 4032 - M10 nut | ISO 4032 - M10 nut | M500-C7 | |
| 8 | 4 | ISO 7090 - M10 washer | ISO 7090 - M10 washer | M500-C8 | |
| 9 | 9 | ISO 7090 - M8 washer | ISO 7090 - M8 washer | M500-C10 | |
| 10 | 2 | Traction wheel | Traction wheel | M500-C47 | |
| 11 | 1 | Tension spring | ∅ 11,2 mm l=44,2 mm tension spring | M500-C1.1 | |
| 12 | 1 | 45X25X5 mm sheet metal | 45X25X5 mm sheet metal | M500-007-012 | |
| 13 | 1 | 45x30x5 mm sheet metal | 45x30x5 mm sheet metal | M500-007-013 | |
| 14 | 1 | 40x25x5 mm sheet metal | 40x25x5 mm sheet metal | M500-007-014 | |
| 15 | 1 | 40x40x5 mm sheet metal | 40x40x5 mm sheet metal | M500-007-015 | |
| 16 | 1 | ISO 4017 - M8 x 30-S hexagonal head screw | ISO 4017 - M8 x 30-S hexagonal head screw | M500-C51 | |
| 17 | 3 | ISO 4017 - hexagonal head screw M8 x 20 | ISO 4017 - hexagonal head screw M8 x 20 | M500-C5 | |



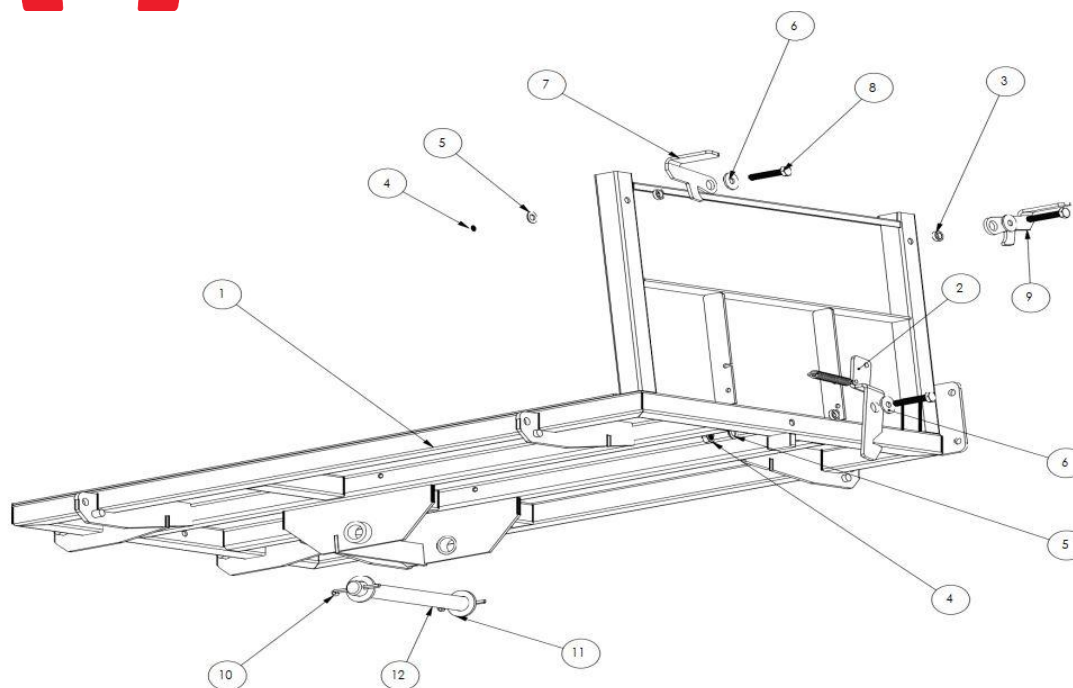
| Pos. | Q.ty | Commercial description | Technical description | ID code | Note |
|------|------|---|---|--------------|------|
| 1 | 1 | Rotating sheet metals group | Double 135x250x5 mm sheet metal with $\varnothing 40 \times \varnothing 30 \times 135$ mm round bar | M500-008-001 | |
| 2 | 4 | 6205_Z ball bearing | 6205_Z ball bearing | M500-C4 | |
| 3 | 2 | Steel roller | $\varnothing 159 \times 116 \times 4$ mm steel roller | M500-C50 | |
| 4 | 2 | Rotating roller shaft | $\varnothing 25 \times 124$ mm round bar | M500-008-004 | |
| 5 | 4 | ISO 10642 - M8 x 25 flat countersunk head screw with hexagon socket | ISO 10642 - M8 x 25 flat countersunk head screw with hexagon socket | M500-C18 | |
| 6 | 1 | Special washer | $\varnothing 42 \times \varnothing 9 \times 3$ mm washer | M500-008-006 | |
| 7 | 1 | ISO 4017 - TE M8 x 25 hexagon head screw | ISO 4017 - TE M8 x 25 hexagon head screw | M500-C19 | |
| 8 | 1 | Rosetta elastica DIN 127 - M8 | DIN 127 - M8 spring lock washer | M500-C16.1 | |
| 9 | 1 | UNI 7663-A M6x3 mm straight grease nipple | UNI 7663-A M6x3 mm straight grease nipple | M500-C20 | |
| 10 | 4 | Seeger DIN 471 - albero 25 x 1.2 | Seeger DIN 471 - albero 25 x 1.2 | M500-C49 | |



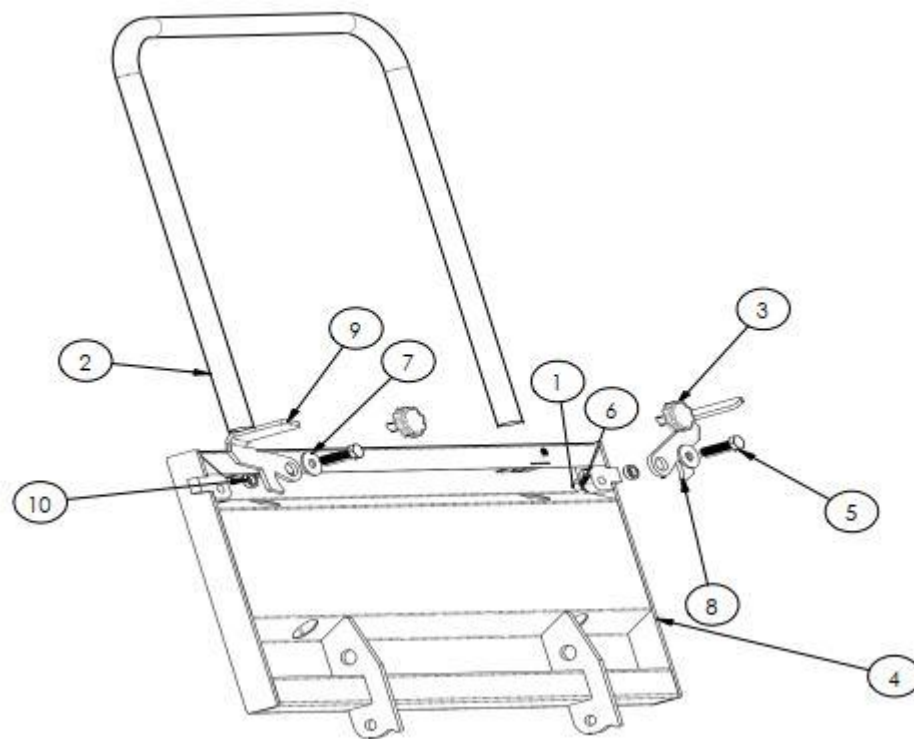
| Pos. | Q.ty | Commercial description | Technical description | ID code | Note |
|------|------|--|---------------------------------|--------------|------|
| 1 | 1 | Gruppo pianale di carico | Loading platform group | M500-009-001 | |
| 2 | 1 | Gruppo protezione posteriore sfilabile | Removable rear protection group | M500-009-002 | |
| 3 | 1 | Gruppo sponda anteriore | Front side group | M500-009-003 | |
| 4 | 1 | Gruppo sponda sinistra | Left side group | M500-009-004 | |
| 5 | 1 | Gruppo sponda destra | Right side group | M500-009-005 | |
| 6 | 1 | Gruppo leva sollevamento | Lifting lever group | M500-009-006 | |



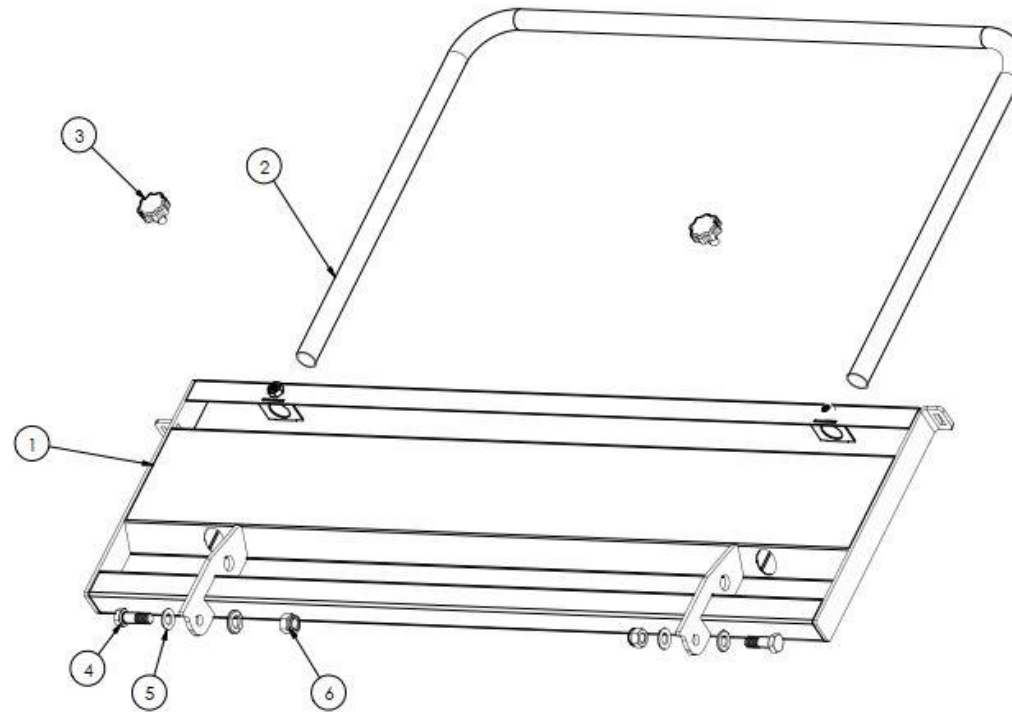
| Pos. | Q.ty | Commercial description | ID code | Note |
|------|------|---|----------|------|
| 1 | 1 | Gas spring | M500-C43 | |
| 2 | 1 | ISO 4017 - M6 x 50 hexagonal head screw | M500-C44 | |
| 3 | 3 | ISO 4032 - M6 nut | M500-C35 | |
| 4 | 4 | ISO 7090 - M6 washer | M500-C39 | |
| 5 | 1 | ISO 4017 - M6 x 20 hexagonal head screw | M500-C38 | |



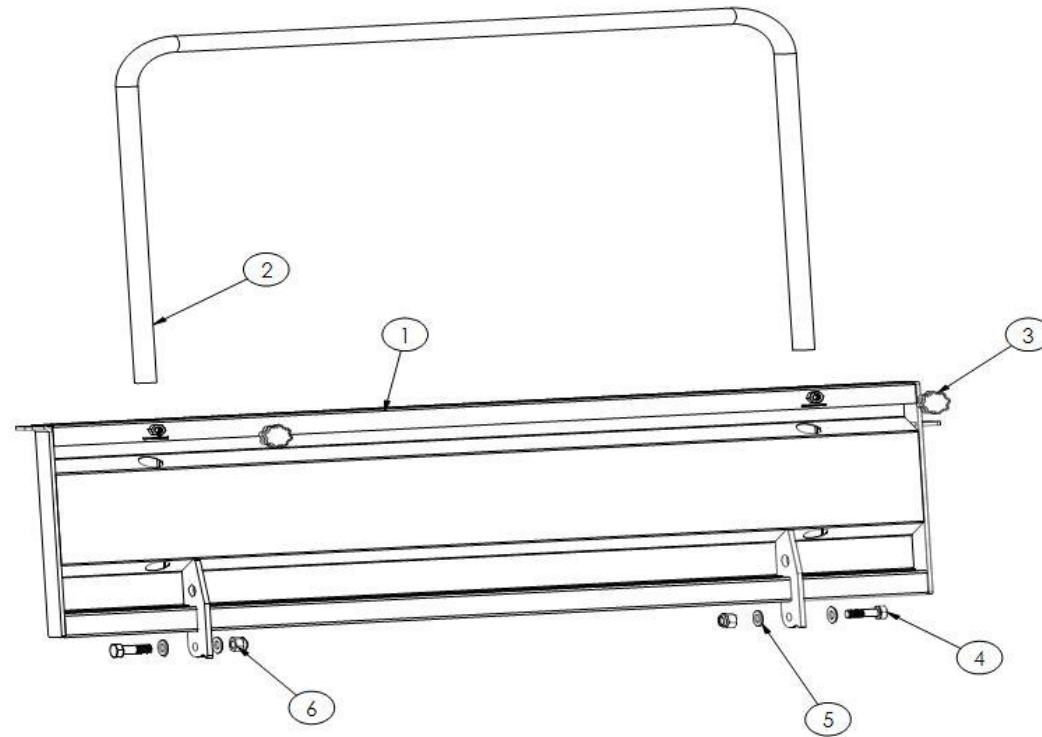
| Pos. | Q.ty | Commercial description | Technical description | ID code | Note |
|------|------|--------------------------------------|---------------------------------------|------------------|------|
| 1 | 2 | Platform | Welded Platform | M500-009-001 | |
| 2 | 1 | Anti-lift hook | 169,57x30x4 mm sheet metal | M500-009-001-011 | |
| 3 | 3 | Bushing spacer | ∅ 14 L=4,5 mm round bar | M500-009-001-013 | |
| 4 | 3 | ISO 4032 - M8 nut | ISO 4032 - M8 nut | M500-C11 | |
| 5 | 3 | ISO 7090 - M8 washer | ISO 7090 - M8 washer | M500-C10 | |
| 6 | 3 | ISO 7093 - Large M8 washer | ISO 7093 - Large M8 washer | M500-C24 | |
| 7 | 1 | Left closing lever | 87x100,1x4 mm sheet metal | M500-009-001-022 | |
| 8 | 3 | ISO 4014 - Hesagonal head screw M8 x | ISO4014 - Hesagonal headscrew M8x45-S | M500-C52 | |
| 9 | 1 | Right closing lever | 87x100,1x4 mm sheet metal | M500-009-001-024 | |
| 10 | 2 | Coppiglia D5 | Cotter pin D5 | M500-C22 | |
| 11 | 2 | Rondella ISO 7089-M20 | Rondella ISO 7089-M20 | M500-C47 | |
| 12 | 1 | Perno Carrello | Trailer pin | M500-009-007 | |
| 13 | 1 | Traction spring | ∅ 2,8 mm L=86,2 mm spring | M500-C1.2 | |



| Pos. | Q.ty | Commercial description | Technical description | ID code | Note |
|------|------|---|---------------------------------------|------------------|------|
| 1 | 4 | ISO 4032 - M8 nut | ISO 4032 - M8 nut | M500-C11 | |
| 2 | 1 | Roll bar | 20thickness 1.5mm L=1157,1mm tube | M500-009-003-006 | |
| 3 | 2 | M8 knob | M8 X 15 knob | M500-C27 | |
| 4 | 1 | Front side group | Welded front side group | M500-009-003 | |
| 5 | 2 | ISO 4017 - Hexagonal head screw M8 x 30 | ISO 4017 - Hexagonal head screw M8x30 | M500-C51 | |
| 6 | 2 | ISO 7090 - M8 washer | ISO 7090 - M8 washer | M500-C10 | |
| 7 | 2 | ISO 7093 - M8 large washer | ISO 7093 - M8 large washer | M500-C24 | |
| 8 | 1 | Left closing lever | 87x100,1x4 mm sheet metal | M500-009-001-022 | |
| 9 | 1 | Right closing lever | 87x100,1x4 mm sheet metal | M500-009-001-024 | |
| 10 | 2 | Closing lever bushing | ∅ 14mmx ∅ 9mm L=4.5mm bushing | M500-009-001-013 | |



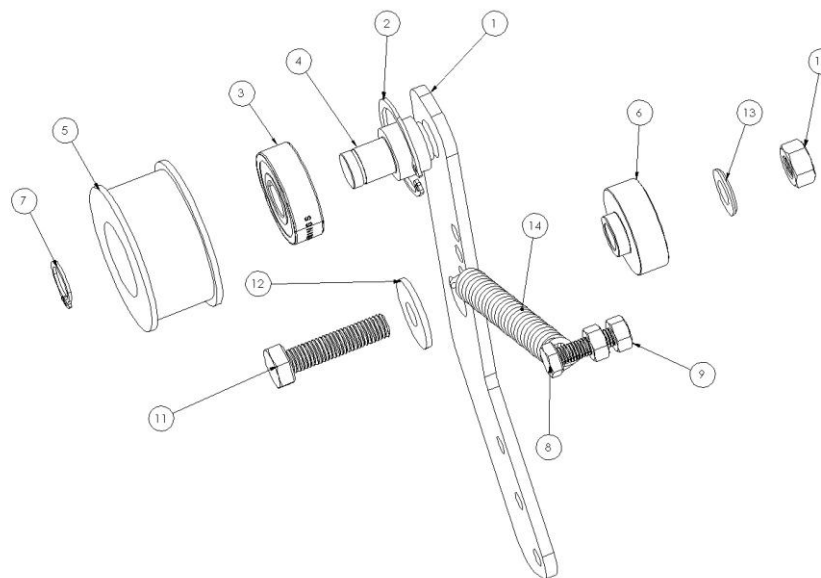
| Pos. | Q.ty | Commercial description | Technical description | ID code | Note |
|------|------|------------------------------------|---|------------------|------|
| 1 | 1 | Right side group | Welded right side group | M500-009-005 | |
| 2 | 1 | Roll barr | ∅ 20 mm thickness 1,5 mm L=1447,1 mm tube | M500-009-004-005 | |
| 3 | 2 | M8 knob | M8 knob | M500-C27 | |
| 4 | 2 | VITE ZAPPETTE M10 X 30 P1,5 FIL.15 | VITE ZAPPETTE M10 X 30 P1,5 FIL.15 | M500-C54 | |
| 5 | 4 | ISO 7090 - RONDELLA M10 | ISO 7090 - RONDELLA M10 | M500-C8 | |
| 6 | 2 | UNI 7473 - M10 SELF LOCKING NUT | UNI 7473 - M10 SELF LOCKING NUT | M500-C53 | |



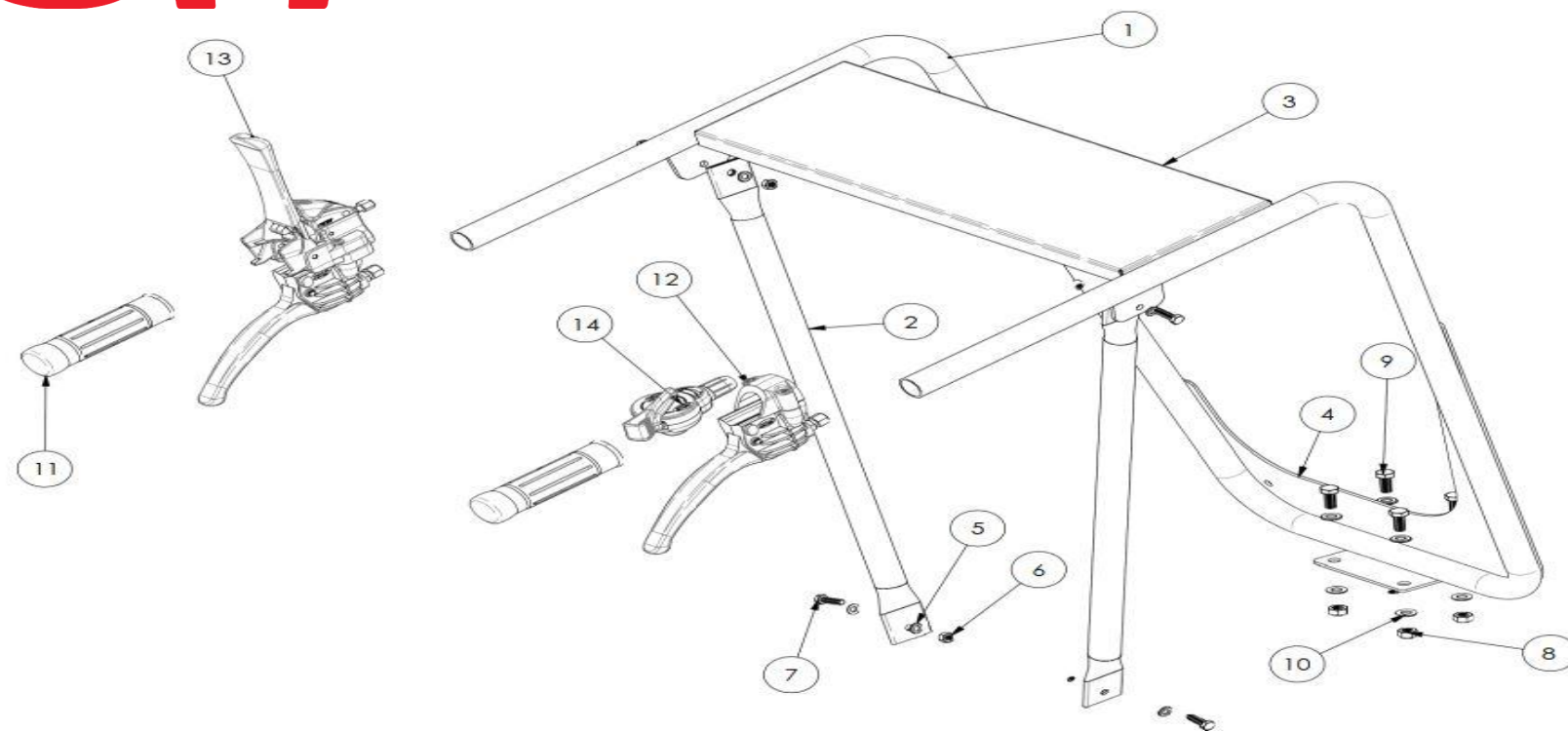
| Pos. | Q.ty | Commercial description | Technical description | ID code | Note |
|------|------|-----------------------------------|--------------------------------------|------------------|------|
| 1 | 1 | Left side group | Welded left side group | M500-009-004 | |
| 2 | 1 | Roll bar | 20 thickness 1.5 mm L=1447,1 mm tube | M500-009-004-005 | |
| 3 | 2 | M8 knob | M8 knob | M500-C27 | |
| 4 | 2 | VITE ZAPPETTE M10 x 30 P1.5 FIL15 | VITE ZAPPETTE M10 x 30 P1.5 FIL15 | M500-C54 | |
| 5 | 4 | ISO 7090 - M10 washer | ISO 7090 - M10 washer | M500-C8 | |
| 6 | 2 | UNI 7473 - M10 SELF LOCKING NUT | UNI 7473 - M10 SELF LOCKING NUT | M500-C53 | |



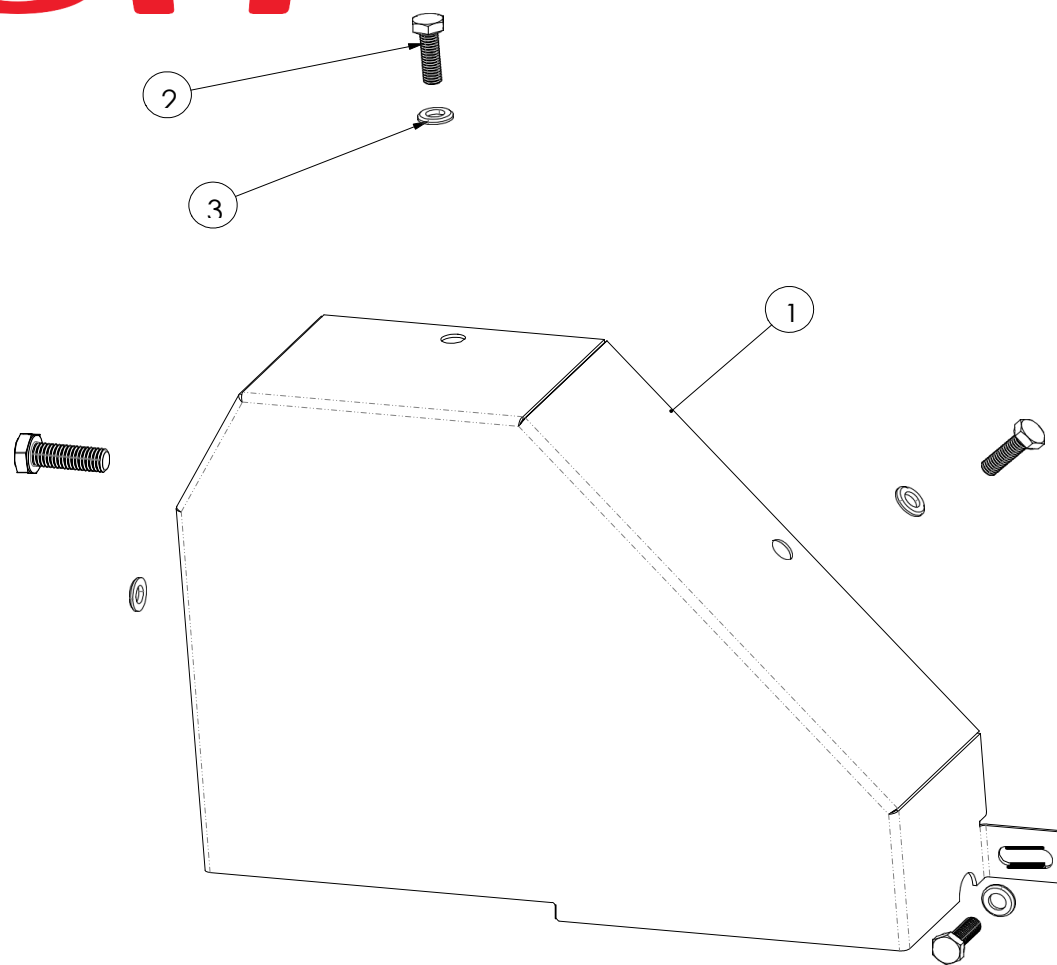
| Pos. | Q.ty | Commercial description | Technical description | ID code | Note |
|------|------|---|----------------------------------|-------------------|------|
| 1 | 1 | Lifting tube plate | 100x35x3 mm sheet metal | M500H-009-001-003 | |
| 2 | 1 | Lifting tube | 25thickness 2 mm L=413,4 mm tube | M500H-009-006-002 | |
| 3 | 2 | ISO 4032 - M8 Nut | ISO 4032 - M8 Nut | M500-C11 | |
| 4 | 2 | ISO 4017 - M8 x 20 hexagonal head screw | ISO4017-M8x20hexagonal headscrew | M500-C5 | |
| 5 | 4 | ISO 7090 - M8 Washer | ISO 7090 - M8 Washer | M500-C10 | |
| 6 | 1 | Simple lever | Simple lever | M500-C28 | |
| 7 | 1 | Ø 25 Knob | Ø 25 Knob | M500-C29 | |



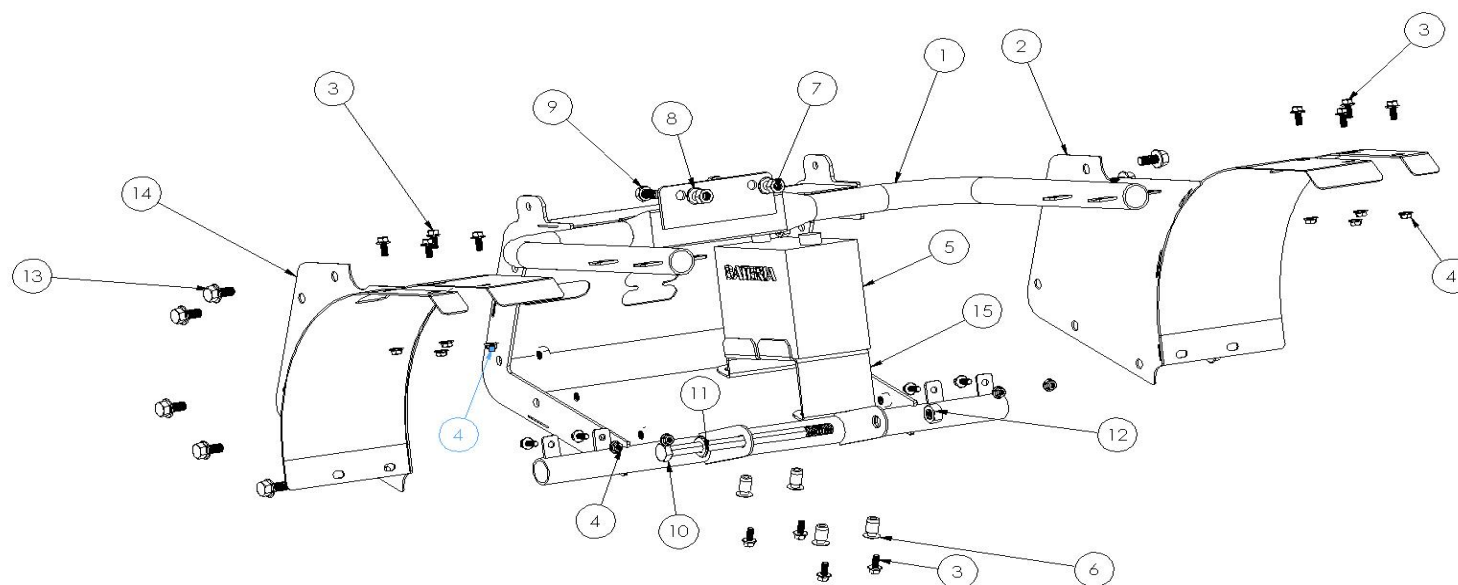
| Pos. | Q.ty | Commercial description | Technical description | ID code | Note |
|------|------|---|---|--------------|------|
| 1 | 1 | Rocker plate | 193,9x51,3x4 mm sheet metal | M500-010-001 | |
| 2 | 1 | Seeger 32mm DIN472 | Seeger 32mm DIN472 | M500-C30 | |
| 3 | 1 | 6201-2RS Ball Bearing | 6201-2RS Ball Bearing | M500-C31 | |
| 4 | 1 | Steel shaft | ∅ 18 L=28 mm round bar | M500-010-004 | |
| 5 | 1 | Pulley | 50 L=25 mm round bar | M500-010-005 | |
| 6 | 1 | Centering bush | 30 L=14,5 mm round bar | M500-010-006 | |
| 7 | 1 | Seeger DIN 471 - 12 x 1 | Seeger DIN 471 - 12 x 1 | M500-C32 | |
| 8 | 1 | ISO 4017 - M6 x 25 hexagonal head screw | ISO 4017 - M6 x 25 hexagonal head screw | M500-C34 | |
| 9 | 2 | ISO 4032 - M6 nut | ISO 4032 - M6 nut | M500-C35 | |
| 10 | 1 | ISO 4032 - M8 nut | ISO 4032 - M8 nut | M500-C11 | |
| 11 | 1 | ISO 4017 - hexagonal head screw M8 x 35 | ISO 4017 - hexagonal head screw M8 x 35 | M500-C54 | |
| 12 | 1 | ISO 7093 - M8 large washer | ISO 7093 - M8 large washer | M500-C24 | |
| 13 | 1 | ISO 7090 - M8 washer | ISO 7090 - M8 washer | M500-C10 | |
| 14 | 1 | Traction spring | ∅ 2,8 mm L=86,2 mm spring | M500-C1.2 | |



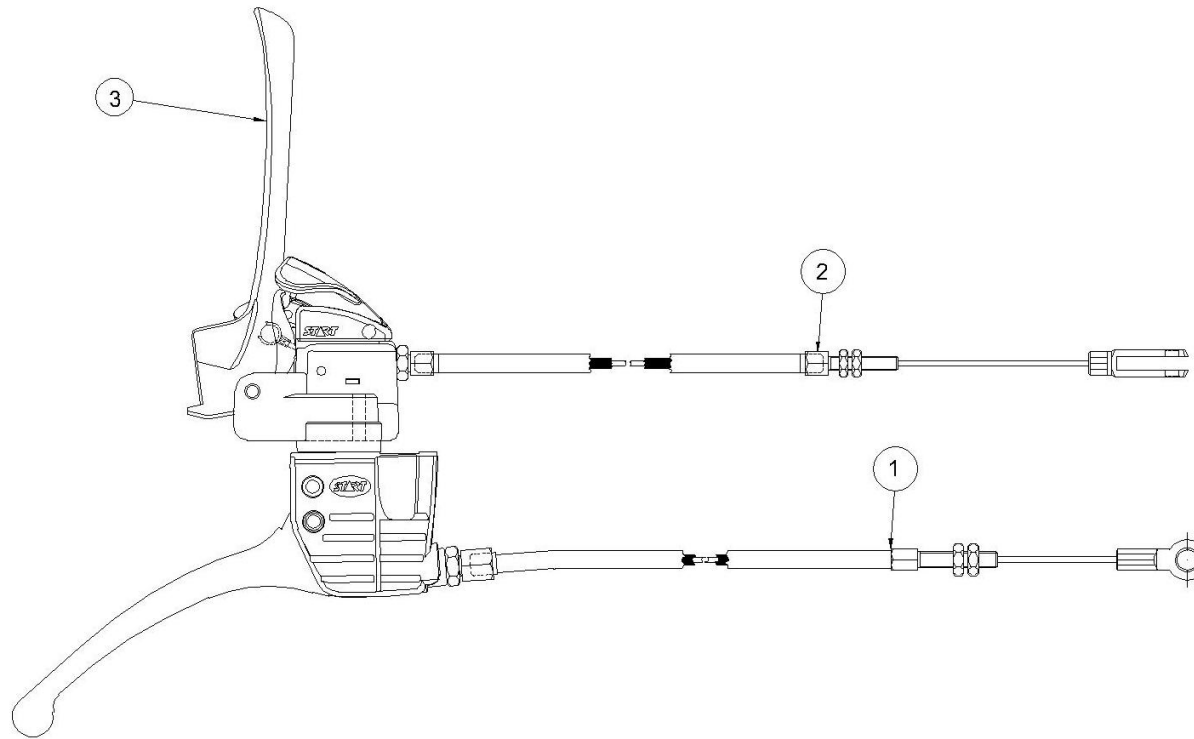
| Pos. | Q.ty | Commercial description | Technical description | ID code | Note |
|------|------|-----------------------------------|---|--------------|------|
| 1 | 1 | Front handlebar | Ø25thickness2mmL=2577,6mmtube with plates | M500-011-001 | |
| 2 | 2 | Rear handlebar | Ø25th.=2mmL=607,1mmtube with plate | M500-011-002 | |
| 3 | 1 | Handlebars cover | 528.1x191.1x1.5 mm sheet metal | M500-011-003 | |
| 4 | 1 | Handlebars stiffener | 416,2x448,3x3 mm sheet metal | M500-011-004 | |
| 5 | 4 | ISO 4032 - M8 nut | ISO 4032 - M8 nut | M500-C11 | |
| 6 | 4 | ISO 4017 - M8 x 20 hexagonal head | ISO 4017 - M8x20hexagonal head screw | M500-C5 | |
| 7 | 4 | ISO 4017 - M6 x 20 hexagonal head | ISO 4017 - M6x20hexagonal head screw | M500-C38 | |
| 8 | 8 | ISO 7090 - M8 washer | ISO 7090 - M8 washer | M500-C10 | |
| 9 | 4 | ISO 4032 - M6 nut | ISO 4032 - M6 nut | M500-C35 | |
| 10 | 8 | ISO 7090 - M6 washer | ISO 7090 - M6 washer | M500-C39 | |
| 11 | 2 | Ø25 knob | Ø25 knob | M500-C29 | |
| 12 | 1 | Simple lever | Simple lever | M500-C28 | |
| 13 | 1 | Combined lever | Combined lever | M500-C36 | |
| 14 | 1 | Throttle | Throttle lever | M500-C37 | |



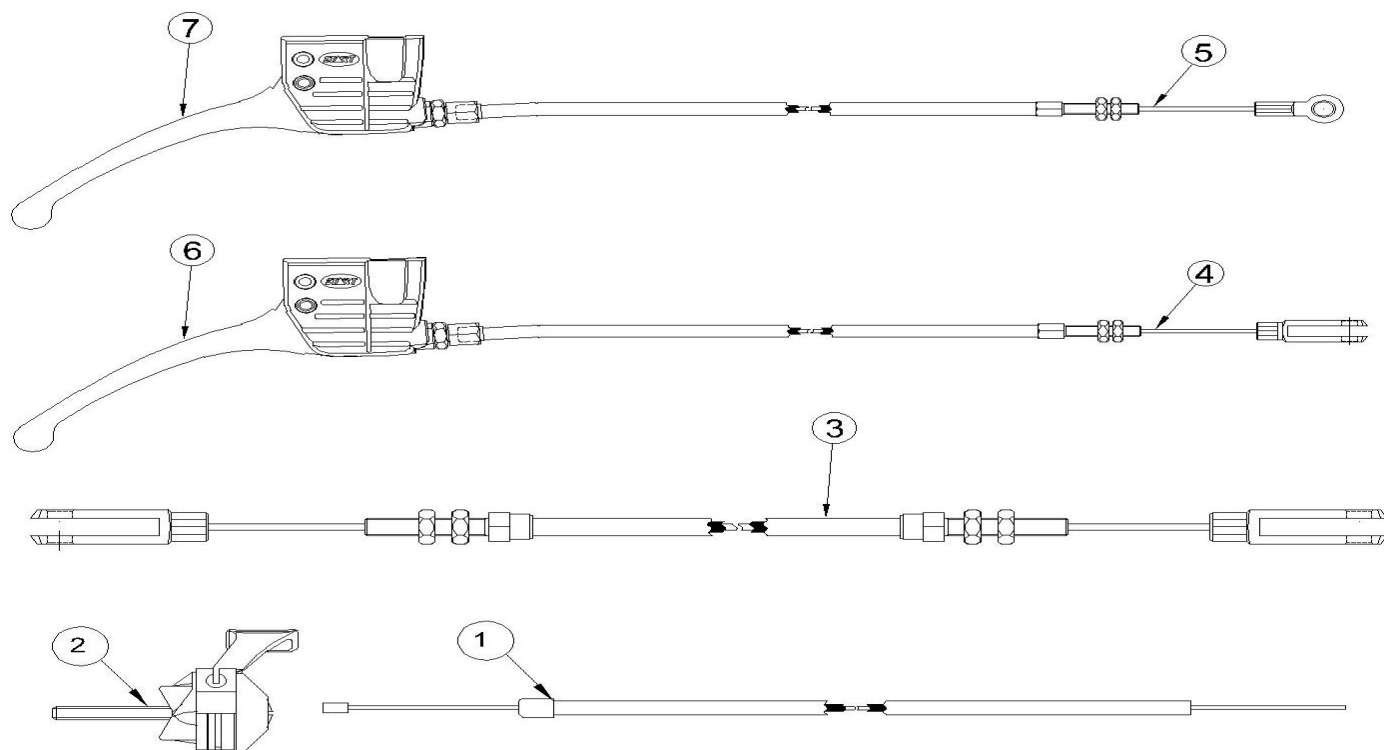
| Pos. | Q.ty | Commercial description | Technical description | ID code | Note |
|------|------|---|---|--------------|------|
| 1 | 1 | Belt cover | 431,3x268,6x1,2 mm sheet metal | M500-012-001 | |
| 2 | 4 | ISO 4017 - M6 x 20 hexagonal head screw | ISO 4017 - M6 x 20 hexagonal head screw | M500-C38 | |
| 3 | 4 | ISO 7090 - M6 washer | ISO 7090 - M6 washer | M500-C39 | |



| Pos. | Q.ty | Commercial description | Technical description | ID code | Note |
|------|------|---|---|--------------|------|
| 1 | 1 | Cover frame | Welded cover frame | M500-013 | |
| 2 | 1 | Rubber truck left cover | 408,8 x 120 x1.5 mm sheet metal | M500-013-006 | |
| 3 | 16 | DIN 6921 - M5 x 12 flanged hexagonal head screw | DIN 6921 - M5 x 12 flanged hexagonal head screw | M500-C40 | |
| 4 | 12 | DIN 6923 - M5 flanged nut | DIN 6923 - M5 flanged nut | M500-C41 | |
| 5 | 1 | Battery | Battery | M500-C62 | |
| 6 | 4 | M5 threaded insert | M5 threaded insert | M500-C42 | |
| 7 | 12 | ISO 4032 - M8 nut | ISO 4032 - M8 nut | M500-C11 | |
| 8 | 4 | ISO 7090 - M8 washer | ISO 7090 - M8 washer | M500-C10 | |
| 9 | 2 | ISO 4017 - M8 x 20 hexagonal head screw | ISO 4017 - M8 x 20 hexagonal head screw | M500-C5 | |
| 10 | 1 | ISO 4014 - M10 x 160 x 26 hexagonal head screw | ISO 4014 - M10 x 160 x 26 hexagonal head | M500-C17 | |
| 11 | 2 | ISO 7090 - M10 washer | ISO 7090 - M10 washer | M500-C8 | |
| 12 | 1 | ISO 4032 - M10 nut | ISO 4032 - M10 nut | M500-C7 | |
| 13 | 10 | DIN 6921 - HESAGONAL HEAD SCREW M8 x 16 FLANGED | DIN 6921 - HESAGONAL HEAD SCREW M8 x | M500-C55 | |
| 14 | 1 | Right side rubber cover | 408,8x121,5x1,2 mm sheet metal | M500-013-019 | |
| 15 | 1 | Battery support | 227,6x90,2 x mm sheet metal | M500-013-020 | |



| Pos. | Q.ty | Commercial description | Technical description | ID code | Note |
|------|------|------------------------------|------------------------------|----------|------|
| 1 | 1 | Left directional lever cable | Left directional lever cable | M500-C60 | |
| 2 | 1 | Starter cable | Starter cable | M500-C61 | |
| 3 | 1 | Left combined lever | Combined lever | M500-C36 | |



| Pos. | Q.ty | Commercial description | Technical description | ID code | Note |
|------|------|----------------------------------|----------------------------------|----------|------|
| 1 | 1 | Throttle cable | Throttle cable | M500-C57 | |
| 2 | 1 | Throttle lever | Throttle lever | M500-C37 | |
| 3 | 1 | Tensioner-Brake cable connection | Tensioner-Brake cable connection | M500-C36 | |
| 4 | 1 | Open lever cable | Open lever cable | M500-C58 | |
| 5 | 1 | Right directional lever cable | Right directional lever cable | M500-C59 | |
| 6 | 1 | Right directional lever | Simple lever | M500-C28 | |
| 7 | 1 | Open lever | Simple lever | M500-C28 | |



MCH GROUP S.R.L.
Contrada Piana – Zona Industriale
IT-86019 VINCHIATURO (CB)
T+39 0874 1919149

WWW.MCHWORLD.COM