

technical data.**iDuctor W1200**

iD Koffer / box 4Kg
13 X 49 X 38 Cm

Transport 16Kg 4 boxes
52 X 49 X 38 Cm

Harmonisatie code; 85144.00000

single tool 1,4Kg
W1200

Product specifications

Power supply

- voltage: 230VAC +/- 10%
- frequency: 50 – 60 Hz
- output: 1200W
- the use of a generator is permissible if it is able to deliver adequate power and the output delivers clean sinus form voltage in the correct frequency range (50 - 60 Hz).
- safety class: Class I

Working environment

- temperature: - 5°C to + 40°C
- humidity: 0 – 90%, non-condensing
- IP 20
- no higher than 2,000 metres above sea level

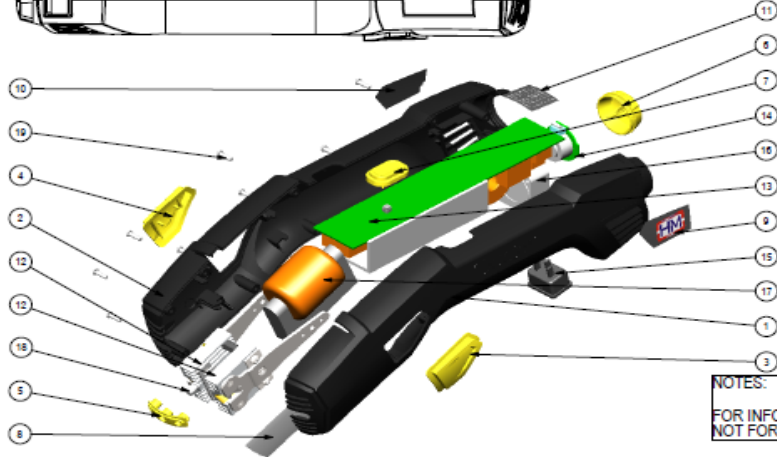
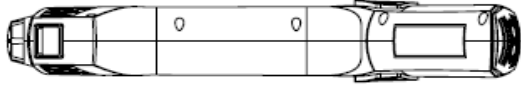
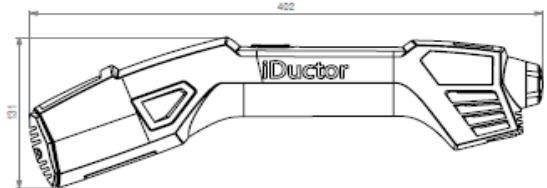
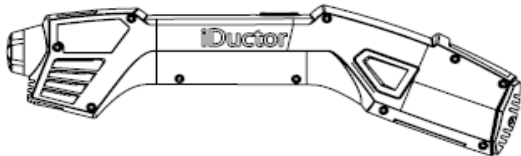
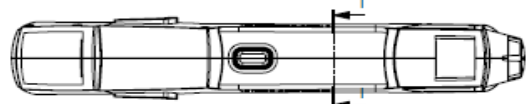
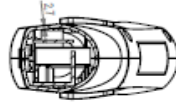
CE Emissie: EN 55011
EN 61000-3-2
EN 61000-3-3
Immunity: EN 61000-6-2
LVD(safety): EN 60335-1

Patenten

EP 131665946.2 Klem mechanisme
Computer gecontroleerd proces
Eenknops bediening P/T
Lock up kabel connection



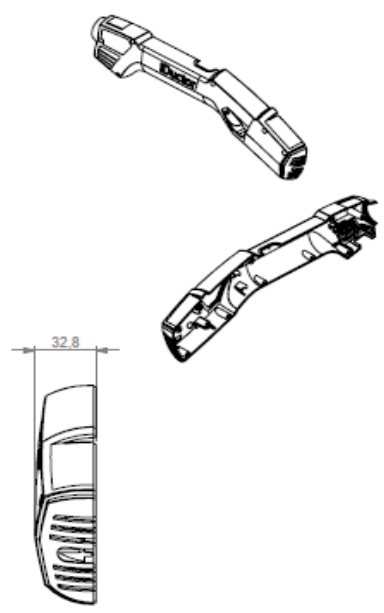
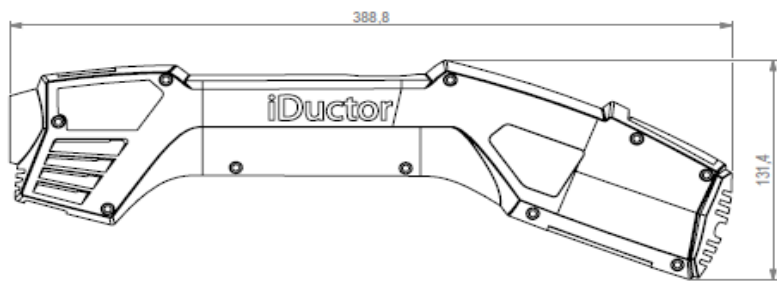
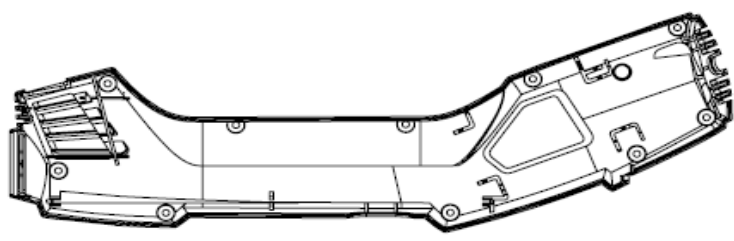
SECTION I-I



NOTES:
FOR INFORMATION ONLY!
NOT FOR PRODUCTION!

Part No.	Quantity	Name	Material	Drawing No.
1	1	HOUSING LEFT	-	2033-20000-02C
2	1	HOUSING RIGHT	-	2033-20000-03C
3	1	KNOB LEFT	-	2033-20000-04B
4	1	KNOB RIGHT	-	2033-20000-05B
5	1	FRONT	-	2033-20000-06B
6	1	KNOB BACK	-	2033-20000-07B
7	1	KNOB TOP	-	2033-20000-08B
8	1	LABEL DATA	STICKER	2033-20000-10A
9	1	LABEL BRAND-LEFT	STICKER	2033-20000-11A
10	1	LABEL BRAND RIGHT	STICKER	2033-20000-12A
11	1	LABEL SETTINGS	STICKER	2033-20000-13A
12	1	MECHANISM ASSEMBLY	ASSY	2033-20000-00A
13	1	PCB	PCB	2033-11000-01C
14	1	TURNINGKNOB	PCB	2033-11000-04B
15	1	IEC CONNECTOR	BUY	#100.4220
16	1	FAN	BUY	-
17	1	COIL	BUY	-
18	1	LED LENS	BUY	-
19	10	EJOT M3,5X12	BUY (FABORY)	#26750035012

FLEX/theINNOVATIONLAB®				Scale: 1:2	Projection:
Drawn by: SL	Checked by: -	Managed by: PG	Material: ASSY	Units: mm	
Date: 2012/02/11	Remarks: FOR INFORMATION ONLY	Weight: 1102.28	Tolerances: -	Size: A3	
Project: 2033	Name: iDuctor		Drawing No: 2033-10000-00A		



FLEX/theINNOVATIONLAB®				Scale: 1:2	Projection:
Drawn by: SL	Checked by: -	Managed by: PG	Material: -	Units: mm	
Date: 2012/02/11	Remarks: FOR INFORMATION ONLY	Weight: 122.10	Tolerances: -	Size: A3	
Project: 2033	Name: HOUSING RIGHT		Drawing No: 2033-20000-03C		