



**Diamond Tools and Equipment
for Construction and Infrastructure**



Water Tank ICS-WT40L

OPERATOR'S MANUAL (EN)

TABLE OF CONTENTS

SAFETY INSTRUCTIONS	4
BATTERY AND CHARGER	6
TECHNICAL CHARACTERISTICS	7
DESCRIPTION	8
USE	10
SERVICING AND MAINTENANCE	13
EXPLODED VIEW - SPARE PARTS	14
DECLARATION OF CONFORMITY	15



WARNING

In order to avoid any risk of injury for yourself or a third party, we recommend that you carefully read and properly understand the following safety instructions before using the Water Tank.

Do not borrow or hire it without the instruction manual.

Ensure that the person using the Water Tank has properly understood the instructions set out in this manual.

PRECAUTIONS FOR USE

The Water Tank is designed to work with: Water.

Do not use with caustic or corrosive chemical agents as they are likely to cause serious malfunctions.

Contact us if you are unsure of the product's chemical compatibility with this device.

Always use the basket as a filter when filling the tank.

Be sure to observe the items mentioned in this manual.



WEAR PROTECTIVE GLASSES

The employer and the user must ensure that appropriate eye protection is provided when using the device. Eye protection must be in accordance with the specifications of 'American National Standards Institute' ANSI Z87.1 (Council Directive 89/686/EEC of 21 December, 1989) and must offer front and side protection.

NOTE: glasses without side protection and only front protection do not offer appropriate protection.

KEEP THE WATER TANK OUT OF THE REACH OF CHILDREN

Do not allow onlookers, especially children, to remain near the Water Tank when in operation.

Individuals not involved in work, particularly children, must be kept away from the area and must not touch the Water Tank.

DO NOT REPAIR A DEFECTIVE WATER TANK

If the Water Tank is defective or not working properly, turn the switch immediately to OFF and have it examined by your approved dealer.

DO NOT MODIFY THE WATER TANK

Any modification to the WATER TANK will reduce its performance and operational safety, and lead to the warranty right being forfeited.

**DO NOT AIM THE LANCE OR JET AT ANOTHER PERSON.**

Great care is recommended while working with the Water Tank. Never aim the water jet or spray lance towards a person or animal, regardless of whether the switch is at O or I.

**DO NOT LEAVE OR MOVE AWAY FROM THE WATER TANK WHILE THE SWITCH IS AT I.****IF USING HARMFUL PRODUCTS.**

Carefully read the instructions and precautions for use to be taken for correctly using these products. If required, wear the necessary PPE.

DO NOT STORE OR SPRAY INFLAMMABLE PRODUCTS WITH THE WATER TANK.**SOLUBLE PRODUCTS**

If using soluble products, ensure that they are completely dissolved and mixed before putting them in the tank. Drain and rinse the Water Tank after use.

INSTALLING THE WATER TANK

Always ensure that the Water Tank is level and on a stable base. Ensure that the filling filter is used when filling the tank.

KEEP THE WATER TANK IN GOOD WORKING ORDER.

The Water Tank must be kept clean to ensure that it continues to perform well over time and operate safely.

Be sure to rinse it if using products other than clean water.

Drain the pump and the tank if the temperature is at risk of dropping below 0°C.

Ensure that the battery is never left completely flat.

A new battery or one that is unused for an extended period can run flat. Fully recharge the battery before use.

ONLY USE AN ORIGINAL BATTERY CHARGER

Ensure that the battery is well charged for operating the Water Tank under ideal conditions. Only use an original charger. Using another charger may cause irreparable damage to the battery and charger. This may also cause overheating or a fire.



BEFORE CONNECTING THE BATTERY

Check that the main switch is at the position 'O'.

BEFORE USING FOR THE FIRST TIME

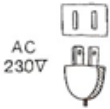
Charge the battery and ensure that it is fully charged. The needle must be in the voltmeter's green zone.

INSPECTION POINTS

Check the following points:

If the Water Tank starts up on its own, if it heats up, feels wrong, or it makes an unusual noise there may be a fault. Contact your approved dealer to have it inspected.

PRECAUTIONS REGARDING THE CHARGER, THE BATTERY AND CHARGING THE BATTERY



Check the voltage of the socket where you are going to connect the charger. The voltage must be between 100V and 230V. 50 Hz and 60 Hz alternating current.



Do not charge the battery in the rain, in a humid place, or where water could splash

Do not touch the power cable or socket with your hands or with wet gloves



Do not cover the battery charger when charging

The battery and the charger must be kept away from any heat source or flames.



Do not charge the battery in the vicinity of inflammable material.

Do not charge the battery in sunlight.

Charge the battery in a dry and ventilated place.

Charge the battery at a temperature between 0°C and 40°C.



Handle the power cable with care.

Never short-circuit the terminals, the battery or the charger.

Do not charge any other make of battery with this charger.

If you need to replace the Water Tank's battery, do not just throw it away.

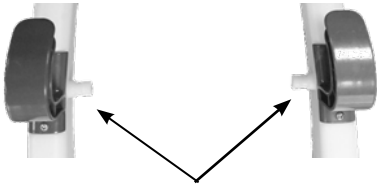
It must be disposed of in a suitable recycling container.



WHEN STORING THE WATER TANK

You must recharge the battery at least every three months to keep it in good condition.

Product reference	Water Tank - 40
Weight	17 kg with the battery
Height	105 cm
Width	41 cm
Length	38 cm
Tank capacity	40 litres – 10.5 gallons
VRLA, Energy Saving gel battery	12V - 15 A/h Sector recharge time: around 13h Battery life: around 9h
Fuse	10 A - 5x20mm cylindrical cartridge
Charger	Between 100V-240V / 50Hz-60Hz Output 12V – 2A Automatic cut-off at end of charge
Pump	12V – DC – 5L/mn
Flow rate	5 L/mn
Pressure	Automatic pump cut-off at 4.8 bars
Maximum liquid temperature	43°C – 110° F
Wheels	Size 8" – puncture-proof
Attachments	Delivered with 5m hose 2 brass female quick-snap connections



Two male cap quick connectors for protecting the hose connectors during transport

2 built-in brackets for transporting the hose and 2 tools



Tank cap + filling filter

Water Tanks delivered complete with:

- 1 tank
- 1 x 5m flexible length
- 2 brass quick connectors mounted on the hose
- 1 battery
- 1 charger
- 1 instruction manual

Optional:

- 12v/220v adapter for connecting the charger to a 12v car lighter socket
- ¼ quarter turn valve with a male/female quick connector

Detail under the front of the tank for easier grip



PUMP OUTLET
←

CONTROL AND COMMAND AREA

- Voltmeter for checking the battery charge
- Socket for connecting the battery charger
- Fuse
- ON-OFF switch



SETTING UP THE WATER TANK

Always ensure that the Water Tank is level and on a stable base.

Ensure that the inside of the tank is clean.

Always use the filter basket when filling the tank.

Once the tank is filled, screw and tighten the cap to prevent leaks.

STARTING THE WATER TANK

Connect the hose between the device and the Water Tank.

Check that the quick connectors are snapped correctly.

The start switch has two settings. 'O' depressed is the stop position.

Pressing 'I' in on the switch will operate the pump at full power.

There is a fuse to the left of the switch. If the pump does not start up, check and, if required, replace it.

There is a voltmeter above the charger showing the remaining battery charge.



It has 3 red, yellow and green LEDs.

Green and yellow LEDs show that the battery is charged and you can use the Water Tank.

The green LED going out with the yellow one remaining lit shows that the battery needs charging.

Continuing to use the Water Tank with the single LED yellow lit can permanently render the battery unserviceable.

The red LED lit shows a battery surge. Stop using the Water Tank and change the battery.



CHARGING THE BATTERY

Connect the charger's plug to a 110v or 220v socket and a green LED lights up showing that the charger is working and correctly connected.

On the Water Tank's control panel, lift the socket flap between the voltmeter and the switch and connect the charger's socket to it.

The LED will turn red. This shows that the charger is charging the battery.

The LED changing green shows that the battery is recharged and the Water Tank can be used.

The LED flashing red means that there is a problem with the battery and it cannot be charged. Contact your supplier to resolve the problem.

As an option, the charger can be connected to the 12v/220v adapter (photo opposite) allowing charging in any vehicle with a cigarette lighter socket.



BATTERY

To guarantee maximum battery life, ensure that it is charged at least once every three months.

Do not throw the battery away in a bin reserved for household waste.

Do not incinerate the battery. Local waste management and recycling bodies have information about how to dispose of them correctly or recycle them in accordance with environmental regulations.



ADJUSTMENT

An optional 1/4 turn brass valve (photo opposite in closed position) will allow the flow rate to be fine tuned.

If you move the Water Tank, never keep this valve connected to the Water Tanks outlet. The pump outlet can break if struck.

Ideally, connect it to the powered device.



AUTOMATIC STOP

If the flow from the Water Tank is halted, for example with a stop valve, the Water Tank will detect it and automatically stop the pump. When the valve is opened again, the pump will automatically restart.

CLEANING

If using the Water Tank with product other than water:

Set the switch to 'O'

Completely drain the tank using the draining cap under the tank.

Once the tank is empty, rinse it with clean water.

Screw the draining cap back on.

Refill the tank with clean water.

Set the switch to 'I'

Allow the clean water to flow and clean the entire circuit
(pump, hose and nozzle).

If using soluble powder, pay particular attention to rinsing. Product drying in the pump could lead to irreparable damage.

If using the Water Tank with water:

Completely drain the tank using the draining cap under the tank.

Screw the draining cap back on.

Set the switch to 'I'

Set the switch to 'O' when no more water comes out.

USE IN WINTER

The Water Tank is not protected from freezing. We advise that you do not store it where it could freeze.

Freezing can irreparably damage the pump, the hoses and the tank.

Proceed as follows if placing the Water Tank somewhere that will not freeze is not possible:

Drain the tank using the draining cap under the tank.

Once the tank is empty, screw the draining cap back on.

Set the switch to 'I'

Set the switch to 'O' when no more water comes out

TRANSPORT

Before transporting the Water Tank, ensure that the switch is set to 'O'.

Always transport the Water tank in a vertical position.

Wind the hose around the built-in brackets (see page 6).

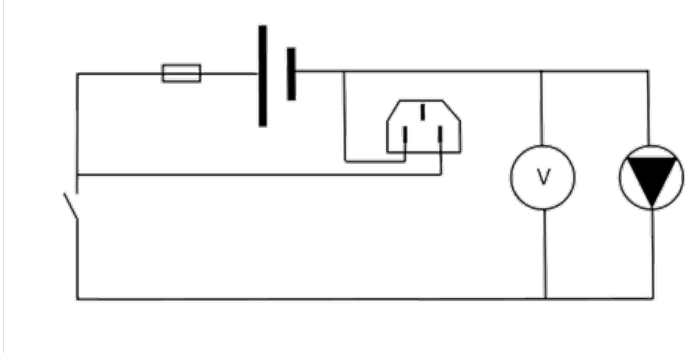
Connect the hose's quick connections to the places provided for inside the handle (see page 6).

Never transport the Water Tank with chemical product in the tank.

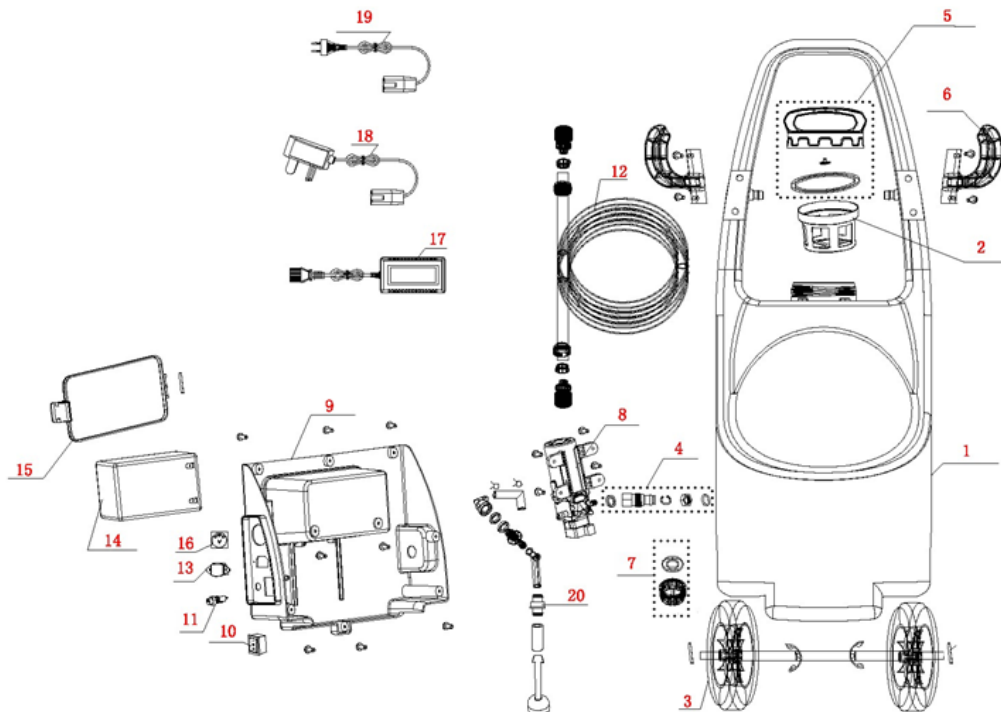
Never transport the Water Tank with the hose or 1/4 turn valve connected to the pump. If struck, the tube from the pump could break requiring the pump to be completely replaced.

Regularly inspect the tank and remove any solid material found inside it.
Check that the hoses are not pierced.
To keep this device in good working order, please clean it at the end of every day of use.
Parts wear out with time. Regularly examine the Water Tank for worn, missing or broken parts. Ask for original parts in the event of repairs. Examine screws and check that they are tight. A loose crew could lead to an accident or damage the device. Fully tighten any loose screws.
Charge the battery at least once every three months.

CIRCUIT DIAGRAM



EXPLODED VIEW*



Item	Item
1	ICS tank
2	Filling filter basket
3	Wheel
4	Threaded male quick connection subassembly
5	Tank cap subassembly
6	Built-in brackets
7	Draining cap and gasket
8	12v pump
9	Rear cover
10	Switch
11	10A fuse assembly and fuse holder

12	5m water hose
13	Charger plug
14	12v 15Ah battery
15	Charger access flap
16	Voltmeter showing battery discharge
17	Charger
18	UK charger power cord
19	Continental Europe charger power cord
20	Non-return valve
NR	12v - 220v adapter
NR	1/4 turn male female valve

*Prices and availabilities are on request.

EC DECLARATION OF CONFORMITY

ROTOLINK
25 STATION ROAD
KINGS HEATH
B147SR
BIRMINGHAM
ENGLAND

Déclare par la présente que le **WATER TANK 40**
Hereby declares that **WATER TANK 40**

A été fabriqué en conformité avec les directives :
Was manufactured in conformity with the:

EC Machinery directive: 2006/42/EC, IEC 60335-1, IEC 60335-2-29

EC ROHS Directive 2011/65/EU

EC REACH Directive EC N°1907/2006

EC WEEE Directive (2002/96/EC)

EC Electromagnetic Compatibility: 2014/30/EU

EC Product safety Directive 2001/95/EC

EC Low Voltage Directive 2014/35/EC

Laboratoire de test : ENTE Certificazione Macchine - N°2T160401.TDP0N16

Test laboratory

Signature

Date: 25/03/2019

Eric COURTIAL

**ICS, Blount, Inc.
4909 SE International Way
Portland, OR 97222, USA
Tel 800.321.1240 Fax 503.653.4393**

**ICS, Blount Europe S.A.
Rue Emile Francqui, 5
1435 Mont-Saint-Guibert, Belgium
Tel +32 10 301 251 Fax +32 10 301 259**

**europa.marketing@icsdiamondtools.com
icsdiamondtools.com**