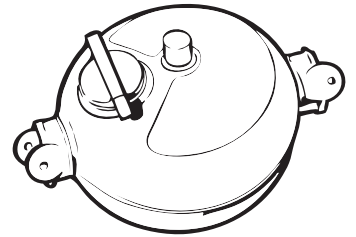


## Safety and operating instructions

### Lubricators

- Ⓡ Prescriptions de sécurité et instructions pour l'opérateur  
Graisseurs
- Ⓡ Sicherheits- und Betriebsanleitung  
Schmierapparate
- Ⓡ Instrucciones de seguridad y de funcionamiento  
Lubricadores
- Ⓡ Instruções de segurança e operação  
Lubrificadores
- Ⓡ Istruzioni per la sicurezza e per l'uso  
Lubrificatori
- Ⓡ Veiligheidsvoorschriften en bedieningshandleiding  
Smeerapparaten
- Ⓡ Οδηγίες ασφάλειας και χειρισμού  
Lipantqrew
- Ⓡ Turvallisuusohjeet ja käyttöohje  
Voitelulaitteet
- Ⓡ Sikkerhedsinstruktioner og betjeningsvejledning  
Smøreapparater
- Ⓡ Sikkerhetsinstrukser og bruksanvisning  
Smøreapparater
- Ⓡ Säkerhetsinstruktion och instruktionsbok  
Smörjapparater
- Ⓡ Instrukcje bezpieczeństwa i obsługi  
Smarownice





# Contents

ENGLISH.....	4
FRANÇAIS.....	12
DEUTSCH.....	20
ESPAÑOL.....	28
PORTUGUÊS.....	36
ITALIANO.....	46
NEDERLANDS.....	54
ΕΛΛΗΝΙΚΑ.....	62
SUOMI.....	72
DANSK.....	80
NORSK.....	88
SVENSKA.....	96
POLSKI.....	104

ENGLISH

# Contents

- Introduction..... 5
- About the Safety and operating instructions..... 5
- Safety instructions..... 6
  - Safety signal words..... 6
  - Personal precautions and qualifications..... 6
    - Personal protective equipment..... 6
    - Drugs, alcohol or medication..... 6
  - Installation, precautions..... 6
  - Operation, precautions..... 6
  - Maintenance, precautions..... 7
  - Storage, precautions..... 7
- Overview..... 8
  - Design and function..... 8
  - Main parts..... 8
  - Labels..... 8
    - Safety label..... 8
- Installation..... 8
  - Hoses and connections..... 8
  - Lubrication..... 9
    - Oil adjustment..... 9
- Operation..... 9
  - Operating..... 9
    - Filling the lubricator with oil..... 9
- Maintenance..... 9
  - Every day..... 9
  - Periodic maintenance..... 10
  - Assembly instruction..... 10
- Troubleshooting..... 10
- Storage..... 10
- Disposal..... 10
- Technical data..... 11
  - Machine data..... 11

## Introduction

Thank you for choosing a product from Atlas Copco. Since 1873, we have been committed to finding new and better ways of fulfilling our customers' needs. Through the years, we have developed innovative and ergonomic product designs that have helped customers improve and rationalize their daily work.

Atlas Copco has a strong global sales and service network, consisting of customer centers and distributors worldwide. Our experts are highly trained professionals with extensive product knowledge and application experience. In all corners of the world, we can offer product support and expertise to ensure that our customers can work at maximum efficiency at all times.

For more information please visit: [www.atlascopco.com](http://www.atlascopco.com)

Atlas Copco Construction Tools AB  
105 23 Stockholm  
Sweden

## About the Safety and operating instructions

The aim of the instructions is to provide you with knowledge of how to use the machine in an efficient, safe way. The instructions also give you advice and tell you how to perform regular maintenance on the machine.

Before using the machine for the first time you must read these instructions carefully and understand all of them.

## Safety instructions

To reduce the risk of serious injury or death to yourself or others, read and understand the Safety and operating instruction before installing, operating, repairing, maintaining, or changing accessories on the machine.

Post this Safety and operating instruction at work locations, provide copies to employees, and make sure that everyone reads the Safety and operating instruction before operating or servicing the machine.

In addition, the operator or the operator's employer must assess the specific risks that may be present as a result of each use of the machine.

## Safety signal words

The safety signal words Danger, Warning and Caution have the following meanings:

<b>DANGER</b>	Indicates a hazardous situation which, if not avoided, will result in death or serious injury.
<b>WARNING</b>	Indicates a hazardous situation which, if not avoided, could result in death or serious injury.
<b>CAUTION</b>	Indicates a hazardous situation which, if not avoided, could result in minor or moderate injury.

## Personal precautions and qualifications

Only qualified and trained persons may operate or maintain the machine. They must be physically able to handle the bulk, weight, and power of the tool. Always use your common sense and good judgement.

### Personal protective equipment

Always use approved protective equipment. Operators and all other persons in the working area must wear protective equipment, including at a minimum:

- Impact resistant eye protection with side protection
- Protective gloves

### Drugs, alcohol or medication

#### ▲ **WARNING** Drugs, alcohol or medication

Drugs, alcohol or medication may impair your judgment and powers of concentration. Poor reactions and incorrect assessments can lead to severe accidents or death.

- ▶ Never use the machine when you are tired or under the influence of drugs, alcohol or medication.
- ▶ No person who is under the influence of drugs, alcohol or medication may operate the machine.

## Installation, precautions

### ▲ **DANGER** Whipping air hose

A compressed air hose that comes loose can lash around and cause personal injury or death. To reduce this risk:

- ▶ Check that the compressed air hose and the connections are not damaged, replace if necessary.
- ▶ Check that all compressed air connections are properly attached.
- ▶ Never carry a pneumatic machine by the air hose.
- ▶ Never attempt to disconnect a compressed air hose that is pressurized. First switch off the compressed air at the compressor and then bleed the machine by activating the start and stop device.
- ▶ Never point a compressed air hose at yourself or anyone else. To avoid the risk of getting injured, never use compressed air to blow for example dust, dirt etc. from your clothes.
- ▶ Do not use quick disconnect couplings at tool inlet. Use hardened steel (or material with comparable shock resistance) threaded hose fittings.
- ▶ Whenever universal twist couplings (claw couplings) are used, we recommend that lock pins are installed and whipcheck safety cables are used to safeguard against possible hose to tool and hose to hose connection failure.

## Operation, precautions

### ▲ **DANGER** Pressurized lubricator hazard

When the lubricator is connected to a compressed air line, the oil chamber is pressurized. If the filler plug is loosened, there is a risk of oil being ejected which can cause personal injury.

- ▶ Always disconnect the lubricator from the compressed air line before loosening the filler plug.

**⚠ DANGER Ejection of the oil dosage screw hazard**

The lock ring is a safety stop that prevents the oil dosage screw from being ejected. If the oil dosage screw comes loose it can be ejected and cause personal injury.

- ▶ Never remove the lock ring.
- ▶ Never adjust oil dosage if the lock ring is missing.

**⚠ WARNING Slipping, tripping and falling hazards**

There is a risk of slipping or tripping or falling, for example tripping on the hoses or on other objects. Slipping or tripping or falling can cause injury. To reduce this risk:

- ▶ Always make sure that no hose or other object is in your way or in any other person's way.

**⚠ DANGER Electrical hazard**

The machine is not electrically insulated. If the machine comes into contact with electricity, serious injuries or death may result.

- ▶ Never operate the machine near any electric wire or other source of electricity.
- ▶ Make sure that there are no concealed wires or other sources of electricity in the working area.

## Maintenance, precautions

---

**⚠ WARNING Machine modification**

Any machine modification may result in bodily injuries to yourself or others.

- ▶ Never modify the machine. Modified machines are not covered by warranty or product liability.
- ▶ Always use original parts, insertion tools and accessories approved by Atlas Copco.
- ▶ Change damaged parts immediately.
- ▶ Replace worn components in good time.

## Storage, precautions

---

- ◆ Keep the machine and tools in a safe place, out of the reach of children and locked up.

## Overview

To reduce the risk of serious injury or death to yourself or others, read the Safety instructions section found on the previous pages of this manual before operating the machine.

## Design and function

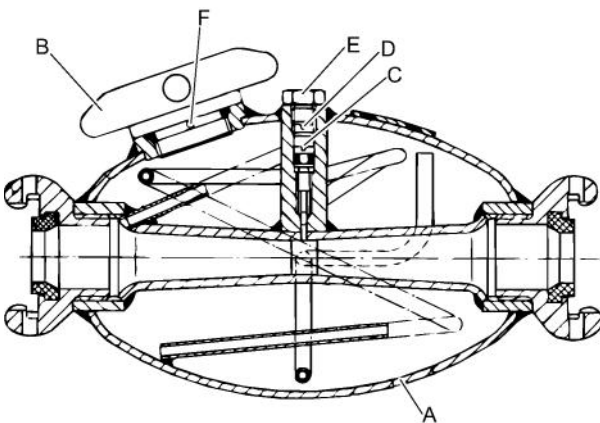
BLG 30 is designed to lubricate compressed air equipment using mineral oil. No other use is permitted.

Air flows through the lubricator from the air inlet, partly directly to the pneumatic machine and partly through the air pipe into the oil chamber so that static pressure acts on the oil level in the lubricator. The air forces the oil up into the oil pipe through both the pipe opening and the small drilled holes in the oil pipe, finally reaching the oil dosage screw.

The through-flow pipe is pinched opposite the oil duct (Venturi), thus increasing the flow rate of the compressed air and reducing the air pressure at the mouth of the oil duct.

Because of the pressure difference, the lubricating oil is forced out into the through-flow pipe where the oil is atomized and carried with the air via the hose to the pneumatic machine. The supply of oil can be regulated by using the oil dosage screw to open or close the oil duct.

## Main parts

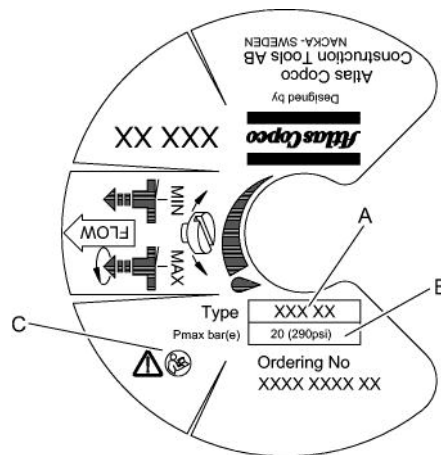


- A. Oil chamber
- B. Filler plug
- C. Oil dosage screw
- D. Lock ring
- E. Plug
- F. Venting duct

## Labels

The machine is fitted with labels containing important information about personal safety and machine maintenance. The labels must be in such condition that they are easy to read. New labels can be ordered from the spare parts list.

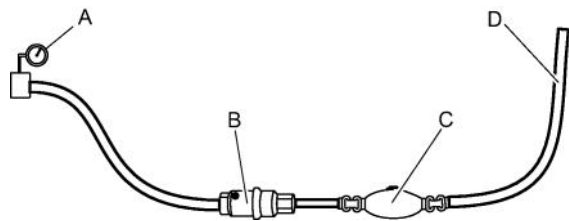
### Safety label



- A. Machine type
- B. Maximum permitted compressed air pressure
- C. The warning symbol together with the book symbol means that the user must read the safety and operating instructions before the machine is used for the first time.

## Installation

### Hoses and connections



- A. Compressed air source
- B. Water separator (optional)
- C. Lubricator
- D. Max. 3 m (10 ft) compressed air hose between the lubricator and the pneumatic machine.



- ◆ The maximum permissible air pressure, 20 bar (e) (290 psi), must not be exceeded.
- ◆ Blow any impurities out of the compressed air hose before connecting it to the lubricator.
- ◆ For the BLG 30 a hose with a minimum internal diameter of 20-25 mm (¾-1 in.) must be used.
- ◆ There is an arrow on the lubricator to indicate the correct direction of air flow. When connecting the lubricator, make sure that the arrow points in the same direction as the air flow.

## Lubrication

The lubricant is important for the pneumatic machine's function and has a great impact on the useful service life. To guarantee good lubrication, the length of the air hose between the separate lubricator and the pneumatic machine must not exceed 3 meters.

Viscosity range	
Temperature °C (°F)	Viscosity
+15 to +50 (+59 to +122)	ISO VG 46–68 200-300 SUS
-20 to +15 (-4 to +59)	ISO VG 22–32 100-150 SUS

For the correct recommended lubrication oil, refer to the Safety and operating instruction for the pneumatic machine used together with the lubricator.

### Oil adjustment

BLG 30 is delivered with the oil dosage screw open 1 ½ turns. The oil dosage screw can be turned through a total of six complete turns. It is steplessly adjustable.

To adjust the oil dosage, do the following:

- ◆ Remove the protective plug.
- ◆ Insert a screwdriver through the hole in the lock ring to the oil dosage screw, which has grooves for the screwdriver.  
Clockwise reduces oil flow.  
Anticlockwise increases oil flow.
- ◆ Never unscrew or remove the lock ring. If the oil dosage screw become loose, the lock ring will prevent it from blowing out of the lubricator.
- ◆ Check the exhaust port of the pneumatic machine to see that sufficient lubrication is being exhausted.

BLG 30 must only be used together with mineral oil.

## Operation

### Operating

#### Filling the lubricator with oil

Always top up the lubricator with oil at the start of the shift.

- ◆ Switch off the air supply to the lubricator.
- ◆ Vent the air line, to remove trapped air.
- ◆ Clean around the outside of the filler plug to prevent dirt from entering the lubricator.
- ◆ Unscrew the filler plug by two turns, which opens the venting duct and release the remaining compressed air in the lubricator.
- ◆ Fill the lubricator with a mineral based oil.
- ◆ Re-fit and tighten the filler plug. The lubricator is now ready for use.

## Maintenance

Regular maintenance is a basic requirement for the continued safe and efficient use of the lubricator.

Follow the maintenance instructions carefully.

- ◆ Before starting maintenance on the lubricator, clean it in order to avoid exposure to hazardous substances.
- ◆ Use only authorised parts. Any damage or malfunction caused by the use of unauthorised parts is not covered by warranty or product liability.
- ◆ When cleaning mechanical parts with solvent, comply with appropriate health and safety regulations and ensure there is satisfactory ventilation.
- ◆ For major service to the lubricator, contact your nearest authorised workshop.

### Every day

Before undertaking any maintenance on the lubricator, always switch off the air supply and then disconnect the air hose from the lubricator.

- ◆ Clean and inspect the lubricator and its functions each day before work commences.
- ◆ Conduct a general inspection for leaks and damage.
- ◆ Check that the claw couplings are tightened and free from damage.

- ◆ Change damaged parts immediately.
- ◆ Replace worn components in good time.
- ◆ Make sure that all the attached and related equipment, such as hoses are properly maintained.

## Periodic maintenance

---

Once a year the lubricator must be dismantled and all parts be cleaned and checked. This work must be performed by authorised staff, trained for this task.

## Assembly instruction

---

When reassembling the claw couplings on the lubricator, apply LOCTITE® 577™ (LOCTITE is a registered trademark of Henkel Corporation. 577 is a trademark of Henkel Corporation).

## Troubleshooting

If the lubricator is not working properly, check the following points.

- ◆ Check the oil level.
- ◆ Check that the dimension and length of the air hose are according to the recommendations. See "Installation".
- ◆ Check for leakage around the filler plug.
- ◆ Make sure that there is no dirt in the oil chamber.
- ◆ If the lubricator function is still not satisfactory after this procedure, contact an authorised service workshop.

## Storage

- Clean the lubricator properly before storage, in order to avoid hazardous substances.
- If the lubricator is stored filled with oil, place it with the filler plug upwards to prevent oil from leaking out through the mouth of the air pipe.
- Always store the lubricator in a dry place.

## Disposal

A used machine must be treated and disposed of in such a way that the greatest possible portion of the material can be recycled and any negative influence on the environment is kept as low as possible, and in respect to local restrictions.

## Technical data

### Machine data

---

Type	Weight kg (lb)	Volume l (oz)	Air flow range l/s (cfm)
BLG 30	3 (6.6)	1.3 (44)	25-134 (53-284)
BLG 30 US	3 (6.6)	1.3 (44)	25-134 (53-284)

## FRANÇAIS

**Sommaire**

Introduction.....	13
À propos des Prescriptions de sécurité et instructions pour l'opérateur.....	13
<b>Consignes de sécurité.....</b>	<b>14</b>
<b>Indications de sécurité.....</b>	<b>14</b>
<b>Précautions et qualifications du personnel.....</b>	<b>14</b>
Équipement de protection du personnel.....	14
Drogues, alcool ou médicaments.....	14
<b>Installation, précautions.....</b>	<b>14</b>
<b>Fonctionnement, précautions.....</b>	<b>15</b>
<b>Maintenance, précautions.....</b>	<b>15</b>
<b>Stockage, précautions.....</b>	<b>15</b>
<b>Vue d'ensemble.....</b>	<b>16</b>
<b>Conception et fonctionnement.....</b>	<b>16</b>
<b>Principales pièces.....</b>	<b>16</b>
<b>Étiquettes.....</b>	<b>16</b>
Étiquette de sécurité.....	16
<b>Installation.....</b>	<b>16</b>
<b>Flexibles et connexions.....</b>	<b>16</b>
<b>Lubrification.....</b>	<b>17</b>
Réglage de l'huile.....	17
<b>Commande.....</b>	<b>17</b>
<b>Utilisation.....</b>	<b>17</b>
Remplissage d'huile.....	17
<b>Maintenance.....</b>	<b>17</b>
<b>Chaque jour.....</b>	<b>18</b>
<b>Maintenance périodique.....</b>	<b>18</b>
<b>Instructions de montage.....</b>	<b>18</b>
<b>Recherche de pannes.....</b>	<b>18</b>
<b>Stockage.....</b>	<b>18</b>
<b>Destruction d'une machine usagée.....</b>	<b>18</b>
<b>Caractéristiques techniques.....</b>	<b>19</b>
<b>Caractéristiques de la machine.....</b>	<b>19</b>

## Introduction

Nous vous remercions d'avoir choisi un produit Atlas Copco. Depuis 1873, nous nous efforçons de trouver des solutions pertinentes et adaptées aux besoins de nos clients. Au fil des ans, nous avons développé des produits innovants et ergonomiques qui contribuent à l'amélioration et à la rationalisation du travail quotidien de nos clients.

Atlas Copco dispose d'un solide réseau de distribution et de service après-vente, constitué de centres de clientèle et de distributeurs, partout dans le monde. Nos experts sont des professionnels formés, bénéficiant d'un savoir-faire global en termes de produits et d'applications. Aux quatre coins du monde, nous sommes en mesure d'offrir le soutien et l'expérience requis pour garantir à nos clients une efficacité optimale et continue de leur activité.

Pour plus d'informations, veuillez consulter le site Web suivant :  
[www.atlascopco.com](http://www.atlascopco.com)

Atlas Copco Construction Tools AB  
105 23 Stockholm  
Sweden

## À propos des Prescriptions de sécurité et instructions pour l'opérateur

Ces instructions ont pour objectifs de vous apprendre à utiliser le produit de manière efficace et en toute sécurité. Ces instructions vous fournissent également des conseils et vous indiquent comment effectuer l'entretien régulier de votre produit.

Vous devez lire ces instructions attentivement et les comprendre avant d'utiliser le produit pour la première fois.

## Consignes de sécurité

Il convient de lire et d'assimiler les Prescriptions de sécurité et des instructions pour l'opérateur avant toute installation, utilisation, réparation, entretien ou remplacement d'accessoire sur la machine, afin de minimiser le risque de blessures graves ou de dommages pouvant entraîner la mort.

Affichez les Prescriptions de sécurité et instructions pour l'opérateur sur les différents sites de travail ; faites en des copies pour les employés et assurez-vous que chaque personne concernée a bien lu les Prescriptions de sécurité et instructions pour l'opérateur, avant d'utiliser ou d'intervenir sur la machine.

En outre, l'opérateur ou l'employeur doit évaluer les risques spécifiques pouvant survenir à la suite de chaque utilisation de la machine.

## Indications de sécurité

Les indications de sécurité Danger, Attention et Prudence ont les sens suivants :

<b>DANGER</b>	Indique une situation dangereuse qui, si elle n'est pas évitée, terminera par provoquer la mort ou des blessures graves.
<b>AVERTISSEMENT</b>	Indique une situation dangereuse qui, si elle n'est pas évitée, est de susceptible de provoquer la mort ou des blessures graves.
<b>ATTENTION</b>	Indique une situation dangereuse qui, si elle n'est pas évitée, est de susceptible de provoquer des blessures mineures à modérées.

## Précautions et qualifications du personnel

Seules des personnes qualifiées ou formées peuvent utiliser ou procéder à l'entretien de la machine. Elles doivent être physiquement aptes à manipuler le volume, le poids et la puissance de l'outil. Utilisez toujours votre jugement et votre bon sens.

## Équipement de protection du personnel

Utilisez toujours un équipement de protection individuelle homologué. Les opérateurs et toutes autres personnes séjournant sur la zone de travail doivent porter un équipement de protection individuelle, incluant au minimum :

- Protecteurs des yeux résistants aux chocs avec protection latérale
- Gants de protection

## Drogues, alcool ou médicaments

### ▲ AVERTISSEMENT Drogues, alcool ou médicaments

Les drogues, l'alcool ou les médicaments risquent d'avoir un effet négatif sur votre jugement et votre capacité de concentration. De mauvaises réactions et des évaluations incorrectes peuvent entraîner des accidents graves, voire la mort.

- ▶ N'utilisez jamais la machine lorsque vous êtes fatigué(e) ou sous l'influence de drogues, de l'alcool ou de médicaments.
- ▶ L'utilisation de la machine par une personne sous l'influence de drogues, de l'alcool ou de médicaments est strictement interdite.

## Installation, précautions

### ▲ DANGER Coup de fouet d'un flexible pneumatique

Un flexible d'air comprimé qui se détache risque de fouetter dans tous les sens et de provoquer des dommages corporels ou la mort. Pour réduire ce risque :

- ▶ Vérifiez que le flexible d'air comprimé et les raccords ne sont pas endommagés. Les remplacer si nécessaire.
- ▶ Vérifiez que les raccords d'air comprimé sont correctement fixés.
- ▶ Ne jamais porter une machine pneumatique par le flexible d'air.
- ▶ Ne jamais essayer de débrancher un flexible d'air comprimé sous pression. D'abord, coupez l'alimentation en air comprimé au niveau du compresseur, puis purgez la machine en activant le dispositif de marche/arrêt.
- ▶ Ne jamais pointer un flexible d'air comprimé sur quelqu'un ou sur soi. Afin d'éviter tout risque de blessure, ne jamais utiliser l'air comprimé pour nettoyer la poussière, les salissures, etc., sur vos vêtements.

- ▶ N'utilisez pas de raccords rapides à l'entrée de l'outil. Utilisez des raccords filetés en acier trempé (ou un matériau présentant une résistance aux chocs comparable).
- ▶ Chaque fois que des raccords universels (raccords à griffes) sont utilisés, nous recommandons de monter des goupilles de verrouillage et d'utiliser des câbles de sécurité pour tuyaux flexibles, afin d'empêcher tout relâchement d'un accouplement flexible - outil et tuyau - tuyau.

## Fonctionnement, précautions

### ▲ DANGER Dangers liés à l'huile sous pression

Lorsque le graisseur est connecté à une ligne d'air comprimé, le carter d'huile est sous pression. Si le bouchon de remplissage est desserré, il y a un risque de projection d'huile qui peut provoquer des dommages corporels.

- ▶ Toujours débrancher le graisseur de la conduite d'air comprimé avant de desserrer le bouchon de remplissage.

### ▲ DANGER Dangers liés à l'éjection de la vis de dosage d'huile

La bague de verrouillage est un arrêt de sécurité qui empêche la vis de dosage d'huile d'être éjectée. Si la vis de dosage d'huile se détache, elle peut être éjectée et provoquer des dommages corporels.

- ▶ Ne jamais retirer la bague de verrouillage.
- ▶ Ne jamais ajuster le dosage de l'huile si la bague de verrouillage n'est pas en place.

### ▲ AVERTISSEMENT Risques de glissades, de trébuchements et de chute

Il existe des risques de glissades, de trébuchements et de chute, par exemple sur des flexibles ou d'autres objets. Une glissade, un trébuchement ou une chute peut provoquer des blessures. Pour réduire ce risque :

- ▶ Toujours s'assurer qu'aucun flexible ou autre objet ne risque, d'une manière ou d'une autre, de gêner le passage d'une personne.

### ▲ DANGER Dangers électriques

La machine n'est pas isolée électriquement. Tout contact de la machine avec de l'électricité risque de provoquer des blessures graves ou la mort.

- ▶ N'utilisez jamais la machine près d'un câble électrique ou d'une autre source d'électricité.
- ▶ Assurez-vous de l'absence de câbles cachés ou d'autres sources d'électricité dans la zone de travail.

## Maintenance, précautions

### ▲ AVERTISSEMENT Modifications sur la machine

Toute modification sur la machine peut provoquer des blessures physiques à vous-même ou aux autres.

- ▶ Ne jamais modifier la machine. Toute machine modifiée n'est pas couverte par la garantie ou la responsabilité produits.
- ▶ Utilisez uniquement des pièces détachées, des outils d'insertion et des accessoires d'origine approuvés par Atlas Copco.
- ▶ Remplacez immédiatement les pièces endommagées.
- ▶ Remplacez les éléments ou pièces usés sans attendre.

## Stockage, précautions

- ◆ Conservez la machine et les outils bien verrouillés, dans un endroit sûr, hors de la portée des enfants.

## Vue d'ensemble

Il convient de lire attentivement la section des consignes de sécurité figurant sur les pages précédentes du présent document avant toute utilisation de la machine, afin de minimiser le risque de blessures graves ou de dommages pouvant entraîner la mort.

## Conception et fonctionnement

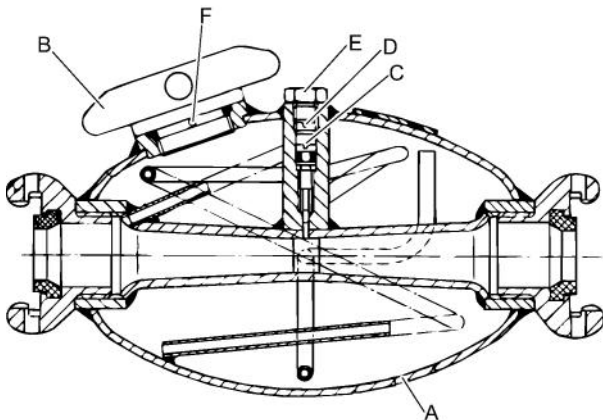
Le graisseur BLG 30 est destiné à la lubrification des machines pneumatiques avec des huiles minérales. Toute autre utilisation est interdite.

L'air arrive au raccord d'entrée, traverse le graisseur et passe en partie directement dans la machine et en partie dans le tube d'air dans le carter d'huile, de manière à créer une pression statique dans le graisseur. A travers l'orifice et les petits trous perforés du tube d'huile, l'air refoule l'huile vers le haut jusqu'à la vis de dosage.

Le tube d'écoulement, pourvu d'un étranglement au point de rencontre avec le canal d'huile (tube Venturi), augmente la vitesse d'écoulement de l'air et réduit la pression d'air à l'entrée du canal d'huile.

Par suite de la différence de pression créée, l'huile est refoulée dans le tube d'écoulement où elle est atomisée et véhiculée avec l'air jusqu'à la machine pneumatique. Le dosage de huile se fait en réglant l'ouverture du canal d'huile avec la vis de dosage.

## Principales pièces

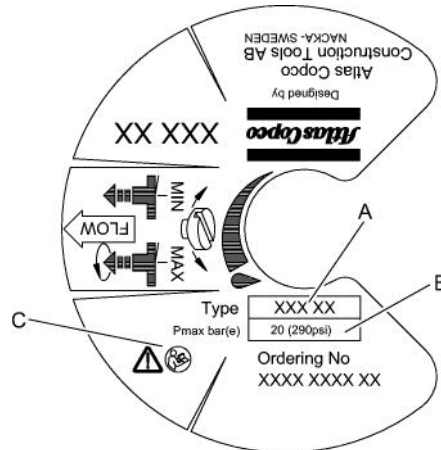


- A. Carter d'huile
- B. Bouchon de remplissage
- C. Vis de dosage d'huile
- D. Bague de verrouillage
- E. Bouchon
- F. Conduit de purge d'air

## Étiquettes

La machine comporte des étiquettes contenant des informations importantes pour la sécurité des personnes et l'entretien de la machine. Les étiquettes doivent être faciles à lire. De nouvelles étiquettes peuvent être commandées en utilisant la liste des pièces détachées.

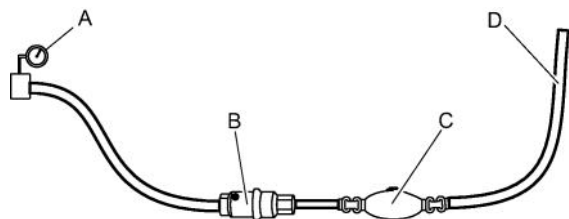
### Étiquette de sécurité



- A. Type de machine
- B. Pression d'air comprimé maximale autorisée
- C. Le symbole « Attention » accompagné du symbole du livre signifie que l'utilisateur doit lire les « Prescriptions de sécurité et instructions pour l'opérateur » avant la première utilisation de la machine.

## Installation

### Flexibles et connexions



- A. Source d'air comprimé
- B. Séparateur d'eau (en option)
- C. Graisseur
- D. 3 m (10 ft) maximum de flexible d'air comprimé entre le graisseur et la machine pneumatique.



- ◆ Ne dépassez pas la pression d'air maximale autorisée pour la machine - 20 bar (e) (290 psi).
- ◆ Éliminez toute impureté du flexible d'air comprimé avant de le brancher au graisseur.
- ◆ Sur le BLG 30, un tuyau souple d'un diamètre interne minimal de 20 à 25 mm (¾-1 in.) doit être utilisé.
- ◆ Une flèche sur le dessus du graisseur indique le sens d'écoulement correct de l'air. Lors de la connexion du graisseur, assurez-vous que la flèche pointe dans le même sens que l'écoulement d'air.

## Lubrification

Le lubrifiant joue un rôle important dans le fonctionnement de la machine pneumatique et a une grande incidence sur sa durée de vie. Pour garantir une bonne lubrification, la longueur du flexible d'air entre le graisseur et la machine pneumatique ne doit pas dépasser 3 mètres.

### Plage de viscosité

Température °C (°F)	Viscosité
+15 à +50 (+59 à +122)	ISO VG 46-68 200-300 SUS
-20 à +15 (-4 à +59)	ISO VG 22-32 100-150 SUS

Pour connaître l'huile de lubrification correcte recommandée, vous reporter aux Prescriptions de sécurité et instructions pour l'opérateur de la machine pneumatique utilisée avec le graisseur.

### Réglage de l'huile

Le graisseur BLG 30 est livré avec la vis de dosage d'huile ouverte d'un tour et demi. La vis de dosage d'huile peut être tournée de six tours complets. Elle est réglable en continu.

Pour régler le dosage d'huile, procédez comme suit :

- ◆ Déposez le bouchon de protection.
- ◆ Introduire un tournevis dans l'orifice de la bague de verrouillage et actionner la vis de dosage d'huile qui est pourvue d'une rainure.  
Rotation dans le sens horaire = diminution du débit d'huile.  
Rotation dans le sens antihoraire = augmentation du débit d'huile
- ◆ Pour des raisons de sécurité, ne jamais desserrer ou retirer la bague de verrouillage : elle empêche l'éjection de la vis de dosage d'huile au cas où celle-ci se détache.

- ◆ Contrôlez l'orifice d'échappement de la machine pneumatique pour vérifier que la lubrification est suffisante.

Le graisseur BLG 30 doit uniquement être utilisé avec des huiles minérales.

## Commande

## Utilisation

### Remplissage d'huile

Toujours faire l'appoint du graisseur avec de l'huile avant les travaux d'une nouvelle équipe.

- ◆ Fermez le robinet d'alimentation en air au graisseur.
- ◆ Purgez la conduite d'air afin d'éliminer l'air emprisonné.
- ◆ Nettoyez autour du bouchon de remplissage pour prévenir l'introduction d'impuretés dans le graisseur.
- ◆ Dévissez le bouchon de remplissage de deux tours pour ouvrir le canal de purge et laisser échapper l'air résiduel dans le graisseur.
- ◆ Remplir le graisseur avec une huile minérale de qualité recommandée.
- ◆ Remontez et serrez le bouchon de remplissage. Le graisseur est maintenant prêt à l'emploi.

## Maintenance

Une maintenance régulière est une condition fondamentale pour que le graisseur reste un outil sûr et efficace. Respectez soigneusement les instructions d'entretien.

- ◆ Avant de commencer l'entretien du graisseur, nettoyez-le afin d'éviter toute exposition aux substances dangereuses.
- ◆ N'utilisez que des pièces de rechange autorisées. Aucun dommage ou mauvais fonctionnement dû à l'utilisation de pièces non autorisées n'est couvert par la garantie ou la responsabilité produits.
- ◆ Lors du nettoyage des pièces mécaniques avec un solvant, assurez-vous que vous respectez bien les normes de sécurité et de santé et que la ventilation est suffisante.
- ◆ Pour un entretien plus complet du graisseur, contactez l'atelier agréé le plus proche.

## Chaque jour

Avant d'effectuer l'entretien du graisseur, coupez toujours l'alimentation en air puis débranchez le tuyau d'air du graisseur.

- ◆ Nettoyez et inspectez le graisseur et ses fonctionnalités chaque jour, avant son utilisation.
- ◆ Effectuez une inspection générale des fuites et dommages.
- ◆ Vérifiez que les raccords à griffes sont serrés et exempts de dommages.
- ◆ Remplacez immédiatement les pièces endommagées.
- ◆ Remplacez les pièces usées sans attendre.
- ◆ Assurez-vous que tous les équipements auxiliaires ou connexes, comme les tuyaux flexibles, sont correctement entretenus.

## Maintenance périodique

Une fois par an, le graisseur doit être démonté et toutes les pièces doivent être nettoyées et examinées. Ce travail doit être effectué par un personnel autorisé et formé à cette tâche.

## Instructions de montage

Lors du remontage des raccords à griffes sur le graisseur, appliquez du LOCTITE® 577™ (LOCTITE est une marque déposée de Henkel Corporation. 577 est une marque déposée de Henkel Corporation).

## Recherche de pannes

Vérifiez les points suivants si le graisseur ne fonctionne pas correctement :

- ◆ Contrôlez le niveau d'huile.
- ◆ Vérifiez que les dimensions et la longueur du flexible d'air sont conformes aux recommandations. Voir « Installation ».
- ◆ Vérifiez l'absence de fuites autour du bouchon de remplissage.
- ◆ Assurez-vous qu'il n'y a pas d'impuretés dans le carter d'huile.
- ◆ Si le fonctionnement du graisseur n'est toujours pas satisfaisant après cette procédure, contactez un atelier homologué.

## Stockage

- Avant de l'entreposer, nettoyez minutieusement le graisseur afin d'éviter toute exposition aux substances dangereuses.
- Si le graisseur est entreposé rempli d'huile, placez-le avec le bouchon de remplissage vers le haut pour empêcher les fuites d'huile par la sortie du tuyau d'air.
- Entreposez toujours le graisseur dans un endroit sec.

## Destruction d'une machine usagée

Toute machine usagée doit être traitée et détruite de telle manière que la plus grande partie des matériaux puisse être recyclée et que tout impact négatif sur l'environnement soit aussi faible que possible, et conformément aux réglementations locales.

## Caractéristiques techniques

### Caractéristiques de la machine

Type	Poids kg (lb)	Volume l (oz)	Plage de débit d'air l/s (cfm)
BLG 30	3 (6,6)	1,3 (44)	25-134 (53-284)
BLG 30 US	3 (6,6)	1,3 (44)	25-134 (53-284)

## DEUTSCH

# Inhalt

Einleitung .....	21
Informationen zur Sicherheits- und Betriebsanleitung .....	21
<b>Sicherheitshinweise</b> .....	22
<b>Sicherheits-Signalworte</b> .....	22
<b>Personliche Vorsichtsmaßnahmen und Qualifikationen</b> .....	22
Schutzausrüstung .....	22
Drogen, Alkohol oder Medikamente .....	22
<b>Installation, Vorsichtsmaßnahmen</b> .....	22
<b>Betrieb, Vorsichtsmaßnahmen</b> .....	23
<b>Wartung, Vorsichtsmaßnahmen</b> .....	23
<b>Lagerung, Vorsichtsmaßnahmen</b> .....	23
<b>Übersicht</b> .....	24
<b>Konstruktion und Funktion</b> .....	24
<b>Hauptkomponenten</b> .....	24
<b>Etiketten</b> .....	24
Sicherheitsschild .....	24
<b>Installation</b> .....	24
<b>Schläuche und Anschlüsse</b> .....	24
<b>Schmierung</b> .....	25
Einstellen der Öldosierung .....	25
<b>Betrieb</b> .....	25
<b>Betrieb</b> .....	25
Schmiervorrichtung mit Öl füllen .....	25
<b>Wartung</b> .....	25
<b>Täglich</b> .....	26
<b>Regelmäßige Wartung</b> .....	26
<b>Montageanweisung</b> .....	26
<b>Fehlersuche</b> .....	26
<b>Lagerung</b> .....	26
<b>Entsorgung</b> .....	26
<b>Technische Daten</b> .....	27
<b>Maschinendaten</b> .....	27

## Einleitung

Wir danken Ihnen für die Wahl eines Produkts von Atlas Copco! Seit 1873 sind wir bestrebt, die Wünsche und den Bedarf unserer Kunden optimal zu decken. Unsere innovativen und ergonomischen Produktlösungen dienen der Kostensenkung und somit der besseren Rentabilität der Unternehmenstätigkeit des Kunden.

Atlas Copco verfügt mit seinen Kundenzentren und Vertragshändlern weltweit über ein umfangreiches Vertriebs- und Servicenetz. Unsere Fachleute sind Spezialisten mit umfassenden Produktkenntnissen und Anwendungserfahrungen. Wir bieten unseren Kunden Service und Know-how in allen Teilen der Welt, um optimale Betriebseffizienz zu gewährleisten.

Besuchen Sie gern unsere Website für weitere Informationen:

[www.atlascopco.com](http://www.atlascopco.com)

Atlas Copco Construction Tools AB

105 23 Stockholm

Sweden

## Informationen zur Sicherheits- und Betriebsanleitung

Ziel dieser Anleitung ist es, Sie mit der sicheren und effizienten Bedienung der Maschine vertraut zu machen. Die Anleitung enthält auch Hinweise zur Durchführung regelmäßiger Wartungsarbeiten an der Maschine.

Lesen Sie bitte diese Anleitung vor der ersten Benutzung der Maschine genau durch.

## Sicherheitshinweise

Lesen Sie bitte vor Installation, Betrieb, Reparatur und Wartung der Maschine bzw. vor dem Wechsel von Zubehör die Sicherheitshinweise und die Betriebsanleitung sorgfältig durch, um Unfallrisiken, die mit ernsthaften Verletzungen oder Lebensgefahr verbunden sein können, zu vermeiden.

Schlagen Sie diese Sicherheitshinweise und Betriebsanleitung am Arbeitsplatz an. Verteilen Sie Kopien an die Mitarbeiter. Stellen Sie sicher, dass jeder Mitarbeiter vor dem Betrieb der Maschine oder vor Wartungsarbeiten diese Sicherheitshinweise und Betriebsanleitung liest.

Darüber hinaus sollten der Bediener oder der Arbeitgeber des Bedieners die spezifischen Risiken bewerten, die bei jeder Anwendung dieser Maschine bestehen.

## Sicherheits-Signalworte

Die Sicherheits-Signalworte Gefahr, Warnung und Achtung haben folgende Bedeutung:

<b>GEFAHR</b>	Hinweis auf eine Gefahrensituation, die bei Nichtbeachtung zu schweren oder lebensgefährlichen Unfällen führt.
<b>WARNUNG</b>	Hinweis auf eine Gefahrensituation, die bei Nichtbeachtung zu schweren oder lebensgefährlichen Unfällen führen kann.
<b>VORSICHT</b>	Hinweis auf eine Gefahrensituation, die bei Nichtbeachtung zu geringen oder leichten Verletzungen führen kann.

## Personliche Vorsichtsmaßnahmen und Qualifikationen

Die Maschine darf nur von qualifiziertem und geschultem Personal bedient oder gewartet werden. Dieses muss physisch in der Lage sein, mit Größe, Gewicht und Leistung der Maschine umzugehen. Verlassen Sie sich immer auf Ihren gesunden Menschenverstand.

## Schutzausrüstung

Verwenden Sie stets geeignete Schutzausrüstung! Von Mitarbeitern und anderen Personen im Arbeitsbereich ist mindestens folgende Schutzausrüstung zu tragen:

- Schutzbrille (mit seitlicher Abschirmung der Augen)
- Schutzhandschuhe

## Drogen, Alkohol oder Medikamente

### ▲ **WARNUNG Drogen, Alkohol oder Medikamente**

Drogen, Alkohol oder Medikamente können Ihre Urteilskraft und Konzentrationsfähigkeit einschränken. Schlechte Reaktionsfähigkeit und Fehleinschätzungen können zu schweren Verletzungen führen.

- ▶ Bedienen Sie die Maschine niemals, wenn Sie müde sind oder unter dem Einfluss von Drogen, Alkohol oder Medikamenten stehen.
- ▶ Personen, die unter dem Einfluss von Drogen, Alkohol oder Medikamenten stehen, dürfen die Maschine nicht bedienen.

## Installation, Vorsichtsmaßnahmen

### ▲ **GEFAHR Ausschlagender Druckluftschlauch**

Ein Druckluftschlauch, der sich gelöst hat, kann ausschlagen und lebensgefährliche Verletzungen verursachen. Zur Verhütung dieses Unfallrisikos ist Folgendes zu beachten:

- ▶ Stellen Sie sicher, dass Druckluftschlauch und Anschlüsse unbeschädigt sind, und ersetzen Sie diese gegebenenfalls.
- ▶ Stellen Sie sicher, dass sämtliche Druckluftanschlüsse korrekt befestigt sind.
- ▶ Tragen Sie eine Druckluftmaschine niemals am Druckluftschlauch.
- ▶ Ein unter Druck stehender Druckluftschlauch darf unter keinen Umständen abgebaut oder demontiert werden. Schalten Sie zuerst die Druckluft am Kompressor aus und lassen Sie die Maschine durch Betätigen des Start- und Stoppschalters auslaufen.
- ▶ Richte einen Druckluftschlauch nie auf eine andere Person oder den eigenen Körper! Um Verletzungen zu vermeiden, darf Druckluft niemals zum Sauberblasen von Kleidung oder auf ähnliche Weise zweckentfremdet werden.

- ▶ Verwenden Sie an der Werkzeugaufnahme keine Schnellkupplungen. Verwenden Sie Schlaucharmaturen mit Gewinde und aus gehärtetem Stahl (oder aus Material mit vergleichbarer Stoßfestigkeit).
- ▶ Bei Verwendung von Universaldrehkupplungen (Klauenkupplungen) empfehlen wir die Installation von Sicherungsstiften und Sicherungskabeln (die das Umherschlagen von Druckschläuchen verhindern), um den erforderlichen Schutz zu gewährleisten, falls eine Verbindung von Werkzeug zu Schlauch oder von Schlauch zu Schlauch versagt.

## Betrieb, Vorsichtsmaßnahmen

---

### ▲ GEFAHR Gefahr durch unter Druck stehende Schmiervorrichtung

Wenn die Schmiervorrichtung an eine Druckluftleitung angeschlossen ist, steht die Ölkammer unter Druck. Wenn der Verschlussstopfen lose ist, besteht die Gefahr, dass Öl in scharfem Strahl austritt, was zu ernsthaften Verletzungen führen kann.

- ▶ Trennen Sie die Schmiervorrichtung stets von der Druckluftleitung, bevor Sie den Verschlussstopfen lösen.

### ▲ GEFAHR Gefahr durch Absprennen der Öldosierschraube

Der Sperring ist eine Sicherung, die verhindert, dass die Öldosierschraube abgesprengt wird. Wenn die Öldosierschraube lose ist, kann sie abgesprengt werden und Verletzungen verursachen.

- ▶ Entfernen Sie niemals den Sperring.
- ▶ Stellen Sie die Öldosierung niemals ein, wenn der Sperring fehlt.

### ▲ WARNUNG Gefahren durch Ausrutschen, Stolpern und Hinfallen

Es besteht die Gefahr, auszurutschen, zu stolpern oder hinzufallen, z. B. Stolpern über Schläuche oder andere Gegenstände. Ausrutschen, Stolpern oder Hinfallen kann zu Verletzungen führen. Zur Verhütung dieses Unfallrisikos ist Folgendes zu beachten:

- ▶ Stellen Sie stets sicher, dass Ihnen oder anderen Personen keine Schläuche oder andere Objekte in Weg sind.

### ▲ GEFAHR Gefahren durch elektrischen Strom

Die Maschine ist nicht elektrisch isoliert. Wenn die Maschine mit Elektrizität in Kontakt kommt, kann dies zu ernsthaften Verletzungen oder zum Tod führen.

- ▶ Betreiben Sie die Maschine niemals in der Nähe von elektrischen Leitungen oder anderen Stromquellen.
- ▶ Stellen Sie sicher, dass innerhalb des Arbeitsbereichs keine verborgenen elektrischen Quellen vorhanden sind.

## Wartung, Vorsichtsmaßnahmen

---

### ▲ WARNUNG Änderungen an der Maschine

Änderungen an der Maschine können zu schweren Unfällen führen.

- ▶ Nehmen Sie niemals Änderungen an der Maschine vor. Bei modifizierten Maschinen entfallen Garantie und Produkthaftung.
- ▶ Verwenden Sie stets Originalteile, Originalwerkzeuge und Originalzubehör von Atlas Copco.
- ▶ Wechseln Sie beschädigte Bauteile sofort aus.
- ▶ Ersetzen Sie verschlissene Komponenten rechtzeitig.

## Lagerung, Vorsichtsmaßnahmen

---

- ◆ Lagern Sie die Maschine und die Werkzeuge in einer sicheren, abgeschlossenen Umgebung und für Kinder unzugänglich.

## Übersicht

Lesen Sie bitte vor dem Betrieb der Maschine die Sicherheitshinweise auf den vorangegangenen Seiten dieses Handbuchs, um Unfallrisiken, die mit ernsthaften Verletzungen oder Lebensgefahr verbunden sein können, zu vermeiden.

## Konstruktion und Funktion

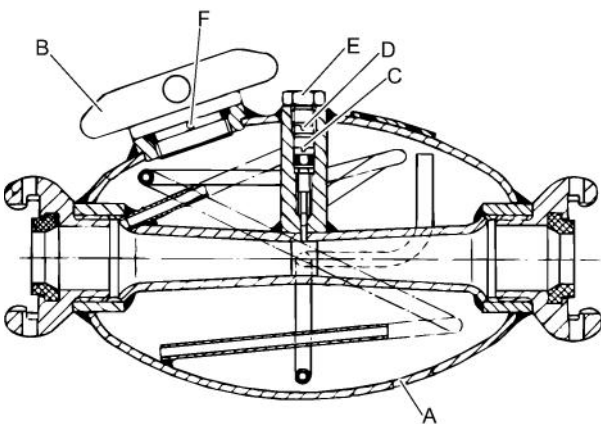
BLG 30 ist für die Schmierung von Druckluftausrüstung mit Mineralöl ausgelegt. Eine andere Verwendung ist nicht zulässig.

Luft strömt vom Lufteinlass durch die Schmiervorrichtung, teilweise direkt zur Druckluftmaschine und teilweise durch das Druckluftrohr in die Ölkammer, sodass ein statischer Druck auf die Öloberfläche in der Schmiervorrichtung wirkt. Die Druckluft presst das Öl in das Ölrohr, sowohl durch die Rohróffnung als auch durch die kleinen Öffnungen im Ölrohr, und erreicht schließlich die Öldosierschraube.

Das Durchflussrohr ist gegenüber der Ölleitung verengt (Venturidüse). So erhöht sich die Strömungsgeschwindigkeit der Druckluft, während der Luftdruck an der Mündung der Ölleitung nachlässt.

Aufgrund des Druckunterschieds wird das Schmieröl in das Durchflussrohr gedrückt, wo es zerstäubt wird und so zusammen mit der Luft über den Druckluftschlauch in die Druckluftmaschine gelangt. Die Ölmenge kann über die Öldosierschraube, mit der die Ölleitung geöffnet oder geschlossen wird, eingestellt werden.

## Hauptkomponenten



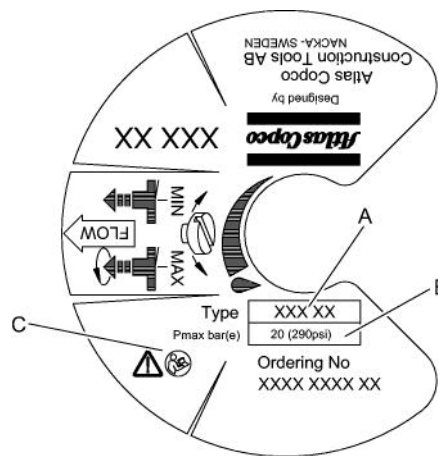
- A. Ölkammer
- B. Verschlussstopfen
- C. Öldosierschraube

- D. Sperrring
- E. Abdeckung
- F. Entlüftungsleitung

## Etiketten

An der Maschine sind Etiketten mit wichtigen Informationen zu Sicherheit und Wartung angebracht. Die Etiketten müssen stets gut lesbar sein. Neue Etiketten können anhand der Ersatzteilliste bestellt werden.

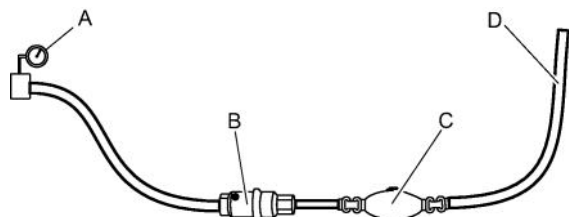
### Sicherheitsschild



- A. Maschinentyp
- B. Max. zulässiger Druckluftdruck
- C. Das Warnsymbol und das Buchsymbol weisen darauf hin, dass Sie vor dem ersten Einsatz der Maschine die Sicherheitshinweise und die Betriebsanleitung lesen müssen.

## Installation

### Schläuche und Anschlüsse



- A. Druckluftquelle
- B. Wasserabscheider (optional)
- C. Schmiervorrichtung



- D. Max. 3 m (10 ft) Druckluftschlauch zwischen Schmiervorrichtung und Druckluftmaschine.
- ◆ Der für die Maschine zulässige maximale Luftdruck von 20 bar (e) (290 psi) darf nicht überschritten werden.
  - ◆ Blasen Sie alle Verunreinigungen aus dem Druckluftschlauch aus, bevor Sie die Schmiervorrichtung anschließen.
  - ◆ Für die BLG 30 sollte ein Schlauch mit einem Innendurchmesser von 20-25 mm (¾-1 in.) verwendet werden.
  - ◆ Auf der Schmiervorrichtung befindet sich ein Pfeil, der die richtige Luftströmungsrichtung angibt. Stellen Sie beim Anschließen der Schmiervorrichtung sicher, dass der Pfeil in die Strömungsrichtung der Luft zeigt.

## Schmierung

Das Schmiermittel ist wichtig für die Funktionsfähigkeit der Druckluftmaschine und hat großen Einfluss auf deren Lebensdauer. Um eine gute Schmierung zu gewährleisten, darf die Länge des Luftschlauchs zwischen der separaten Schmiervorrichtung und der Druckluftmaschine 3 m nicht überschreiten.

### Viskositätsbereich

Temperatur °C(°F)	Viskosität
+15 bis +50 (+59 bis +122)	ISO VG 46–68 200-300 SUS
-20 bis +15 (-4 bis +59)	ISO VG 22–32 100-150 SUS

Das empfohlene Schmieröl entnehmen Sie der Sicherheits- und Betriebsanleitung der Druckluftmaschine, an die die Schmiervorrichtung angeschlossen wird.

### Einstellen der Öldosierung

BLG 30 wird mit einer um 1 ½ Umdrehungen geöffneten Öldosierschraube ausgeliefert. Die Öldosierschraube kann in einem Bereich von sechs vollständigen Umdrehungen eingestellt werden. Sie es stufenlos einstellbar.

Zum Einstellen der Öldosierung gehen Sie wie folgt vor:

- ◆ Entfernen Sie die Schutzabdeckung.
- ◆ Stecken Sie einen Schraubenzieher durch die Öffnung im Sperring in die Schlitz der Öldosierschraube.  
Drehen im Uhrzeigersinn reduziert den Ölfluss.  
Drehen gegen den Uhrzeigersinn erhöht den Ölfluss.
- ◆ Lösen oder entfernen Sie niemals den Sperring. Wenn sich die Öldosierschraube löst, verhindert der Sperring, dass die Schraube von der Schmiervorrichtung abgesprengt wird.
- ◆ Prüfen Sie am Abluftanschluss der Druckluftmaschine, ob sich genügend Schmiermittel in der Abluft befindet.

BLG 30 darf nur mit Mineralöl verwendet werden.

## Betrieb

### Betrieb

#### Schmiervorrichtung mit Öl füllen

Füllen Sie die Schmiervorrichtung zu Beginn jeder Schicht vollständig mit Öl.

- ◆ Schalten Sie die Druckluftversorgung der Schmiervorrichtung aus.
- ◆ Belüften Sie die Druckluftleitung, um restlichen Druck abzubauen.
- ◆ Säubern Sie den Bereich um den Verschlussstopfen, um zu verhindern, dass Schmutz in die Schmiervorrichtung gelangt.
- ◆ Lösen Sie den Verschlussstopfen mit zwei Umdrehungen. Dies öffnet die Belüftungsleitung und baut restlichen Druck in der Schmiervorrichtung ab.
- ◆ Füllen Sie die Schmiervorrichtung mit Mineralöl.
- ◆ Bringen Sie den Verschluss stopfen wieder an, und ziehen Sie ihn fest. Die Schmiervorrichtung ist jetzt einsatzbereit.

## Wartung

Eine regelmäßige Wartung ist die Grundvoraussetzung für den Erhalt der Sicherheit und Effektivität der Schmiervorrichtung. Halten Sie sich bitte genau an die Wartungsanweisungen.

- ◆ Säubern Sie die Schmiervorrichtung vor dem Start, um gefährliche Substanzen fernzuhalten.
- ◆ Verwenden Sie ausschließlich Originalbauteile. Schäden oder Fehlfunktionen, die durch den Einsatz unzulässiger Bauteile entstehen, werden nicht durch Garantie oder Produkthaftung abgedeckt.
- ◆ Stellen Sie beim Reinigen mechanischer Teile mit Lösungsmittel sicher, dass die geltenden Gesundheits- und Sicherheitsvorschriften eingehalten werden und für ausreichende Lüftung gesorgt ist.
- ◆ Für eine Hauptdurchsicht der Schmiervorrichtung wenden Sie sich an Ihre nächste Vertragswerkstatt.

## Täglich

Schalten Sie vor jeder Wartung der Pumpe stets die Druckluftversorgung aus. Trennen Sie anschließend den Luftschlauch von der Schmiervorrichtung.

- ◆ Säubern und prüfen Sie die Schmiervorrichtung auf ihre Funktionsfähigkeit täglich vor Arbeitsbeginn.
- ◆ Führen Sie eine allgemeine Prüfung auf Undichtigkeiten und Beschädigungen durch.
- ◆ Stellen Sie sicher, dass die Klauenkupplungen festgezogen und nicht beschädigt sind.
- ◆ Wechseln Sie beschädigte Bauteile sofort aus.
- ◆ Ersetzen Sie verschlissene Komponenten rechtzeitig.
- ◆ Stellen Sie sicher, dass Ausrüstung und Zubehör, z. B. Schläuche, gut gewartet sind.

## Regelmäßige Wartung

Einmal pro Jahr muss die Schmiervorrichtung zerlegt und alle Teile gereinigt und geprüft werden. Diese Arbeit muss von speziell hierfür geschultem Personal durchgeführt werden.

## Montageanweisung

Verwenden Sie bei der erneuten Montage der Klauenkupplungen an der Schmiervorrichtung LOCTITE® 577™ (LOCTITE ist ein eingetragenes Warenzeichen der Henkel Corporation. 577 ist ein eingetragenes Warenzeichen der Henkel Corporation).

## Fehlersuche

Wenn die Schmiervorrichtung nicht korrekt funktioniert, prüfen Sie die folgenden Punkte.

- ◆ Den Ölstand prüfen.
- ◆ Prüfen Sie, ob Länge und Durchmesser des Druckluftschlauchs den Empfehlungen entsprechen. Siehe „Installation“.
- ◆ Prüfen Sie im Bereich des Verschlussstopfens auf Undichtigkeiten.
- ◆ Stellen Sie sicher, dass die Ölkammer nicht durch Schmutz verunreinigt ist.
- ◆ Wenn die Schmiervorrichtung nach diesen Verfahren weiterhin nicht zufriedenstellend funktioniert, wenden Sie sich bitte an eine Vertragswerkstatt.

## Lagerung

- Reinigen Sie die Schmiervorrichtung gut vor der Lagerung, um gefährliche Substanzen fernzuhalten.
- Wenn die Schmiervorrichtung im mit Öl gefüllten Zustand gelagert wird, legen Sie sie mit dem Verschlussstopfen nach oben, um zu verhindern, dass das Öl durch die Mündung des Druckluftrohrs austritt.
- Lagern Sie die Schmiervorrichtung immer an einem trockenen Ort.

## Entsorgung

Eine verschlissene Maschine muss so entsorgt werden, dass so viel Material wie möglich wiederverwendet werden kann und die Umwelt in Übereinstimmung mit den örtlichen Regelungen so wenig wie möglich belastet wird.

# Technische Daten

## Maschinendaten

Typ	Gewicht kg (lb)	Volumen l (oz)	Luftdurchsatz, Bereich l/s (cfm)
BLG 30	3 (6,6)	1,3 (44)	25-134 (53-284)
BLG 30 US	3 (6,6)	1,3 (44)	25-134 (53-284)

## ESPAÑOL

**Contenido**

Introducción.....	29
Acerca de las instrucciones de seguridad y de funcionamiento.....	29
<b>Instrucciones de seguridad.....</b>	<b>30</b>
<b>Terminología de las señales de seguridad.....</b>	<b>30</b>
<b>Precauciones y cualificaciones del personal.....</b>	<b>30</b>
Equipo de protección personal.....	30
Drogas, alcohol y medicación.....	30
<b>Instalación, precauciones.....</b>	<b>30</b>
<b>Funcionamiento, precauciones.....</b>	<b>31</b>
<b>Mantenimiento, precauciones.....</b>	<b>31</b>
<b>Almacenaje, precauciones.....</b>	<b>31</b>
<b>Visión general.....</b>	<b>32</b>
<b>Diseño y funcionamiento.....</b>	<b>32</b>
<b>Piezas principales.....</b>	<b>32</b>
<b>Etiquetas.....</b>	<b>32</b>
Etiqueta de seguridad.....	32
<b>Instalación.....</b>	<b>32</b>
<b>Mangueras y conexiones.....</b>	<b>32</b>
<b>Lubricación.....</b>	<b>33</b>
Ajuste del aceite.....	33
<b>Funcionamiento.....</b>	<b>33</b>
<b>En funcionamiento.....</b>	<b>33</b>
Llenado de aceite del lubricador.....	33
<b>Mantenimiento.....</b>	<b>33</b>
<b>A diario.....</b>	<b>34</b>
<b>Mantenimiento periódico.....</b>	<b>34</b>
<b>Instrucciones de montaje.....</b>	<b>34</b>
<b>Localización y resolución de problemas.....</b>	<b>34</b>
<b>Almacenaje.....</b>	<b>34</b>
<b>Desechar.....</b>	<b>34</b>
<b>Especificaciones técnicas.....</b>	<b>35</b>
<b>Datos de la máquina.....</b>	<b>35</b>

## Introducción

Gracias por elegir un producto de Atlas Copco. Desde 1873, tenemos el compromiso de encontrar nuevas y mejores formas de satisfacer las necesidades de nuestros clientes. A lo largo de los años, hemos desarrollado diseños de productos innovadores y ergonómicos que han ayudado a mejorar y racionalizar el trabajo diario de nuestros clientes.

Atlas Copco cuenta con una sólida red de ventas y servicios a escala mundial formada por centros de atención al cliente y distribuidores repartidos por todo el mundo. Nuestros expertos son profesionales altamente cualificados que poseen amplios conocimientos sobre los productos y una gran experiencia con las aplicaciones. En todos los rincones del mundo ofrecemos asistencia al producto y nuestra experiencia para garantizar que nuestros clientes puedan trabajar siempre con la mayor eficiencia.

Para obtener más información, visite: [www.atlascopco.com](http://www.atlascopco.com)

Atlas Copco Construction Tools AB

105 23 Stockholm

Sweden

## Acerca de las instrucciones de seguridad y de funcionamiento

El objetivo de estas instrucciones es proporcionarle los conocimientos necesarios para usar la máquina de manera eficiente y segura. Las instrucciones también aconsejan e informan sobre cómo llevar a cabo el mantenimiento periódico de la máquina.

Antes de utilizar la máquina por primera vez, debe leer cuidadosamente y entender todas estas instrucciones.

## Instrucciones de seguridad

Para reducir el riesgo de que usted u otras personas padezcan lesiones graves o la muerte, lea las Instrucciones de seguridad y funcionamiento antes de instalar, usar, reparar o cambiar la máquina o de realizar su mantenimiento.

Exponga estas instrucciones de seguridad y funcionamiento en las zonas de trabajo, proporcione copias a los empleados y asegúrese de que todos las lean antes de utilizar o reparar la máquina.

Además, el operario o su empleador deberá evaluar los riesgos específicos que pueden surgir como resultado del uso de la máquina.

## Terminología de las señales de seguridad

Los términos de seguridad Peligro, Atención y Cuidado tienen los siguientes significados:

<b>PELIGRO</b>	Indica una situación de peligro que, si no se evita, ocasionará la muerte o lesiones graves.
<b>ADVERTENCIA</b>	Indica una situación de peligro que, si no se evita, podría ocasionar la muerte o lesiones graves.
<b>ATENCIÓN</b>	Indica una situación de peligro que, si no se evita, podría ocasionar lesiones menores o moderadas.

## Precauciones y cualificaciones del personal

Sólo personas cualificadas y debidamente formadas pueden utilizar u ocuparse del mantenimiento de la máquina. Deben poder manejar físicamente el volumen, el peso y la potencia de la herramienta. Utilice siempre su sentido común y buen juicio.

### Equipo de protección personal

Utilice siempre equipo de protección autorizado. Los operarios y el resto del personal del área de trabajo deben llevar, como mínimo, el siguiente equipo de protección:

- Protección ocular resistente a los impactos con protección lateral
- Guantes protectores

### Drogas, alcohol y medicación

#### ▲ ADVERTENCIA Drogas, alcohol y medicación

Las drogas, el alcohol y la medicación pueden alterar la capacidad de juicio y el poder de concentración. Las malas reacciones y las valoraciones incorrectas pueden provocar accidentes graves o la muerte.

- ▶ Nunca utilice la máquina cuando esté cansado o bajo los efectos de drogas, alcohol o medicinas.
- ▶ Nadie que esté bajo los efectos de drogas, alcohol o medicinas podrá manejar la máquina.

## Instalación, precauciones

#### ▲ PELIGRO Manguera de aire suelta

Una manguera de aire comprimido suelta puede asestar latigazos y ocasionar lesiones o incluso la muerte. Para reducir este riesgo:

- ▶ Compruebe que la manguera de aire comprimido y las conexiones no estén dañadas y sustitúyalas si es necesario.
- ▶ Compruebe que todas las conexiones de aire comprimido estén debidamente conectadas.
- ▶ No arrastre nunca una máquina neumática por la manguera del aire.
- ▶ No intente nunca desconectar una manguera de aire comprimido que esté presurizada. En primer lugar, apague el suministro de aire comprimido del compresor y, a continuación, purgue la máquina activando el dispositivo de puesta en marcha y parada.
- ▶ No dirija nunca una manguera de aire comprimido hacia sí mismo ni a otras personas. Para evitar el riesgo de lesiones, no utilice nunca una manguera de aire comprimido para limpiar el polvo, la suciedad, etc. de la ropa.
- ▶ No utilice acoplamiento rápidos de desconexión en la entrada de la herramienta. Utilice fijaciones roscadas de la manguera de acero endurecido (o de otro material con una resistencia de choque similar).
- ▶ Siempre que se utilicen acoplamiento universales roscados (acoplamiento de garras), recomendamos que se coloquen pasadores de seguridad y se utilicen cables con válvula de seguridad para proteger la manguera ante posibles fallos de conexión de la manguera a la herramienta y entre mangueras.

## Funcionamiento, precauciones

### ▲ PELIGRO Riesgos relacionados con el lubricador presurizado

Cuando el lubricador está conectado a un conducto de aire comprimido, la cámara de aceite se presuriza. Si el tapón de llenado se afloja, hay riesgo de que salga aceite en proyección, lo que puede causar lesiones corporales.

- ▶ Desconecte siempre el lubricador del conducto de aire comprimido antes de aflojar el tapón de llenado.

### ▲ PELIGRO Riesgos relacionados con la eyección del tornillo de dosificación del aceite

El anillo de bloqueo realiza una parada de seguridad que evita que el tornillo de dosificación del aceite sea expulsado. Si el tornillo de dosificación del aceite se afloja, puede ser expulsado y provocar lesiones corporales.

- ▶ No quite nunca el anillo de bloqueo.
- ▶ No ajuste nunca la dosificación del aceite si falta el anillo de bloqueo.

### ▲ ADVERTENCIA Peligros de deslizamiento, desconexión y caída

Hay riesgo de deslizamiento, desconexión o caída, por ejemplo desconexión de las mangueras u otros objetos. El deslizamiento, la desconexión y la caída pueden provocar lesiones. Para reducir este riesgo:

- ▶ Asegúrese siempre de que no haya mangueras ni otros objetos que obstaculicen su paso o el de otras personas.

### ▲ PELIGRO Riesgos relacionados con la electricidad

La máquina no está aislada eléctricamente. Si la máquina entra en contacto con la electricidad, podría provocar lesiones graves o la muerte.

- ▶ No utilice nunca la máquina cerca de un cable eléctrico ni otra fuente de electricidad.
- ▶ Compruebe que no haya cables u otras fuentes de electricidad ocultos en el área de trabajo.

## Mantenimiento, precauciones

### ▲ ADVERTENCIA Modificación de la máquina

Cualquier modificación de la máquina puede provocar daños corporales a usted y a otras personas.

- ▶ Nunca modifique la máquina. Una máquina modificada no estará cubierta por la garantía ni por la responsabilidad del producto.
- ▶ Utilice siempre piezas, herramientas de inserción y accesorios originales aprobados por Atlas Copco.
- ▶ Cambie las piezas dañadas inmediatamente.
- ▶ Sustituya los componentes gastados con la debida antelación.

## Almacenaje, precauciones

- ◆ Guarde la máquina y las herramientas en un lugar seguro, fuera del alcance de los niños y bajo llave.

## Visión general

Para reducir el riesgo de que usted u otras personas padezcan lesiones graves o la muerte, antes de usar la máquina lea la sección de Instrucciones de seguridad que encontrará en las páginas anteriores de este manual.

## Diseño y funcionamiento

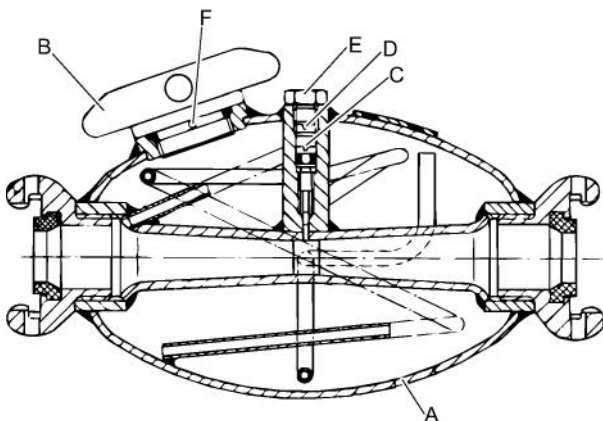
BLG 30 está diseñado para lubricar el equipo de aire comprimido con aceite mineral. No está permitido ningún otro uso.

El aire pasa por el lubricador desde la toma de aire, una parte directamente hacia la máquina neumática y otra parte a través del tubo de aire hacia la cámara de aceite, de forma que la presión estática actúa sobre el nivel de aceite del lubricador. El aire hace subir el aceite hacia el tubo de aceite, a través de la apertura del tubo y de los pequeños orificios perforados en el tubo de aceite, llegando finalmente al tornillo de dosificación de aceite.

El tubo de paso se estrecha enfrente del conducto del aceite (Venturi), aumentando así el caudal de aire comprimido y reduciendo la presión de aire en la boca del conducto de aceite.

Debido a la diferencia de presión, el aceite lubricante sale empujado hacia el tubo de paso, donde se atomiza y es transportado con el aire a través de la manguera hacia la máquina neumática. El suministro de aceite se puede regular con el tornillo de dosificación de aceite, abriendo o cerrando el conducto del aceite.

## Piezas principales



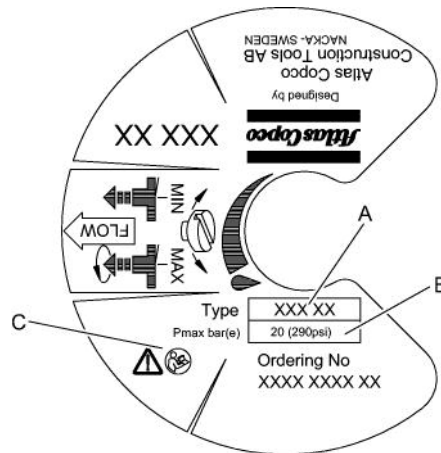
- A. Cámara de aceite
- B. Tapón de llenado
- C. Tornillo de dosificación de aceite
- D. Anillo de bloqueo

- E. Tapón
- F. Conducto de ventilación

## Etiquetas

La máquina incluye etiquetas que contienen información importante sobre la seguridad personal y el mantenimiento de la máquina. Las etiquetas deberán estar en buen estado para que sean fáciles de leer. Se pueden pedir nuevas etiquetas en la lista de piezas de repuesto.

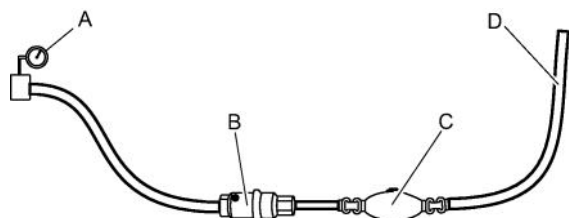
### Etiqueta de seguridad



- A. Tipo de máquina
- B. Presión de aire comprimido máxima permitida
- C. El símbolo de atención unido al símbolo del libro significa que el usuario debe leer las instrucciones de seguridad y de funcionamiento antes de usar la máquina por primera vez.

## Instalación

### Mangueras y conexiones



- A. Fuente de aire comprimido
- B. Separador de agua (opcional)
- C. Lubricador



- D. Manguera de aire comprimido de un máximo de 3 m (10 ft) entre el engrasador y la máquina neumática.
- ◆ No debe sobrepasarse la presión máxima de aire admisible, 20 bar (e) (290 psi).
  - ◆ Quite las impurezas de la manguera de aire comprimido antes de conectarla al lubricador.
  - ◆ Para BLG 30 se debe utilizar una manguera con un diámetro interno mínimo de 20-25 mm ( $\frac{3}{4}$ -1 in.).
  - ◆ En el lubricador hay una flecha que indica la dirección correcta del flujo de aire. Al conectar el lubricador, asegúrese de que la flecha señale en la misma dirección que el flujo de aire.

## Lubricación

El lubricante es importante para el funcionamiento de la máquina neumática y tiene una gran repercusión en la extensión de la vida útil de la misma. Para garantizar una buena lubricación, la longitud de la manguera de aire entre el lubricador separado y la máquina neumática no debe superar los 3 metros.

### Intervalo de viscosidad

Temperatura °C (°F)	Viscosidad
De +15 a +50 (de +59 a +122)	ISO VG 46-68 200-300 SUS
De -20 a +15 (de -4 a +59)	ISO VG 22-32 100-150 SUS

Para saber qué aceite de lubricación recomendado es el correcto, consulte las instrucciones de seguridad y de funcionamiento de la máquina neumática que se utiliza con el lubricador.

### Ajuste del aceite

BLG 30 se suministra con una apertura del tornillo de dosificación de aceite de 1  $\frac{1}{2}$  vueltas. El tornillo de dosificación de aceite se puede girar hasta un total de seis vueltas completas. Es de ajuste progresivo.

Para ajustar la dosificación del aceite, haga lo siguiente:

- ◆ Quite el tapón de protección.
- ◆ Inserte un destornillador a través del orificio del anillo de bloqueo hacia el tornillo de dosificación de aceite, que tiene surcos para el destornillador. En el sentido de las agujas del reloj se reduce el caudal de aceite. En sentido contrario a las agujas del reloj se aumenta el caudal de aceite.
- ◆ No desatornille nunca el anillo de bloqueo. Si se suelta el tornillo de dosificación de aceite, el anillo de bloqueo evitará que salte fuera del lubricador.
- ◆ Compruebe que por el orificio de escape de la máquina neumática sale lubricación suficiente.

BLG 30 sólo se debe utilizar con aceite mineral.

## Funcionamiento

### En funcionamiento

#### Llenado de aceite del lubricador

Rellene siempre el lubricador con aceite al iniciar el turno.

- ◆ Apague el suministro de aire del lubricador.
- ◆ Purgue el conducto de aire para extraer el aire atrapado.
- ◆ Limpie alrededor de la parte exterior del tapón de llenado para evitar que entre suciedad en el lubricador.
- ◆ Desatornille el tapón de llenado con dos vueltas, con lo que se abrirá el conducto de ventilación y se liberará el aire comprimido que pueda quedar en el lubricador.
- ◆ Llene el lubricador con aceite mineral.
- ◆ Vuelva a poner el tapón de llenado y apriételo. El lubricador ya está listo para su uso.

## Mantenimiento

El mantenimiento regular es un requisito esencial para el uso seguro y eficaz del lubricador. Siga las instrucciones de mantenimiento detenidamente.

- ◆ Antes de iniciar el mantenimiento en el lubricador, límpielo para evitar la exposición a sustancias peligrosas.
- ◆ Utilice sólo piezas originales. Cualquier daño o defecto originado por la utilización de piezas no autorizadas no estará cubierto por la garantía ni por la responsabilidad del producto.
- ◆ Al limpiar las piezas mecánicas con un disolvente, asegúrese de cumplir la normativa de salud y seguridad en el trabajo y de que haya la suficiente ventilación.
- ◆ Para realizar una reparación más completa del lubricador, acuda al taller autorizado más cercano.

## A diario

Antes de realizar cualquier tarea de mantenimiento en el lubricador, apague siempre el suministro de aire y a continuación desconecte la manguera de aire del lubricador.

- ◆ Limpie e inspeccione el lubricador y sus funciones cada día antes de empezar a trabajar.
- ◆ Realice una inspección general para determinar si hay fugas o desperfectos.
- ◆ Compruebe que los acoplamientos de garras estén apretados y que no estén dañados.
- ◆ Cambie las piezas dañadas inmediatamente.
- ◆ Sustituya los componentes gastados con la debida antelación.
- ◆ Asegúrese de que todos los equipos fijados y relacionados, tales como mangueras, estén en buen estado.

## Mantenimiento periódico

Una vez al año se debe desmontar el lubricador y se deben limpiar y comprobar todas las piezas. Este trabajo debe realizarlo personal autorizado y cualificado para ello.

## Instrucciones de montaje

Al volver a montar los acoplamientos de garras en el lubricador, aplique LOCTITE® 577™ (LOCTITE es una marca registrada de Henkel Corporation. 577 es una marca comercial de Henkel Corporation).

## Localización y resolución de problemas

Si el lubricador no funciona correctamente, compruebe los siguientes puntos.

- ◆ Compruebe el nivel de aceite.
- ◆ Compruebe que las dimensiones y la longitud de la manguera de aire sigan las recomendaciones. Consulte la sección "Montaje".
- ◆ Compruebe si hay fugas alrededor del tapón de llenado.
- ◆ Asegúrese de que no haya suciedad en la cámara de aceite.
- ◆ Si el funcionamiento del lubricador todavía no es satisfactorio tras seguir el procedimiento anterior, acuda a un taller de reparación autorizado.

## Almacenaje

- Antes de almacenar el lubricador, límpielo para evitar que queden sustancias peligrosas.
- Si el lubricador se almacena lleno de aceite, colóquelo con el tapón de llenado hacia arriba para evitar que el aceite se salga por la boca del tubo de aire.
- Guarde siempre el lubricador en un lugar seco.

## Desechar

Una máquina usada se debe manipular y desechar de tal forma que se pueda reciclar la mayor cantidad posible del material, haya la menor influencia negativa posible en el medio ambiente y se cumplan las restricciones municipales.

# Especificaciones técnicas

## Datos de la máquina

<b>Tipo</b>	<b>Peso kg (lb)</b>	<b>Volumen l (oz)</b>	<b>Intervalo de flujo de aire l/s (cfm)</b>
BLG 30	3 (6,6)	1,3 (44)	25-134 (53-284)
BLG 30 US	3 (6,6)	1,3 (44)	25-134 (53-284)

## PORTUGUÊS

**Índice**

Introdução.....	37
Acerca das instruções de segurança e operação.....	37
Instruções de segurança.....	38
<b>Palavras de avisos de segurança</b> .....	38
<b>Precauções e habilitações pessoais</b> .....	38
Equipamento pessoal de protecção.....	38
Drogas, álcool ou medicamentos.....	38
<b>Instalação, precauções</b> .....	38
<b>Operação, precauções</b> .....	39
<b>Manutenção, precauções</b> .....	39
<b>Armazenamento, precauções</b> .....	39
Visão geral.....	40
<b>Concepção e função</b> .....	40
<b>Peças principais</b> .....	40
<b>Autocolantes</b> .....	40
Autocolante de segurança.....	41
Instalação.....	41
<b>Mangueiras e ligações</b> .....	41
<b>Lubrificação</b> .....	41
Afinação do óleo.....	41
Operação.....	42
<b>Funcionamento</b> .....	42
Encher o lubrificador com óleo.....	42
Manutenção.....	42
<b>Diariamente</b> .....	42
<b>Manutenção periódica</b> .....	42
<b>Instruções de montagem</b> .....	42
Diagnóstico e reparação de avarias.....	42
Armazenamento.....	43
Abate.....	43
Dados técnicos.....	44
<b>Dados da máquina</b> .....	44

## Introdução

Obrigado por escolher um produto da Atlas Copco. Desde 1873 que estamos empenhados em encontrar novas e melhores maneiras para ir ao encontro das necessidades dos nossos clientes. Ao longo dos anos, temos vindo a desenvolver designs de produtos inovadores e ergonómicos que ajudaram os clientes a melhorarem e a racionalizarem o seu trabalho diariamente.

A Atlas Copco tem uma forte rede global de vendas e assistência, que consiste em centros de apoio ao cliente e aos distribuidores espalhados por todo o mundo. Os nossos peritos são profissionais devidamente formados, com um extenso conhecimento dos produtos e experiência na aplicação. Oferecemos, em todos os cantos do mundo, suporte aos produtos e experiência técnica para assegurar que os nossos clientes possam sempre trabalhar com a máxima eficiência.

Para saber mais, visite: [www.atlascopco.com](http://www.atlascopco.com)

Atlas Copco Construction Tools AB

105 23 Stockholm

Sweden

## Acerca das instruções de segurança e operação

O objectivo das instruções é dar-lhe conhecimentos sobre como utilizar o equipamento de um modo eficiente e seguro. As instruções dão, também, conselhos e indicações sobre como efectuar manutenções regulares ao equipamento.

Antes de utilizar o equipamento pela primeira vez tem obrigatoriamente de ler estas instruções cuidadosamente e compreendê-las na sua totalidade.

## Instruções de segurança

Para reduzir o risco de ferimentos graves ou morte, para si próprio ou para outros, leia e compreenda as instruções de Segurança e operação antes de instalar, operar, reparar, fazer manutenção ou mudar acessórios na máquina.

Afixe estas instruções de Segurança e operação nos locais de trabalho, forneça cópias aos empregados, e certifique-se de que todos lêem as instruções de Segurança e operação antes de operar a máquina, ou de prestar assistência à máquina.

Para além disso, o operador ou o empregador do operador deve avaliar os riscos específicos que podem estar presentes em resultado de cada utilização da máquina.

## Palavras de avisos de segurança

As palavras de avisos de segurança Perigo, Atenção e Cuidado têm os seguintes significados:

<b>PERIGO</b>	Indica uma situação perigosa, a qual, se não for evitada, irá provocar a morte ou ferimentos graves.
<b>ATENÇÃO</b>	Indica uma situação perigosa, a qual, se não for evitada, poderá provocar a morte ou ferimentos graves.
<b>CUIDADO</b>	Indica uma situação perigosa, a qual, se não for evitada, poderá provocar ferimentos ligeiros ou moderados.

## Precauções e habilitações pessoais

A operação ou manutenção da máquina só pode ser feita por pessoal com as habilitações e a formação necessárias. Este pessoal tem que ser fisicamente capaz de manusear o volume, o peso e a potência da ferramenta. Faça sempre uso do seu bom senso e da sua capacidade de avaliação das situações.

### Equipamento pessoal de protecção

Use sempre equipamento de protecção aprovado. Os operadores, bem como todas as outras pessoas que se encontrem na zona de trabalho, devem usar equipamento de protecção, incluindo, no mínimo:

- Protecção para os olhos, resistente ao impacto e com protecção lateral
- Luvas protectoras

### Drogas, álcool ou medicamentos

#### ▲ ATENÇÃO Drogas, álcool ou medicamentos

Drogas, álcool ou medicamentos podem reduzir a sua capacidade de avaliação e de concentração. Reacções lentas e avaliações incorrectas podem provocar acidentes graves ou morte.

- ▶ Nunca use a máquina quando estiver cansado ou se tiver tomado drogas, álcool ou medicamentos.
- ▶ Ninguém que tenha tomado drogas, álcool ou medicamentos pode operar a máquina.

## Instalação, precauções

#### ▲ PERIGO Chicotada das mangueiras de ar

Um mangueira de ar comprimido que se solte pode causar ferimentos pessoais ou morte. Para reduzir este risco:

- ▶ Certifique-se de que as mangueiras de ar comprimido e as ligações não estão danificadas, e substitua-as se necessário.
- ▶ Certifique-se de que as mangueiras de ar comprimido e as ligações estão bem presas.
- ▶ Nunca transporte uma máquina pneumática segurando-a pela mangueira de ar.
- ▶ Nunca tente tirar uma mangueira de ar comprimido que esteja pressurizada. Primeiro, deve desligar a alimentação de ar comprimido directamente no compressor e, em seguida, deve purgar a máquina, activando o dispositivo de activação e desactivação.
- ▶ Nunca aponte uma mangueira de ar comprimido a si próprio ou a outra pessoa. Para evitar o risco de ferimentos, nunca utilize ar comprimido para soprar, por exemplo, poeiras, sujidade, etc. das suas roupas.
- ▶ Não use ligações de desacoplamento rápido à entrada da ferramenta. Use peças de encaixe roscadas para mangueira, em aço endurecido (ou num material com uma resistência ao choque equivalente).
- ▶ Sempre que forem usadas ligações de acoplamento universal de torcer (ligações de acoplamento de gancho), recomendamos que sejam instalados pinos de travamento e que sejam usados cabos de segurança anti-chicoteamento como salvaguarda contra possíveis falhas da mangueira à máquina, ou de mangueira a mangueira.

## Operação, precauções

---

### ▲ PERIGO Perigo de lubrificador pressurizado

Quando o lubrificador está ligado a uma linha de ar comprimido, a câmara de óleo está pressurizada. Se o bujão de enchimento estiver afrouxado, há o risco de óleo ser esguichado, o que pode causar ferimentos.

- ▶ Antes de afrouxar o bujão de enchimento, desligue sempre o lubrificador da linha de ar comprimido.

### ▲ PERIGO Perigo de projecção do parafuso de doseamento de óleo

O anel de freio é um batente de segurança que impede que o parafuso de doseamento de óleo seja projectado. Se o parafuso de doseamento de óleo ficar solto, pode ser projectado e causar ferimentos.

- ▶ Nunca retire o anel de freio.
- ▶ Nunca ajuste o doseamento de óleo se o anel de freio não estiver aplicado.

### ▲ ATENÇÃO Riscos de escorregar, tropeçar e cair

Há o risco de escorregar ou tropeçar ou cair, por exemplo tropeçar nas mangueira ou noutros objectos. Escorregar ou tropeçar ou cair pode causar ferimentos. Para reduzir este risco:

- ▶ Certifique-se sempre de que não há nenhuma mangueira ou outros objectos no seu caminho ou no caminho de outra pessoa.

### ▲ PERIGO Perigo eléctrico

A máquina não tem isolamento eléctrico. Se a máquina entrar em contacto com fontes de electricidade, isso pode provocar ferimentos graves ou morte.

- ▶ Nunca opere a máquina ao pé de qualquer cabo eléctrico, ou de outra fonte de electricidade.
- ▶ Certifique-se de que não existem cabos ocultos, ou quaisquer outras fontes de electricidade, na área de trabalho.

## Manutenção, precauções

---

### ▲ ATENÇÃO Modificação da máquina

As modificações feitas à máquina poderão resultar em danos físicos para si ou terceiros.

- ▶ Nunca faça modificações à máquina. Máquinas modificadas não estão cobertas pela Garantia ou pela Responsabilidade Legal do produto.
- ▶ Utilize sempre peças, ferramentas de inserção e acessórios originais aprovados pela Atlas Copco.
- ▶ Mude imediatamente quaisquer peças danificadas.

- ▶ Substitua os componentes desgastados atempadamente.

## Armazenamento, precauções

---

- ◆ Guarde a máquina e as ferramentas num local seguro, fora do alcance de crianças e trancado.

## Visão geral

Para reduzir o risco de ferimentos graves ou morte para si ou para terceiros, antes de usar a máquina leia a secção das Instruções de Segurança, que está nas páginas anteriores deste manual.

## Concepção e função

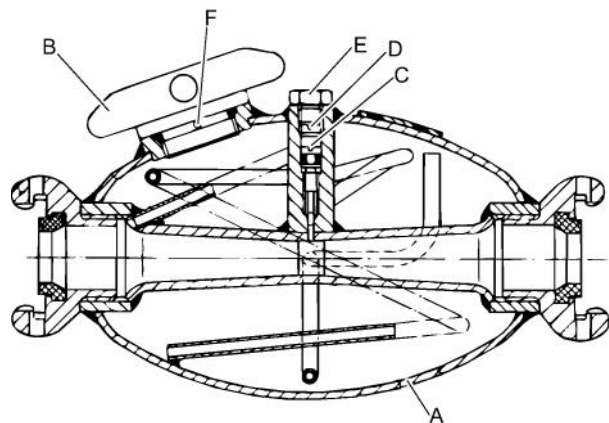
O BLG 30 foi concebido para lubrificar equipamento de ar comprimido utilizando óleo mineral. Não é permitido outro tipo de uso.

O ar corre através do lubrificador vindo da entrada de ar, em parte directamente para a máquina pneumática e em parte através do tubo de ar para dentro da câmara de óleo, fazendo com que a pressão estática actue sobre o nível de óleo dentro do lubrificador. O ar força o óleo a entrar no tubo de óleo, tanto pela abertura do tubo como por pequenos furos feitos no tubo, até acabar por chegar ao parafuso de doseamento de óleo.

Há um estreitamento no tubo de caudal de passagem no lado oposto à conduta de óleo (tubo de Venturi), o que faz com que haja um aumento da velocidade do caudal do ar comprimido e uma diminuição da pressão do ar na abertura de entrada da conduta de óleo.

Por causa da diferença de pressão, o óleo de lubrificação é forçado a sair, entrando no tubo de caudal de passagem, onde o óleo é atomizado e transportado juntamente com o ar através da mangueira até à máquina pneumática. A alimentação de óleo pode ser regulada, utilizando o parafuso de doseamento de óleo para abrir ou fechar a conduta de óleo.

## Peças principais



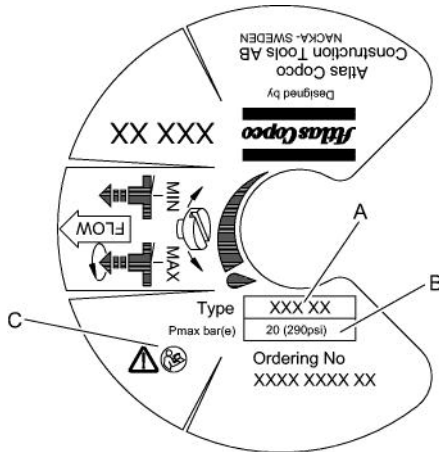
- A. Câmara de óleo
- B. Bujão do filtro
- C. Parafuso de doseamento de óleo
- D. Anel de freio
- E. Bujão
- F. Conduta de purga de ar

## Autocolantes

A máquina está equipada com autocolantes que mostram informação importante sobre a segurança pessoal do operador e a manutenção da máquina. Os autocolantes devem estar em boas condições que permitam a sua leitura com facilidade. Novos autocolantes podem ser encomendados a partir da lista de peças sobressalentes.



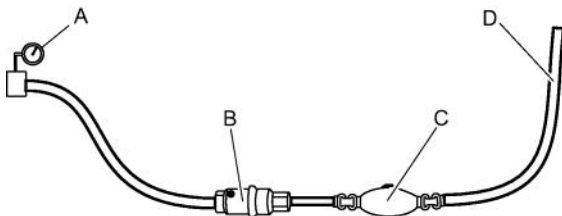
## Autocolante de segurança



- A. Tipo de máquina
- B. Pressão máxima permitida de ar comprimido
- C. O símbolo de atenção, juntamente com o símbolo de livro, significa que o utilizador tem que ler as instruções de segurança e operação antes de poder utilizar o equipamento pela primeira vez.

## Instalação

### Mangueiras e ligações



- A. Gerador de ar comprimido
  - B. Separador de água (opcional)
  - C. Lubrificador
  - D. Mangueira de ar comprimido entre o lubrificador e a máquina pneumática, com um máx. de 3 m (10 ft).
- ◆ A pressão de ar máxima permitida, 20 bar (e) (290 psi), não pode nunca ser excedida.
  - ◆ Purgue as impurezas da mangueira de ar comprimido antes de a ligar ao lubrificador.
  - ◆ Para o BLG 30, tem obrigatoriamente de ser usada uma mangueira com um diâmetro interno mínimo de 20-25 mm (¾-1 in.).

- ◆ Há uma seta no lubrificador que indica a direcção correcta do caudal de ar. Quando ligar o lubrificador, certifique-se de que a seta aponta na mesma direcção que o caudal de ar.

## Lubrificação

O lubrificante é importante para o funcionamento da máquina pneumática e tem um grande impacto sobre a sua durabilidade. Para garantir uma boa lubrificação, o comprimento da mangueira de ar entre o lubrificador separado e a máquina pneumática não pode nunca exceder 3 metros.

### Amplitude de viscosidade

Temperatura °C (°F)	Viscosidade
+15 a +50 (+59 a +122)	ISO VG 46-68 200-300 SUS
-20 a +15 (-4 a +59)	ISO VG 22-32 100-150 SUS

Para saber qual o óleo de lubrificação recomendado correcto, consulte as Instruções de segurança e operação para a máquina pneumática utilizada em conjunto com o lubrificador.

### Afinação do óleo

O BLG 30 é entregue com o parafuso de doseamento de óleo aberto 1 volta e ½. O parafuso de doseamento de óleo pode ser rodado no total 6 voltas completas. É afinável sem pausas.

Para afinar o doseamento de óleo, faça o seguinte:

- ◆ Tire o bujão de protecção.
- ◆ Introduza uma chave de fendas pelo furo do anel de freio até ao parafuso de doseamento de óleo, o qual tem sulcos para a chave de fendas. Rodar no sentido dos ponteiros do relógio reduz o caudal de óleo. Rodar no sentido contrário aos ponteiros do relógio aumenta o caudal de óleo.
- ◆ Nunca desenrosque nem retire o anel de freio. Se o parafuso de doseamento de óleo ficar frouxo, o anel de freio irá impedi-lo de ser projectado para fora do lubrificador.
- ◆ Verifique a saída de escape da máquina pneumática para ver se a quantidade de lubrificação no ar de escape é suficiente.

O BLG 30 tem obrigatoriamente de ser utilizado só com óleo mineral.

## Operação

### Funcionamento

#### Encher o lubrificador com óleo

Ateste sempre o lubrificador com óleo no início do turno de trabalho.

- ◆ Desligue a alimentação de ar ao lubrificador.
- ◆ Purgue a linha de ar, para retirar ar aprisionado.
- ◆ Limpe à volta do lado de fora do bujão de enchimento, para evitar a entrada de sujidade para dentro do lubrificador.
- ◆ Desaperte o bujão de enchimento duas voltas, o que abre a conduta de purga e liberta o ar comprimido que possa restar dentro do lubrificador.
- ◆ Encha o lubrificador com um óleo de base mineral.
- ◆ Volte a enroscar o bujão de enchimento e dê-lhe aperto. O lubrificador está agora pronto a ser utilizado.

### Manutenção

Fazer manutenção regular ao lubrificador é essencial para que o lubrificador possa continuar a ser utilizado com eficiência e em segurança. Siga cuidadosamente as instruções de manutenção.

- ◆ Antes de começar a fazer manutenção ao lubrificador, limpe o lubrificador para evitar a exposição a substâncias perigosas.
- ◆ Utilize só peças autorizadas. Quaisquer danos ou mau funcionamento causados pela utilização de peças não autorizadas não estão cobertos pela garantia ou pela responsabilidade legal do produto.
- ◆ Quando limpar peças mecânicas com solvente, cumpra os regulamentos apropriados de saúde e segurança, e certifique-se de que há ventilação suficiente.
- ◆ Para grandes trabalhos de assistência ao lubrificador, contacte uma oficina de assistência autorizada.

### Diariamente

Antes de iniciar qualquer manutenção ao lubrificador, desligue sempre a alimentação de ar comprimido e, em seguida, remova a mangueira de ar do lubrificador.

- ◆ Limpe e inspecione o lubrificador e o respectivo funcionamento todos os dias, antes de começar a trabalhar.
- ◆ Faça uma inspecção geral, procurando fugas e danos.
- ◆ Certifique-se de que as ligações de garra estão bem apertadas e que não estão danificadas.
- ◆ Substitua imediatamente quaisquer peças danificadas.
- ◆ Substitua atempadamente os componentes desgastados.
- ◆ Certifique-se de que todo o equipamento anexo e relacionado, como as mangueiras, recebe a manutenção adequada.

### Manutenção periódica

Uma vez por ano, o lubrificador tem obrigatoriamente de ser desarmado e todas as peças têm obrigatoriamente de ser limpas e verificadas. Esta tarefa tem obrigatoriamente de ser feita por pessoal autorizado, com a formação necessária.

### Instruções de montagem

Quando voltar a montar as ligações de garra no lubrificador, aplique LOCTITE® 577™ (LOCTITE é uma marca registada da Henkel Corporation. 577 é uma marca registada da Henkel Corporation).

### Diagnóstico e reparação de avarias

Se o lubrificador não funcionar correctamente, verifique os pontos seguintes.

- ◆ Verifique o nível de óleo.
- ◆ Certifique-se de que o diâmetro e o comprimento da mangueira de ar estão de acordo com as recomendações. Consulte “Instalação”.
- ◆ Verifique se há fugas à volta do bujão de enchimento.

- ◆ Certifique-se de que não há nenhuma sujeira dentro da câmara de óleo.
- ◆ Se o funcionamento do lubrificador ainda não for satisfatório depois deste procedimento, contacte uma oficina de assistência autorizada.

## Armazenamento

- Limpe bem o lubrificador antes de o guardar, para evitar substâncias perigosas.
- Se o lubrificador for guardado atestado com óleo, coloque-o com o bужão de enchimento para cima para evitar fugas de óleo através da abertura de entrada do tubo de ar.
- Guarde sempre o lubrificador num local seco.

## Abate

Uma máquina abatida deve ser tratada e eliminada de maneira a que maior parte possível do seu material possa ser reciclada, e que qualquer influência negativa sobre o meio-ambiente seja mantida ao nível mais baixo possível, e em conformidade com as restrições locais.

## Dados técnicos

### Dados da máquina

<b>Tipo</b>	<b>Peso kg (lb)</b>	<b>Volume l (oz)</b>	<b>Amplitude de caudal de ar l/s (cfm)</b>
BLG 30	3 (6,6)	1,3 (44)	25-134 (53-284)
BLG 30 US	3 (6,6)	1,3 (44)	25-134 (53-284)



## ITALIANO

**Indice**

<b>Introduzione</b> .....	47
<b>Informazioni sulle istruzioni per la sicurezza e per l'uso</b> .....	47
<b>Norme di sicurezza</b> .....	48
<b>Terminologia di sicurezza</b> .....	48
<b>Precauzioni e qualifiche personali</b> .....	48
Dispositivi di protezione personale .....	48
Droghe, sostanze alcoliche o farmaci .....	48
<b>Installazione, precauzioni</b> .....	48
<b>Funzionamento, precauzioni</b> .....	49
<b>Manutenzione, precauzioni</b> .....	49
<b>Conservazione, precauzioni</b> .....	49
<b>Avvertenze</b> .....	50
<b>Modello e funzioni</b> .....	50
<b>Parti principali</b> .....	50
<b>Etichette</b> .....	50
Etichetta di sicurezza .....	50
<b>Installazione</b> .....	50
<b>Tubi e collegamenti</b> .....	50
<b>Lubrificazione</b> .....	51
Regolazione dell'olio .....	51
<b>Funzionamento</b> .....	51
<b>Condizioni di esercizio</b> .....	51
Riempire di olio il lubrificatore .....	51
<b>Manutenzione</b> .....	51
<b>Giornaliera</b> .....	52
<b>Manutenzione periodica</b> .....	52
<b>Istruzioni per il montaggio</b> .....	52
<b>Ricerca dei guasti</b> .....	52
<b>Immagazzinamento</b> .....	52
<b>Smaltimento</b> .....	52
<b>Dati tecnici</b> .....	53
<b>Dati della macchina</b> .....	53

## Introduzione

Grazie per aver scelto un prodotto Atlas Copco. Sin dal 1873 siamo stati impegnati nella ricerca di modi nuovi e migliori per soddisfare le necessità dei nostri clienti. Nel corso degli anni abbiamo messo a punto prodotti di concezione innovativa ed ergonomica per aiutare la nostra clientela a migliorare e razionalizzare il proprio lavoro quotidiano.

Atlas Copco dispone di una rete internazionale di vendita e di assistenza organizzata, costituita di centri di assistenza ai clienti e di distributori ubicati in tutto il mondo. I nostri esperti sono professionisti con una formazione altamente specializzata e dotati di vasta conoscenza dei prodotti e di ampia esperienza sulle loro applicazioni. In tutti gli angoli del mondo, Atlas Copco è in grado di offrire assistenza per i prodotti e la competenza idonea a garantire che i suoi clienti possano lavorare con la massima efficienza in qualunque momento.

Per ulteriori informazioni si prega di visitare il sito: [www.atlascopco.com](http://www.atlascopco.com)

Atlas Copco Construction Tools AB

105 23 Stockholm

Sweden

## Informazioni sulle istruzioni per la sicurezza e per l'uso

Scopo di queste istruzioni è fornire le conoscenze per un uso sicuro ed efficiente della macchina. Tali istruzioni offriranno inoltre consigli e indicazioni su come eseguire la normale manutenzione della macchina.

Quando ci si accinge a utilizzare la macchina per la prima volta, leggere queste istruzioni attentamente e accertarsi di averle comprese perfettamente.

## Norme di sicurezza

Per ridurre il rischio di lesioni gravi o morte, per se stessi o altre persone, leggere e comprendere le istruzioni sulla sicurezza e l'uso prima di installare, utilizzare, riparare la macchina, eseguirne la manutenzione o modificare gli accessori della macchina.

Affiggere queste istruzioni per la sicurezza e l'uso nelle sedi di lavoro, fornirne copia agli addetti e assicurarsi che tutti le leggano prima di procedere all'uso o alla manutenzione della macchina.

Inoltre, l'operatore o il proprio datore di lavoro dovrebbero valutare i rischi specifici che potrebbero essere presenti come conseguenza di ciascun utilizzo della macchina.

## Terminologia di sicurezza

Le parole Pericolo, Attenzione e Prudenza hanno i seguenti significati:

<b>PERICOLO</b>	Indica una situazione di pericolo che, qualora non sia evitata, può provocare gravi lesioni personali o morte.
<b>AVVERTENZA</b>	Indica una situazione di pericolo che, qualora non sia evitata, può provocare gravi lesioni personali o morte.
<b>ATTENZIONE</b>	Indica una situazione di pericolo che, qualora non sia evitata, può provocare lievi lesioni personali o di modesta entità.

## Precauzioni e qualifiche personali

L'uso e la manutenzione della macchina sono riservati esclusivamente a personale addestrato e qualificato. Questo deve essere in grado di gestire fisicamente la massa, il peso e la potenza dell'utensile. Utilizzare sempre le regole del buon senso.

### Dispositivi di protezione personale

Utilizzare sempre dispositivi di protezione approvati. Gli operatori e tutte le altre persone presenti nella zona di lavoro devono indossare i dispositivi di protezione, che comprenderanno almeno:

- occhiali di sicurezza resistenti agli urti con protezioni laterali
- guanti protettivi

### Droghe, sostanze alcoliche o farmaci

#### ▲ AVVERTENZA Droghe, sostanze alcoliche o farmaci

Droghe, sostanze alcoliche o farmaci possono compromettere il proprio giudizio e la capacità di concentrazione. Scarsa reattività e valutazioni imprecise possono causare gravi incidenti o morte.

- ▶ Non utilizzare mai la macchina qualora si sia estremamente stanchi o sotto l'effetto di droghe, sostanze alcoliche o farmaci.
- ▶ Persone sotto l'effetto di droghe, sostanze alcoliche o farmaci non possono utilizzare la macchina.

## Installazione, precauzioni

#### ▲ PERICOLO Colpo di frusta del tubo dell'aria

Un tubo ad aria compressa che si scolleghi può avere dei movimenti sferzanti e causare lesioni personali o la morte. Per ridurre tali rischi:

- ▶ Verificare che il tubo flessibile e i collegamenti per l'aria compressa non siano danneggiati, sostituire se necessario.
- ▶ Verificare che tutti i collegamenti per l'aria compressa siano corretti.
- ▶ Non trasportare mai la macchina pneumatica dal tubo dell'aria.
- ▶ non tentare mai di scollegare un tubo ad aria compressa quando è pressurizzato; Interrompere innanzi tutto l'aria compressa sul compressore e spurgare la macchina attivando il dispositivo di avviamento e arresto.
- ▶ Non orientare il tubo flessibile per aria compressa verso se stessi o altri. Per evitare il rischio di lesioni, non utilizzare mai l'aria compressa per eliminare ad es. polvere, sporco ecc. dagli abiti.
- ▶ Non utilizzare raccordi a sgancio rapido sull'ingresso dell'utensile. Utilizzare raccordi filettati dei tubi in acciaio temprato (o materiale con una equivalente resistenza all'urto).
- ▶ Ogni volta che si utilizzano innesti girevoli universali (raccordi istantanei) raccomandiamo di montare perni di blocco e di utilizzare cavi di sicurezza contro i colpi di frusta per evitare eventuali problemi di collegamento tubo-utensile e tubo-tubo.



## Funzionamento, precauzioni

### ▲ PERICOLO Pericolo lubrificatore sotto pressione

Quando il lubrificatore è connesso ad un condotto dell'aria compressa, la camera dell'olio è sotto pressione. Se il tappo di rifornimento è allentato, vi è rischio che dell'olio venga improvvisamente espulso, causando lesioni personali.

- ▶ Scollegare sempre il lubrificatore dal condotto dell'aria compressa prima di allentare il tappo di rifornimento.

### ▲ PERICOLO Rischio di espulsione della vite di dosaggio dell'olio

L'anello di fermo è un arresto di sicurezza che impedisce alla vite di dosaggio dell'olio di essere espulsa. Se la vite di dosaggio dell'olio si allenta, può essere improvvisamente espulsa causando lesioni personali.

- ▶ Non rimuovere mai l'anello di fermo.
- ▶ Non regolare mai il dosaggio dell'olio se l'anello di fermo è assente.

### ▲ AVVERTENZA Pericoli di scivolamento, inciampo e caduta

Esiste un rischio di scivolamento, inciampo e caduta per esempio inciampo sui cavi o su altri oggetti. Scivolamento, inciampo e caduta possono causare lesioni. Per ridurre tali rischi:

- ▶ Accertarsi sempre che non vi siano cavi o altri oggetti che ostacolano il cammino dell'utente o di altri.

### ▲ PERICOLO Pericolo elettrico

La macchina non è isolata elettricamente. In caso di contatto della macchina con l'elettricità possono derivarne lesioni personali gravi o morte.

- ▶ Non mettere mai in funzione la macchina vicino a cavi elettrici o ad altre fonti di elettricità.
- ▶ Accertarsi che non siano presenti cavi nascosti o altre sorgenti elettriche nella zona di lavoro.

## Manutenzione, precauzioni

### ▲ AVVERTENZA Modifica della macchina

Eventuali modifiche alla macchina possono causare lesioni personali all'operatore e ad altre persone.

- ▶ Non modificare mai la macchina. Le macchine modificate non sono coperte da garanzia o responsabilità sul prodotto.
- ▶ Utilizzare sempre ricambi, utensili d'inserimento ed accessori originali approvati dalla Atlas Copco.
- ▶ Sostituire immediatamente i pezzi danneggiati.
- ▶ Sostituire tempestivamente i componenti usurati.

## Conservazione, precauzioni

- ◆ La macchina e gli utensili devono essere conservati in un luogo sicuro e fuori dalla portata dei bambini, chiuso a chiave.

## Avvertenze

Per ridurre il rischio di lesioni gravi o morte, per se stessi o altre persone, prima di utilizzare la macchina leggere la sezione delle istruzioni sulla sicurezza che si trova nelle prime pagine di questo manuale.

## Modello e funzioni

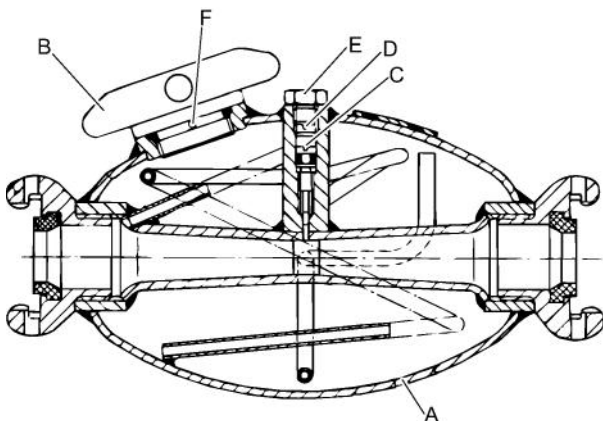
BLG 30 è progettato per lubrificare le attrezzature ad aria compressa utilizzando olio minerale. Non è consentito un uso diverso da quello indicato.

L'aria scorre attraverso il lubrificatore dall'immissione aria, diretta in parte alla macchina pneumatica ed in parte attraverso il tubo dell'aria nella camera dell'olio, in modo che la pressione statica agisca sul livello dell'olio nel lubrificatore. L'aria forza l'olio verso l'alto, nel tubo dell'olio, attraverso sia l'apertura del tubo, sia i piccoli fori praticati nel tubo stesso, facendogli raggiungere infine la vite di dosaggio dell'olio.

Il tubo di scorrimento è fissato opposto al condotto dell'olio (Venturi), aumentando così il tasso di scorrimento dell'aria compressa e riducendo la pressione dell'aria all'imboccatura del condotto dell'olio.

A causa della differenza di pressione, l'olio lubrificante viene spinto verso l'esterno attraverso il tubo di scorrimento, dove viene atomizzato e trasportato con l'aria attraverso il flessibile alla macchina pneumatica. L'alimentazione di olio può essere regolata utilizzando la vite di dosaggio dell'olio per aprire e chiudere il condotto dell'olio.

## Parti principali



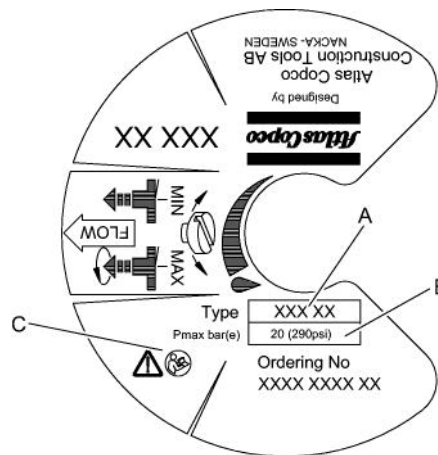
- A. Camera dell'olio
- B. Tappo di rifornimento
- C. Vite di dosaggio dell'olio
- D. Anello di fermo

- E. Tappo
- F. Condotto di sfogo dell'aria

## Etichette

Sulla macchina sono apposte etichette contenenti informazioni importanti per la sicurezza dell'operatore e la manutenzione della macchina. Le condizioni delle etichette devono essere tali da consentirne una facile lettura. È possibile ordinare nuove etichette facendo riferimento all'elenco dei pezzi di ricambio.

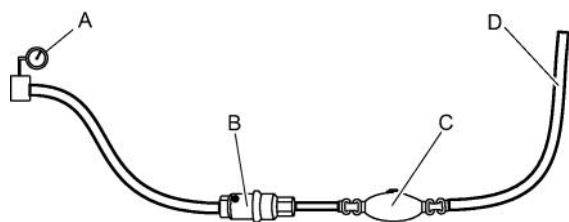
### Etichetta di sicurezza



- A. Tipo di macchina
- B. Pressione pneumatica massima consentita
- C. Il simbolo di attenzione insieme al simbolo del libro indicano che occorre leggere le Istruzioni per la sicurezza e per l'uso quando ci si accinge a utilizzare la macchina per la prima volta.

## Installazione

### Tubi e collegamenti



- A. Sorgente di aria compressa
- B. Separatore di condensa (opzionale)
- C. Lubrificatore

- D. Tubo dell'aria compressa lungo max. 3 m (10 piedi) tra il lubrificatore e la macchina.
- ◆ La pressione massima consentita dell'aria compressa, 20 bar (e) (290 psi), non deve mai essere superata.
  - ◆ Soffiare via eventuali impurità dal tubo dell'aria compressa prima di collegarlo al lubrificatore.
  - ◆ Per il BLG 30 va usato un flessibile con un diametro interno minimo di 20-25 mm ( $\frac{3}{4}$ -1 in.).
  - ◆ Vi è una freccia sul lubrificatore, per indicare la direzione corretta del flusso d'aria. Quando si connette il lubrificatore, assicurarsi che la freccia sia rivolta nella stessa direzione del flusso d'aria.

## Lubrificazione

Il lubrificante è importante per il funzionamento della macchina pneumatica e ha un impatto significativo sulla sua durata utile. Per una buona lubrificazione, la lunghezza del tubo dell'aria tra il lubrificatore separato e la macchina pneumatica non deve superare i 3 metri.

### Gamma di viscosità

Temperatura °C (°F)	Viscosità
Da +15 a +50 (da +59 a +122)	ISO VG 46-68 200-300 SUS
Da -20 a +15 (da -4 a +59)	ISO VG 22-32 100-150 SUS

Per l'olio di lubrificazione consigliato corretto, fare riferimento a Istruzioni per la sicurezza e per l'uso per la macchina pneumatica utilizzata assieme al lubrificatore.

### Regolazione dell'olio

BLG 30 è fornito con la vite di disaggio aperta di 1 giro e  $\frac{1}{2}$ . La vite di dosaggio dell'olio può essere girata fino ad un totale di sei giri completi. Essa è regolabile per fasi.

Per regolare il dosaggio dell'olio, fare come segue:

- ◆ Rimuovere il tappo protettivo.
- ◆ Inserire un cacciavite attraverso il foro nell'anello di fermo sulla vite di dosaggio dell'olio, che è dotata di scanalature apposite all'applicazione del cacciavite.  
Girandola in senso orario il flusso si riduce.  
Girandola in senso antiorario il flusso aumenta.
- ◆ Non rimuovere o svitare mai l'anello di fermo. Se la vite di dosaggio dell'olio si allenta, l'anello di fermo le impedisce di essere sparata via dal lubrificatore.

- ◆ Controllare la porta di scarico della macchina pneumatica per verificare che venga rilasciata una lubrificazione sufficiente.

BLG 30 deve essere utilizzato solo con olio minerale.

## Funzionamento

### Condizioni di esercizio

#### Riempire di olio il lubrificatore

Raboccare sempre il lubrificatore con olio all'avviamento del turno di lavoro.

- ◆ Spegnere l'alimentazione di aria del lubrificatore.
- ◆ Spurgare il condotto dell'aria per rimuovere l'aria intrappolata all'interno.
- ◆ Pulire attorno all'esterno del tappo di riempimento per impedire alle impurità di infiltrarsi nel lubrificatore.
- ◆ Svitare il tappo di riempimento di due giri, aprendo così il condotto di spurgo dell'aria e rilasciando l'eventuale aria compressa residua all'interno del lubrificatore.
- ◆ Riempire il lubrificatore con olio a base minerale.
- ◆ Riapplicare e serrare il tappo di riempimento. Il lubrificatore è ora pronto per l'uso.

## Manutenzione

La manutenzione regolare è un requisito di base perché l'uso del lubrificatore continui ad essere sicuro ed efficiente. Seguire attentamente le istruzioni per la manutenzione.

- ◆ Prima di iniziare la manutenzione sul lubrificatore, pulirlo per evitare l'esposizione a sostanze pericolose.
- ◆ Utilizzare esclusivamente ricambi originali. Eventuali danni o guasti dovuti dall'uso di ricambi non originali non sono coperti da Garanzia o Responsabilità sul Prodotto.
- ◆ In caso di pulizia delle parti meccaniche con un solvente, rispettare tutte le norme di sicurezza vigenti e accertarsi che vi sia una ventilazione adeguata.
- ◆ Per la manutenzione completa del lubrificatore, rivolgersi al proprio centro di assistenza autorizzato.

## Giornaliera

---

Prima di eseguire qualsiasi lavoro di manutenzione sul lubrificatore, spegnere sempre l'alimentazione dell'aria e successivamente scollegare il flessibile dell'aria dal lubrificatore stesso.

- ◆ Pulire ed ispezionare il lubrificatore e le sue funzioni ogni giorno prima di iniziare il lavoro.
- ◆ Eseguire un'ispezione generale per verificare che non vi siano perdite o danni.
- ◆ Controllare che gli innesti a denti siano serrati e non danneggiati.
- ◆ Sostituire immediatamente i pezzi danneggiati.
- ◆ Sostituire tempestivamente i componenti usurati.
- ◆ Assicurarsi che tutta l'attrezzatura, quali le tubazioni, sia sottoposta a corretta manutenzione.

## Manutenzione periodica

---

Una volta l'anno il lubrificatore deve essere smontato e tutti i componenti devono essere puliti e controllati. Questo lavoro deve essere eseguito da personale autorizzato, addestrato per questo compito.

## Istruzioni per il montaggio

---

Quando si rimontano gli innesti a denti sul lubrificatore, applicare LOCTITE® 577™ (LOCTITE è un marchio registrato della Henkel Corporation. 577 è un marchio commerciale della Henkel Corporation).

## Ricerca dei guasti

Se il lubrificatore non funziona correttamente, controllare i seguenti punti.

- ◆ Controllare il livello dell'olio.
- ◆ verificare che le dimensioni e la lunghezza del tubo dell'aria corrispondano a quelle raccomandate. Si veda "Installazione".
- ◆ Controllare se vi sono perdite d'olio attorno al tappo di riempimento.
- ◆ Assicurarsi che non vi siano impurità nella camera dell'olio.
- ◆ Se il funzionamento del lubrificatore non è ancora soddisfacente dopo questi controlli, contattare un'officina di assistenza autorizzata.

## Immagazzinamento

- Pulire bene il lubrificatore prima di riporlo, per evitare la presenza di sostanze pericolose.
- Se il lubrificatore viene riposto pieno d'olio, posizionarlo con il tappo di rifornimento rivolto verso l'alto per impedire che l'olio trapeli attraverso l'imboccatura del tubo dell'aria.
- Riporre sempre il lubrificatore in un luogo asciutto.

## Smaltimento

Una macchina usurata si deve trattare e smaltire in maniera tale che la maggior parte possibile di materiale possa essere riciclata e che eventuali influenze negative sull'ambiente vengano ridotte al minimo anche nel rispetto delle limitazioni locali.

## Dati tecnici

### Dati della macchina

---

<b>Tipo</b>	<b>Peso kg (lb)</b>	<b>Volume l (oz)</b>	<b>Tasso di flusso dell'aria l/s (cfm)</b>
BLG 30	3 (6,6)	1,3 (44)	25-134 (53-284)
BLG 30 US	3 (6,6)	1,3 (44)	25-134 (53-284)

## NEDERLANDS

# Inhoud

Inleiding.....	55
Info over de Veiligheidsvoorschriften en bedieningshandleiding.....	55
<b>Veiligheidsvoorschriften.....</b>	<b>56</b>
<b>Veiligheidssignaaltermen.....</b>	<b>56</b>
<b>Persoonlijke voorzorgsmaatregelen en kwalificaties.....</b>	<b>56</b>
Persoonlijke veiligheidsuitrusting.....	56
Drugs, alcohol of medicijnen.....	56
<b>Installatie, voorzorgsmaatregelen.....</b>	<b>56</b>
<b>Bediening, voorzorgsmaatregelen.....</b>	<b>57</b>
<b>Onderhoud, voorzorgsmaatregelen.....</b>	<b>57</b>
<b>Opslag, voorzorgsmaatregelen.....</b>	<b>57</b>
<b>Overzicht.....</b>	<b>58</b>
<b>Ontwerp en functie.....</b>	<b>58</b>
<b>Hoofdonderdelen.....</b>	<b>58</b>
<b>Stickers.....</b>	<b>58</b>
Veiligheidssticker.....	58
<b>Installatie.....</b>	<b>58</b>
<b>Slangen en aansluitingen.....</b>	<b>58</b>
<b>Smering.....</b>	<b>59</b>
Afstelling olie.....	59
<b>Bediening.....</b>	<b>59</b>
<b>Bediening.....</b>	<b>59</b>
Het smeerapparaat met olie vullen.....	59
<b>Onderhoud.....</b>	<b>59</b>
<b>Iedere dag.....</b>	<b>60</b>
<b>Periodiek onderhoud.....</b>	<b>60</b>
<b>Assemblagevoorschrift.....</b>	<b>60</b>
<b>Oplossen van storingen.....</b>	<b>60</b>
<b>Opslag.....</b>	<b>60</b>
<b>Opruimen.....</b>	<b>60</b>
<b>Technische gegevens.....</b>	<b>61</b>
<b>Machinegegevens.....</b>	<b>61</b>

## Inleiding

Dank u voor het kiezen van een product van Atlas Copco. Sinds 1873 zetten we ons al in voor het vinden van nieuwe en betere manieren om te voorzien in de behoeften van onze klanten. Door de jaren heen hebben we innovatieve en ergonomische producten ontwikkeld die onze klanten hielpen hun dagelijkse werkzaamheden te verbeteren en te rationaliseren.

Atlas Copco beschikt over een sterk wereldwijd verkoop- en servicenetwerk, bestaand uit klantencentra en distributeurs over de gehele wereld. Onze experts zijn hoog opgeleide professionals met uitgebreide productkennis en praktijkervaring. In alle uithoeken van de wereld kunnen we productondersteuning en expertise bieden, om ervoor te zorgen dat onze klanten op ieder moment kunnen werken met maximale efficiëntie.

Bezoek voor meer informatie: [www.atlascopco.com](http://www.atlascopco.com)

Atlas Copco Construction Tools AB  
105 23 Stockholm  
Sweden

## Info over de Veiligheidsvoorschriften en bedieningshandleiding

Het doel van de voorschriften is u te informeren over hoe u de machine op een efficiënte en veilige wijze kunt gebruiken. De voorschriften geven u verder advies en vertellen u hoe u regelmatig onderhoud moet uitvoeren.

Voordat u de machine voor het eerst gebruikt, moet u deze voorschriften zorgvuldig lezen en zorgen dat u alles begrijpt.

## Veiligheidsvoorschriften

Om het risico van ernstig letsel of zelfs overlijden voor uzelf of anderen te beperken, dient u deze Veiligheidsvoorschriften en bedieningshandleiding te hebben gelezen en begrepen voordat u de machine installeert, in gebruik neemt, repareert, onderhoudt of accessoires van de machine vervangt.

Hang deze Veiligheidsvoorschriften en bedieningshandleiding op bij werkplekken, zorg voor kopieën voor werknemers en verzeker u ervan dat iedereen de Veiligheidsvoorschriften en bedieningshandleiding heeft gelezen alvorens de machine te gebruiken of te onderhouden.

Bovendien dient de gebruiker, of de werkgever van de gebruiker, de specifieke risico's te beoordelen, die verbonden kunnen zijn aan de desbetreffende toepassing van de machine.

## Veiligheidssignaaltermen

De veiligheidssignaaltermen Gevaar, Waarschuwing en Voorzichtig hebben de volgende betekenissen:

### GEVAAR

Duidt op een gevaarlijke situatie die, indien deze niet wordt vermeden, de dood of ernstig letsel tot gevolg zal hebben.

### WAARSCHUWING

Duidt op een gevaarlijke situatie die, indien deze niet wordt vermeden, de dood of ernstig letsel tot gevolg kan hebben.

### VOORZICHTIG

Duidt op een gevaarlijke situatie die, indien deze niet wordt vermeden, gering of middelzwaar letsel tot gevolg kan hebben.

## Persoonlijke voorzorgsmaatregelen en kwalificaties

De machine mag uitsluitend worden bediend en onderhouden door hiertoe gekwalificeerde en opgeleide personen. Ze dienen fysiek in staat te zijn om de massa, het gewicht en de kracht van het gereedschap aan te kunnen. Gebruik altijd uw gezond verstand en beoordelingsvermogen.

## Persoonlijke veiligheidsuitrusting

Gebruik altijd goedgekeurde beschermende uitrusting. Operators en alle andere personen binnen het werkgebied moeten beschermende uitrusting dragen, minimaal bestaand uit:

- Slagvaste oogbescherming met zijwaartse bescherming
- Veiligheidshandschoenen

## Drugs, alcohol of medicijnen

### ▲ WAARSCHUWING Drugs, alcohol of medicijnen

Drugs, alcohol en medicijnen kunnen uw beoordelings- en concentratievermogen beïnvloeden. Een gebrekkig reactievermogen en onjuiste beoordelingen kunnen leiden tot ernstige ongevallen of zelfs de dood.

- ▶ Gebruik de machine nooit als u vermoeid bent of onder de invloed van drugs, alcohol of medicijnen.
- ▶ Geen enkele persoon die onder de invloed is van drugs, alcohol of medicijnen mag de machine bedienen.

## Installatie, voorzorgsmaatregelen

### ▲ GEVAAR Zwiepende luchtslang

Een persluchtslang die is losgekomen, kan rondslaan en persoonlijk letsel of de dood veroorzaken. Neem de volgende voorzorgsmaatregelen om dit risico te beperken:

- ▶ Controleer de persluchtslang en de koppelingen op beschadiging en vervang ze indien vereist.
- ▶ Controleer of alle persluchtkoppelingen goed bevestigd zijn.
- ▶ Draag pneumatische machines nooit aan de luchtslang.
- ▶ Probeer nooit een persluchtslang die onder druk staat te ontkoppelen. Zet eerst de perslucht af aan de compressor en ontluft vervolgens de machine door de start- en stopvoorziening te bedienen.
- ▶ Richt een persluchtslang nooit op uzelf of iemand anders. Om het risico van lichamelijk letsel te vermijden, dient u nooit perslucht te gebruiken om stof, vuil, enz., van uw kleding te verwijderen.
- ▶ Gebruik geen snelkoppelingen aan de inlaat van het gereedschap. Gebruik slangkoppelingen met schroefdraad van gehard staal (of materiaal met een vergelijkbare schokweerstand).



- ▶ Bij gebruik van universele draaikoppelingen (klauwkoppelingen) adviseren we om altijd vergrendelingspennen te monteren en veiligheidskabels (whipcheck) te gebruiken, ter bescherming tegen eventuele defecten aan de aansluiting van slang op gereedschap en van slang op slang.

## Bediening, voorzorgsmaatregelen

### ▲ GEVAAR Risico bij smeermiddel dat onder druk staat

Wanneer het smeerapparaat is aangesloten op een persluchtleiding, komt de oliekamer onder druk te staan. Als de vuldop wordt losgedraaid, bestaat er het risico dat de olie eruit spuit. Dat kan leiden tot persoonlijk letsel.

- ▶ Ontkoppel het smeerapparaat altijd van de persluchtleiding voordat u de vuldop losdraait.

### ▲ GEVAAR Risico dat de oliedoseringschroef losspringt

De borgring is een veiligheidsstop die voorkomt dat de oliedoseringschroef losspringt. Als de oliedoseringschroef losraakt, kan deze worden weggeschoten en persoonlijk letsel veroorzaken.

- ▶ Verwijder nooit de borgring.
- ▶ Stel de oliedosering nooit af, als de borgring ontbreekt.

### ▲ WAARSCHUWING Gevaren van uitglijden, struikelen en vallen

Het risico van uitglijden, struikelen en vallen is aanwezig, bij voorbeeld dat men over slangen of andere voorwerpen struikelt. Uitglijden, struikelen en vallen kunnen lichamelijk letsel veroorzaken. Neem de volgende voorzorgsmaatregelen om dit risico te beperken:

- ▶ Zorg er altijd voor dat er geen slangen en andere voorwerpen voor uzelf en voor anderen in de weg liggen.

### ▲ GEVAAR Elektrisch gevaar

De machine is niet elektrisch geïsoleerd. Als de machine in contact komt met elektriciteit, kan dat leiden tot ernstig letsel of de dood.

- ▶ De machine nooit bedienen in de buurt van een elektriciteitskabel of een andere elektriciteitsbron.
- ▶ Verzeker u ervan dat er geen sprake is van verborgen bedrading of andere elektriciteitsbronnen binnen het werkterrein.

## Onderhoud, voorzorgsmaatregelen

### ▲ WAARSCHUWING Modifieren van de machine

Iedere modificatie van de machine kan resulteren in lichamelijk letsel voor u zelf of anderen.

- ▶ Modificeer de machine onder geen beding. Gemodificeerde machines worden niet gedekt door de garantie of productaansprakelijkheid.
- ▶ Gebruik uitsluitend originele onderdelen, inzetgereedschappen en accessoires die zijn goedgekeurd door Atlas Copco.
- ▶ Vervang beschadigde onderdelen onmiddellijk.
- ▶ Vervang versleten componenten op tijd.

## Opslag, voorzorgsmaatregelen

- ◆ Bewaar de machine en gereedschappen op een veilige plaats, buiten het bereik van kinderen en achter slot en grendel.

## Overzicht

Om het risico van ernstig letsel of overlijden voor u zelf of anderen te reduceren, dient u voordat u de machine gaat gebruiken de Veiligheidsvoorschriften te lezen, die u vindt op de voorgaande pagina's van dit handboek.

## Ontwerp en functie

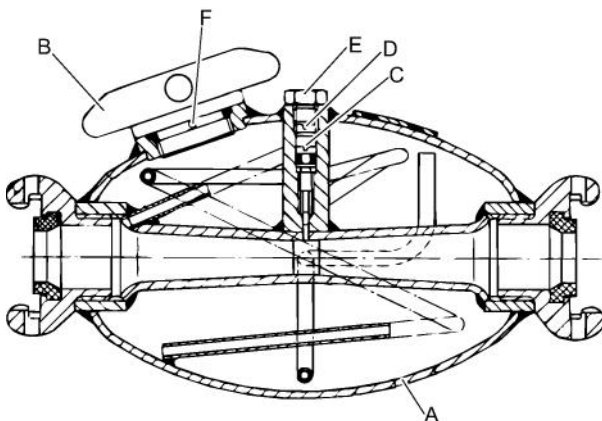
BLG 30 is ontworpen om persluchtapparatuur te smeren met gebruik van minerale olie. Ander gebruik is niet toegestaan.

Luchtstromen door het smeeraapparaat via de luchtinlaat, gedeeltelijk rechtstreeks naar de pneumatische machine en gedeeltelijk via de luchtleiding naar de oliekamer, zodat de statische druk op het oliepeil in het smeeraapparaat reageert. De lucht dwingt de olie te stijgen in de olieleiding via zowel de leidingopening als de kleine boorgaten in de olieleiding om ten slotte de oliedooserschroef te bereiken.

De doorstroomleiding is vastgeknepen tegenover de oliebus (venturi), zodat de stroomsnelheid van de perslucht wordt vergroot en de luchtdruk bij de mond van de oliebus wordt verlaagd.

Vanwege het drukverschil wordt de smeerolie naar buiten gedwongen in de doorstroomleiding, waar de olie wordt verstoven en door de lucht via de slang naar de pneumatische machine wordt getransporteerd. De olievoorraad kan worden geregeld met gebruik van de oliedooserschroef om de oliebus te openen of te sluiten.

## Hoofdonderdelen



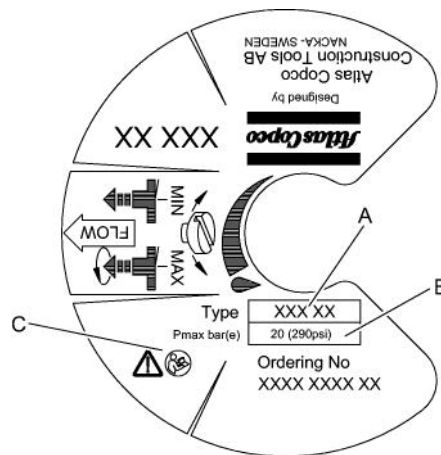
- A. Oliekamer
- B. Vuldop
- C. Oliedooserschroef
- D. Borgring

- E. Dop
- F. Ontluchtungsbus

## Stickers

De machine is voorzien van stickers met belangrijke informatie over persoonlijke veiligheid en machineonderhoud. De stickers moeten in dusdanige staat zijn, dat ze makkelijk leesbaar zijn. Nieuwe stickers kunt u bestellen uit de reserveonderdelenlijst.

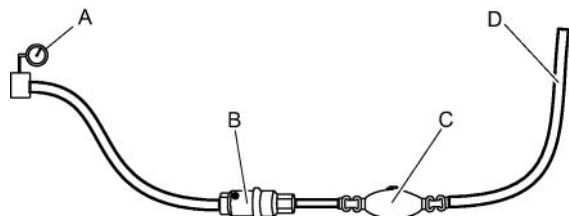
### Veiligheidssticker



- A. Machinetype
- B. Maximaal toegestane luchtdruk
- C. Het waarschuwingssymbool samen met het boeksymbool betekent dat de gebruiker de Veiligheidsvoorschriften en de bedieningshandleiding moet lezen voordat de machine voor het eerst wordt gebruikt.

## Installatie

### Slangen en aansluitingen



- A. Persluchtbron
- B. Waterafscheider (optioneel)
- C. Smeeraapparaat

- D. Max. 3 m (10 ft) persluchtslang tussen het smeerapparaat en de pneumatische machine.
- ◆ De maximaal toegestane luchtdruk, 20 bar (e) (290 psi), mag niet worden overschreden.
  - ◆ Blaas eventuele onzuiverheden uit de persluchtslang voordat u deze aansluit op het smeerapparaat.
  - ◆ Voor de BLG 30 moet een slang met een minimum inwendige diameter van 20 - 25 mm ( $\frac{3}{4}$ -1 in.) worden gebruikt.
  - ◆ Er staat een pijl op het smeerapparaat om de correcte richting van de luchtstroom aan te duiden. Zorg er bij het aansluiten van het smeerapparaat voor dat de pijl in dezelfde richting wijst als de luchtstroom.

## Smering

Het smeermiddel is belangrijk voor de werking van de pneumatische machine en is van grote invloed op zijn levensduur. Om een goede smering te garanderen mag de lengte van de luchtslang tussen het aparte smeerapparaat en de pneumatische machine niet meer zijn dan 3 meter.

### Bereik viscositeit

Temperatuurbereik °C (°F)	Viscositeit
+15 tot +50 (+59 tot +122)	ISO VG 46-68 200-300 SUS
-20 tot +15 (-4 tot +59)	ISO VG 22-32 100-150 SUS

Zie voor de juiste aanbevolen smeerolie de Info over de Veiligheidsvoorschriften en bedieningshandleiding voor de pneumatische machine die samen met het smeerapparaat wordt gebruikt.

### Afstelling olie

BLG 30 wordt geleverd met de oliedoseringschroef 1 ½ slagen geopend. De oliedoseringschroef kan in totaal zes volledige slagen worden gedraaid. Deze is traploos af te stellen.

Ga als volgt te werk om de oliedosering af te stellen:

- ◆ verwijder de veiligheidsplug.
- ◆ Steek een schroevendraaier door het gat in de borgring naar de oliedoseringschroef die groeven heeft voor de schroevendraaier.  
Met de wijzers van de klok mee wordt de oliestroom verminderd.  
Tegen de wijzers van de klok in wordt de oliestroom vergroot.
- ◆ Verwijder nooit de borgring en schroef deze nooit los. Als de oliedoseringschroef los gaat zitten, zal de borgring voorkomen dat deze uit het smeerapparaat schiet.
- ◆ Controleer de uitlaatpoort van de pneumatische machine om te kijken of er voldoende smeermiddel uitkomt.

BLG 30 mag alleen samen met minerale olie worden gebruikt.

## Bediening

### Bediening

#### Het smeerapparaat met olie vullen

Vul het smeerapparaat altijd volledig na het begin van de ploegendienst.

- ◆ Schakel de luchttoevoer naar het smeerapparaat uit.
- ◆ Ontlucht de luchtleiding, verwijder ingesloten lucht.
- ◆ Reinig rondom de buitenkant van de vuldop om te voorkomen dat er vuil het smeerapparaat binnendringt.
- ◆ Schroef de vuldop 2 slagen los. Daardoor wordt de ontluichtingsbuis geopend en ontsnapt alle resterende perslucht in het smeerapparaat.
- ◆ Vul het smeerapparaat met een minerale olie.
- ◆ Plaats de vuldop opnieuw en draai deze vast. Het smeerapparaat is nu klaar voor gebruik.

## Onderhoud

Regelmatig onderhoud is een basisvereiste voor een blijvend veilig en doelmatig gebruik van het smeerapparaat. Volg de onderhoudsaanwijzingen zorgvuldig.

- ◆ Reinig het smeerapparaat voordat u begint met onderhoud om blootstelling aan gevaarlijke stoffen te voorkomen.
- ◆ Gebruik alleen originele onderdelen. Schade of defecten die veroorzaakt zijn door het gebruik van niet-originele onderdelen, worden niet gedekt door onze garantie of productaansprakelijkheid.
- ◆ Neem voor het reinigen van mechanische onderdelen met oplosmiddelen de toepasselijke gezondheids- en veiligheidsbepalingen in acht en controleer of er voldoende ventilatie is.
- ◆ Voor grote servicewerkzaamheden aan het smeerapparaat, neemt u contact op met de dichtstbijzijnde erkende werkplaats.

## Iedere dag

Voordat u enig onderhoud aan het smeerapparaat uitvoert, moet u altijd de luchttoevoer uitschakelen en daarna de luchtslang van het smeerapparaat ontkoppelen.

- ◆ Reinig en inspecteer het smeerapparaat en zijn functies dagelijks voor aanvang van het werk.
- ◆ Voer een algemene inspectie uit op lekkages en schade.
- ◆ Controleer of de klauwkoppelingen zijn vastgemaakt en niet zijn beschadigd.
- ◆ Vervang beschadigde onderdelen onmiddellijk.
- ◆ Vervang versleten componenten op tijd.
- ◆ Zorg ervoor dat alle bevestigde onderdelen en randapparatuur, zoals slangen, goed worden onderhouden.

## Periodiek onderhoud

Een maal per jaar moet het smeerapparaat worden gedemonteerd en moeten alle onderdelen worden gereinigd en gecontroleerd. Dit werk moet worden uitgevoerd door bevoegd personeel dat is opgeleid voor deze taak.

## Assemblagevoorschrift

Wanneer de klauwkoppelingen op het smeerapparaat opnieuw worden gemonteerd, dient LOCTITE® 577™ (LOCTITE is een geregistreerd handelsmerk van Henkel Corporation 577 is een handelsmerk van de Henkel Corporation) te worden gebruikt.

## Oplossen van storingen

Als het smeerapparaat niet naar behoren werkt, moet u de volgende punten controleren.

- ◆ Controleer het oliepeil.
- ◆ Controleer of de afmeting en de lengte van de luchtslang conform de aanbevelingen zijn. Zie "Installatie".
- ◆ Controleer op lekkage rondom de vuldop.
- ◆ Controleer of er geen vuil in de oliekamer zit.
- ◆ Als het smeerapparaat na deze procedure nog steeds niet goed werkt: neem contact op met een erkende werkplaats.

## Opslag

- Reinig het smeerapparaat grondig voordat u deze opbergt om blootstelling aan gevaarlijke stoffen te vermijden.
- Als het smeerapparaat gevuld met olie wordt opgeslagen, dient deze met de vuldop omhoog wijzend te worden geplaatst om te voorkomen dat er olie lekt via de mond van de luchtleiding.
- Bewaar het smeerapparaat altijd op een droge plaats.

## Opruimen

Een verbruikte machine moet dusdanig worden verwerkt en verwijderd dat het grootst mogelijke deel van het materiaal kan worden gerecycled, dat negatieve effecten op het milieu tot een minimum worden beperkt en met inachtneming van plaatselijke restricties.

# Technische gegevens

## Machinegegevens

Type	Gewicht kg (lb)	Volume l (oz)	Bereik luchtstroming l/s (cfm)
BLG 30	3 (6,6)	1,3 (44)	25-134 (53-284)
BLG 30 US	3 (6,6)	1,3 (44)	25-134 (53-284)

## ΕΛΛΗΝΙΚΑ

**Περιεχόμενα**

Εισαγωγή.....	63
Σχετικά με τις οδηγίες ασφαλείας και χειρισμού.....	63
Οδηγίες ασφαλείας.....	64
Λέξεις σημάτων ασφαλείας.....	64
Προσωπικές προφυλάξεις και πιστοποιήσεις.....	64
Ατομικός προστατευτικός εξοπλισμός.....	64
Ναρκωτικά, αλκοόλ, φάρμακα.....	64
Εγκατάσταση, προφυλάξεις.....	64
Λειτουργία, προφυλάξεις.....	65
Συντήρηση, προφυλάξεις.....	65
Αποθήκευση, προφυλάξεις.....	65
Επισκόπηση.....	66
Σχεδιασμός και λειτουργία.....	66
Κύρια μέρη.....	66
Ετικέτες.....	66
Ετικέτα ασφαλείας.....	67
Εγκατάσταση.....	67
Εύκαμπτοι σωλήνες και συνδέσεις.....	67
Λίπανση.....	67
Ρύθμιση λαδιού.....	67
Χειρισμός.....	68
Χειρισμός.....	68
Πλήρωση λιπαντήρα με λάδι.....	68
Συντήρηση.....	68
Κάθε ημέρα.....	68
Περιοδική συντήρηση.....	68
Οδηγίες συναρμολόγησης.....	69
Αντιμετώπιση προβλημάτων.....	69
Αποθήκευση.....	69
Απόρριψη.....	69
Τεχνικά δεδομένα.....	70
Δεδομένα μηχανήματος.....	70

## Εισαγωγή

Σας ευχαριστούμε που επιλέξατε ένα προϊόν της Atlas Copco. Από το 1873, έτος ίδρυσης της εταιρείας μας, ανακαλύπτουμε διαρκώς νέους και καλύτερους τρόπους ικανοποίησης των επαγγελματικών αναγκών των πελατών μας. Μέσα στα χρόνια, αναπτύξαμε καινοτόμα και εργονομικά προϊόντα που βοήθησαν τους πελάτες μας να βελτιώσουν και να οργανώσουν ορθολογικά την καθημερινή τους εργασία.

Η Atlas Copco διαθέτει ένα ισχυρό παγκόσμιο δίκτυο πωλήσεων και σέρβις, αποτελούμενο από κέντρα εξυπηρέτησης πελατών και από διανομείς σε όλο τον κόσμο. Οι ειδικοί μας είναι άριστα εκπαιδευμένοι επαγγελματίες με βαθιά γνώση των προϊόντων μας και με πολύχρονη εμπειρία στην εφαρμογή των λύσεων που αναπτύσσει η εταιρεία μας. Σε κάθε γωνιά του πλανήτη, είμαστε σε θέση να προσφέρουμε εξειδικευμένη και αξιόπιστη υποστήριξη για τα προϊόντα μας, ώστε οι πελάτες μας να μπορούν να εργάζονται με τη μέγιστη αποδοτικότητα σε κάθε περίπτωση.

Για περισσότερες πληροφορίες, επισκεφθείτε την τοποθεσία Web:  
[www.atlascopco.com](http://www.atlascopco.com)

Atlas Copco Construction Tools AB  
105 23 Stockholm  
Sweden

## Σχετικά με τις οδηγίες ασφάλειας και χειρισμού

Σκοπός των οδηγιών είναι να σας προσφέρουν τις γνώσεις που απαιτούνται για το χειρισμό του μηχανήματος με αποτελεσματικό και ασφαλή τρόπο. Οι οδηγίες παρέχουν, επίσης, συμβουλές και περιγράφουν τη διαδικασία εκτέλεσης τακτικής συντήρησης στο μηχάνημα.

Πριν χρησιμοποιήσετε το μηχάνημα για πρώτη φορά πρέπει να διαβάσετε αυτές τις οδηγίες προσεκτικά και να τις κατανοήσετε πλήρως.

## Οδηγίες ασφαλείας

Προς ελαχιστοποίηση του κινδύνου σοβαρού τραυματισμού ή θανάτου στον εαυτό σας ή άλλους, φροντίστε να διαβάσετε και να κατανοήσετε τις Οδηγίες ασφαλείας και χειρισμού πριν από την εγκατάσταση, λειτουργία, επισκευή, συντήρηση ή αλλαγή παρελκόμενων στο μηχάνημα.

Αναρτήστε αυτό το έντυπο Οδηγιών ασφαλείας και χειρισμού στους χώρους εργασίας, διανείμετε αντίγραφα του στους εργαζόμενους και φροντίστε ώστε να διαβάσουν όλοι αυτές τις Οδηγίες ασφαλείας και χειρισμού πριν από τη χρήση ή τη διενέργεια σέρβις στο μηχάνημα.

Επιπλέον, ο χειριστής ή ο εργοδότης του χειριστή θα πρέπει να προβαίνει σε αξιολόγηση των ειδικών κινδύνων που ενδέχεται να ενέχονται ως αποτέλεσμα της κάθε χρήσης του μηχανήματος.

## Λέξεις σημάτων ασφαλείας

Οι λέξεις σημάτων ασφαλείας «Danger» (Κίνδυνος), «Warning» (Προειδοποίηση) και «Caution» (Προσοχή) έχουν την ακόλουθη σημασία:

<b>ΚΙΝΔΥΝΟΣ</b>	Υποδεικνύει μια επικίνδυνη κατάσταση που εάν δεν αποφευχθεί, θα προκαλέσει σοβαρού βαθμού ή θανατηφόρο τραυματισμό.
<b>ΠΡΟΕΙΔΟΠΟΙΗΣΗ</b>	Υποδεικνύει μια επικίνδυνη κατάσταση που εάν δεν αποφευχθεί, μπορεί να προκαλέσει σοβαρού βαθμού ή θανατηφόρο τραυματισμό.
<b>ΠΡΟΣΟΧΗ</b>	Υποδεικνύει μια επικίνδυνη κατάσταση που εάν δεν αποφευχθεί, μπορεί να προκαλέσει ελαφρού ή μετρίου βαθμού τραυματισμό.

## Προσωπικές προφυλάξεις και πιστοποιήσεις

Ο χειρισμός και η συντήρηση του μηχανήματος πρέπει να διενεργείται μόνον από εξουσιοδοτημένο και εκπαιδευμένο προσωπικό. Πρέπει να διαθέτουν κατάλληλη σωματική ικανότητα προς χειρισμό του όγκου, του βάρους και της ισχύος του εργαλείου. Να χρησιμοποιείτε πάντα κοινή λογική και καλή κρίση.

## Ατομικός προστατευτικός εξοπλισμός

Να χρησιμοποιείτε πάντοτε εγκεκριμένο προστατευτικό εξοπλισμό. Οι χειριστές και όλα τα άλλα άτομα που βρίσκονται στο χώρο εργασίας πρέπει να φορούν προστατευτικό εξοπλισμό που να περιλαμβάνει τουλάχιστον τα εξής:

- Προστατευτικά γυαλιά ανθεκτικά στην κρούση με πλευρική προστασία
- Προστατευτικά γάντια

## Ναρκωτικά, αλκοόλ, φάρμακα

### ▲ ΠΡΟΕΙΔΟΠΟΙΗΣΗ Ναρκωτικά, αλκοόλ, φάρμακα

Τα ναρκωτικά, το αλκοόλ και τα φάρμακα μπορεί να επηρεάσουν αντίξοα την κρίση σας και την ικανότητα συγκέντρωσης. Κακές αντιδράσεις και λανθασμένες εκτιμήσεις μπορούν να οδηγήσουν σε σοβαρά ατυχήματα ή θάνατο.

- ▶ Μη χρησιμοποιείτε ποτέ το μηχάνημα εάν είστε κουρασμένοι ή υπό την επήρεια ναρκωτικών, αλκοόλ ή φαρμάκων.
- ▶ Δεν επιτρέπεται ο χειρισμός του μηχανήματος από άτομα που βρίσκονται υπό την επήρεια ναρκωτικών, αλκοόλ ή φαρμάκων.

## Εγκατάσταση, προφυλάξεις

### ▲ ΚΙΝΔΥΝΟΣ Ανεξέλεγκτες κινήσεις του εύκαμπτου σωλήνα

Εάν ένας εύκαμπτος σωλήνας πεπιεσμένου αέρα αποσυνδεθεί ενώ βρίσκεται υπό πίεση, είναι δυνατόν να κινηθεί με μεγάλη ταχύτητα και δύναμη και να προκαλέσει σοβαρό τραυματισμό ή θάνατο. Για να ελαχιστοποιήσετε αυτόν τον κίνδυνο:

- ▶ Βεβαιωθείτε ότι ο εύκαμπτος σωλήνας πεπιεσμένου αέρα και οι συνδέσεις δεν έχουν υποστεί ζημία, φροντίστε για την αντικατάστασή τους εάν απαιτείται.
- ▶ Βεβαιωθείτε ότι όλες οι συνδέσεις πεπιεσμένου αέρα είναι κατάλληλα προσαρμοσμένες.
- ▶ Μην μεταφέρετε ποτέ ένα πνευματικό μηχάνημα συγκρατώντας το από τον εύκαμπτο σωλήνα αέρα.
- ▶ Μην επιχειρήσετε ποτέ να αποσυνδέσετε έναν εύκαμπτο σωλήνα πεπιεσμένου αέρα όταν βρίσκεται υπό πίεση. Πρώτα διακόψτε την παροχή πεπιεσμένου αέρα στο συμπιεστή και στη συνέχεια εξαερώστε το μηχάνημα ενεργοποιώντας τη διάταξη εκκίνησης/διακοπής της λειτουργίας.



- ▶ Μην στρέφετε ποτέ έναν εύκαμπτο σωλήνα πεπιεσμένου αέρα προς το σώμα σας ή προς την κατεύθυνση άλλου ατόμου. Για να αποφύγετε τον κίνδυνο τραυματισμού, μην χρησιμοποιείτε ποτέ πεπιεσμένο αέρα για να απομακρύνετε ακαθαρσίες, σκόνη κ.λ.π. από τα ρούχα σας.
- ▶ Μην χρησιμοποιείτε ζεύξεις ταχείας αποσύνδεσης στην εισαγωγή του εργαλείου. Να χρησιμοποιείτε εξαρτήματα με σπείρωμα στερέωσης εύκαμπτου σωλήνα από σκληρυμένο χάλυβα (ή υλικό με συγκρίσιμη αντοχή στις κρούσεις).
- ▶ Όταν χρησιμοποιείτε ζεύξεις συστροφής (ζεύξεις με σιαγόνες), συνιστάται η τοποθέτηση πείρων ασφάλισης και η χρήση καλωδίων ασφαλείας για τον έλεγχο ανεξέλεγκτων κινήσεων ώστε να παρέχεται προστασία σε περίπτωση αστοχίας των συνδέσεων μεταξύ εύκαμπτου σωλήνα και εργαλείου όπως και μεταξύ τμημάτων εύκαμπτου σωλήνα.

## Λειτουργία, προφυλάξεις

### ▲ ΚΙΝΔΥΝΟΣ Κίνδυνος λιπαντήρα υπό πίεση

Όταν ένας λιπαντήρας συνδέεται σε γραμμή πεπιεσμένου αέρα, ο θάλαμος λαδιού τίθεται υπό πίεση. Εάν ξεσφίξετε το πώμα πλήρωσης, υπάρχει κίνδυνος εκτόξευσης λαδιού, πράγμα το οποίο ενδέχεται να προκαλέσει τραυματισμό.

- ▶ Να αποσυνδέετε πάντα το λιπαντήρα από τη γραμμή πεπιεσμένου αέρα πριν ξεσφίξετε το πώμα πλήρωσης.

### ▲ ΚΙΝΔΥΝΟΣ Κίνδυνος εκτίναξης βίδας δοσομετρίας λαδιού

Ο δακτύλιος ασφάλισης είναι ένας αναστολέας ασφαλείας ο οποίος εμποδίζει την εκτίναξη της βίδας δοσομετρίας λαδιού. Εάν η βίδα δοσομετρίας λαδιού είναι χαλαρή, ενδέχεται να εκτιναχθεί και να προκαλέσει τραυματισμό.

- ▶ Μην αφαιρέσετε ποτέ το δακτύλιο ασφάλισης.
- ▶ Μην ρυθμίζετε ποτέ τη λειτουργία δοσομετρίας λαδιού, εάν δεν υπάρχει δακτύλιος ασφάλισης.

### ▲ ΠΡΟΕΙΔΟΠΟΙΗΣΗ Κίνδυνοι λόγω ολίσθησης, παραπατήματος και πτώσης

Υπάρχει κίνδυνος ολίσθησης ή παραπατήματος και πτώσης, π.χ. παραπατήματος πάνω στους εύκαμπτους σωλήνες ή άλλα αντικείμενα. Η ολίσθηση, το παραπάτημα και η πτώση είναι δυνατόν να προκαλέσουν τραυματισμό. Για να ελαχιστοποιήσετε αυτόν τον κίνδυνο:

- ▶ Να φροντίζετε πάντα ώστε να μην υπάρχει κανένας εύκαμπτος σωλήνας ή άλλο αντικείμενο στο δρόμο σας ή στο δρόμο οποιοδήποτε άλλου ατόμου.

### ▲ ΚΙΝΔΥΝΟΣ Κίνδυνος από το ηλεκτρικό ρεύμα

Το μηχάνημα δεν είναι ηλεκτρικά μονωμένο. Εάν το μηχάνημα έλθει σε επαφή με ηλεκτρικό ρεύμα, ενδέχεται να προκληθεί σοβαρού βαθμού ή θανατηφόρος τραυματισμός.

- ▶ Μην χρησιμοποιείτε ποτέ το μηχάνημα κοντά σε ηλεκτρικά καλώδια ή άλλη πηγή ηλεκτρισμού.
- ▶ Βεβαιωθείτε ότι δεν υπάρχουν κρυμμένα καλώδια ή άλλες πηγές ηλεκτρισμού στην περιοχή εργασίας σας.

## Συντήρηση, προφυλάξεις

### ▲ ΠΡΟΕΙΔΟΠΟΙΗΣΗ Τροποποίηση μηχανήματος

Οποιαδήποτε τροποποίηση του μηχανήματος ενδέχεται να προκαλέσει τραυματισμό σε εσάς ή τρίτους.

- ▶ Μην τροποποιήσετε ποτέ το μηχάνημα. Τα τροποποιημένα μηχανήματα δεν καλύπτονται από εγγύηση ή ευθύνη για το προϊόν.
- ▶ Να χρησιμοποιείτε πάντα γνήσια εξαρτήματα, εργαλεία εισαγωγής και παρελκόμενα εγκεκριμένα από την Atlas Copco.
- ▶ Να αντικαθιστάτε αμέσως τα εξαρτήματα που έχουν υποστεί ζημία.
- ▶ Να αντικαθιστάτε εγκαίρως τα εξαρτήματα τα οποία παρουσιάζουν ίχνη φθοράς.

## Αποθήκευση, προφυλάξεις

- ♦ Να φυλάσσετε το μηχάνημα και τα εργαλεία σε ασφαλή χώρο, κλειδωμένο και απρόσιτο στα παιδιά.

## Επισκόπηση

Για να μειώσετε τον κίνδυνο πρόκλησης σοβαρού ή θανατηφόρου τραυματισμού στον εαυτό σας ή σε άλλους, διαβάστε την ενότητα «Οδηγίες ασφάλειας» (βρίσκεται στις προηγούμενες σελίδες του παρόντος εγχειριδίου) πριν χρησιμοποιήσετε το μηχάνημα.

## Σχεδιασμός και λειτουργία

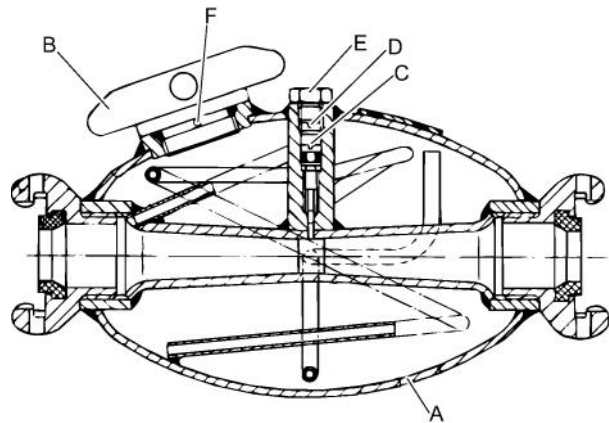
Το BLG 30 έχει σχεδιαστεί για τη λίπανση εξοπλισμού πεπιεσμένου αέρα, χρησιμοποιώντας ορυκτέλαιο. Δεν επιτρέπεται καμία άλλη χρήση.

Η ροή αέρα διέρχεται από το λιπαντήρα διαμέσου της εισόδου αέρα, ένα μέρος της διοχετεύεται απευθείας στο πνευματικό μηχάνημα και το υπόλοιπο διαμέσου του σωλήνα αέρα οδηγείται στο θάλαμο λαδιού ώστε η στατική πίεση να επενεργεί στη στάθμη λαδιού στο εσωτερικό του λιπαντήρα. Ο αέρας ωθεί το λάδι προς τα άνω μέσα στο σωλήνα λαδιού διαμέσου του ανοίγματος του σωλήνα και των μικρών οπών στο σωλήνα λαδιού, ώστε να φθάσει τελικά στη βίδα δοσομετρίας λαδιού.

Ο σωλήνας διέλευσης στενεύει απέναντι από τον αγωγό λαδιού (Venturi), έτσι ώστε να επιτυγχάνεται αύξηση του ρυθμού ροής του πεπιεσμένου αέρα και μείωση της πίεσης του αέρα στο στόμιο του αγωγού λαδιού.

Λόγω της διαφοράς πίεσης, το λάδι λίπανσης εξωθείται μέσα στο σωλήνα διέλευσης όπου το λάδι μετατρέπεται σε νέφος λεπτών σταγονιδίων και μεταφέρεται με τον αέρα μέσω του εύκαμπτου σωλήνα στο πνευματικό μηχάνημα. Η ρύθμιση της παροχής λαδιού επιτυγχάνεται μέσω της βίδας δοσομετρίας λαδιού η οποία ανοίγει ή κλείνει τον αγωγό λαδιού.

## Κύρια μέρη

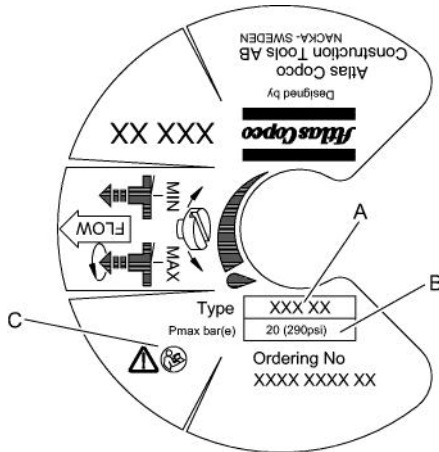


- A. Θάλαμος λαδιού
- B. Τάπα φίλτρου
- C. Βίδα δοσομετρίας λαδιού
- D. Δακτύλιος ασφάλισης
- E. Πώμα
- F. Αγωγός εξαέρωσης

## Ετικέτες

Στο μηχάνημα υπάρχουν ετικέτες που περιέχουν σημαντικές πληροφορίες σχετικά με την προσωπική ασφάλεια και τη συντήρηση του μηχανήματος. Οι ετικέτες απαιτείται να βρίσκονται σε καλή κατάσταση, ώστε να διευκολύνεται η ανάγνωσή τους. Μπορείτε να παραγγείλετε ετικέτες από τον κατάλογο ανταλλακτικών εξαρτημάτων.

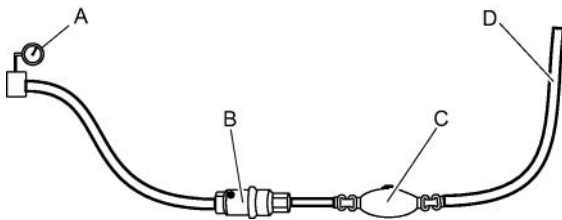
## Ετικέτα ασφαλείας



- A. Τύπος μηχανήματος
- B. Μέγιστη επιτρεπόμενη πίεση πεπιεσμένου αέρα
- C. Το προειδοποιητικό σύμβολο μαζί με το σύμβολο του βιβλίου σημαίνουν ότι ο χειριστής απαιτείται να διαβάσει τις Οδηγίες ασφαλείας και χειρισμού πριν χρησιμοποιήσει το μηχάνημα για πρώτη φορά.

## Εγκατάσταση

### Εύκαμπτοι σωλήνες και συνδέσεις



- A. Παροχή πεπιεσμένου αέρα
- B. Διαχωριστής νερού (προαιρετικό)
- C. Λιπαντήρας
- D. Έως 3 m (10 ft) εύκαμπτου σωλήνα πεπιεσμένου αέρα μεταξύ λιπαντήρα και πνευματικού μηχανήματος.

- ♦ Απαγορεύεται υπέρβαση της μέγιστης επιτρεπόμενης πίεσης αέρα, 20 bar (e) (290 psi).
- ♦ Φυσήστε για να απομακρύνετε τυχόν ακαθαρσίες από το εσωτερικό του εύκαμπτου σωλήνα πεπιεσμένου αέρα πριν από τη σύνδεση στο λιπαντήρα.
- ♦ Όσον αφορά το BLG 30, απαιτείται εύκαμπτος σωλήνας ελάχιστης εσωτερικής διαμέτρου 20-25 mm (3/4-1 in.).
- ♦ Ο λιπαντήρας φέρει ένδειξη βέλους, η οποία υποδεικνύει τη σωστή κατεύθυνση της ροής αέρα. Κατά τη σύνδεση του λιπαντήρα, βεβαιωθείτε ότι το βέλος υποδεικνύει την ίδια κατεύθυνση με εκείνη της ροής αέρα.

## Λίπανση

Το λιπαντικό παίζει σημαντικό ρόλο στη λειτουργία του πνευματικού μηχανήματος και επηρεάζει σημαντικά την ωφέλιμη διάρκεια ζωής του προϊόντος. Για εγγυημένα επαρκή λίπανση, το μήκος του εύκαμπτου σωλήνα αέρα μεταξύ χωριστού λιπαντήρα και πνευματικού μηχανήματος δεν πρέπει να υπερβαίνει τα 3 μέτρα.

### Εύρος ιξώδους

Θερμοκρασία °C (°F)	Ιξώδες
+15 έως +50 (+59 έως +122)	ISO VG 46-68 200-300 SUS
-20 έως +15 (-4 έως +59)	ISO VG 22-32 100-150 SUS

Όσον αφορά το συνιστώμενο τύπο λαδιού λίπανσης, ανατρέξτε στις Οδηγίες ασφαλείας και χειρισμού του πνευματικού μηχανήματος που χρησιμοποιείται με το λιπαντήρα.

### Ρύθμιση λαδιού

Το BLG 30 παραδίδεται με τη βίδα δοσομετρίας λαδιού ρυθμισμένη ανοικτή κατά 1 ½ στροφές. Με περιστροφή της βίδας δοσομετρίας λαδιού καλύπτονται συνολικά έξι πλήρεις στροφές. Ρυθμίζεται με συνεχή μεταβολή.

Για να ρυθμίσετε τη λειτουργία δοσομετρίας λαδιού, εκτελέστε τα εξής:

- ♦ Αφαιρέστε το πώμα προστασίας.
- ♦ Εισάγετε ένα κατσαβίδι στην οπή του δακτυλίου ασφάλισης στη βίδα δοσομετρίας λαδιού, η οποία διαθέτει αύλακες για το κατσαβίδι.  
Με δεξιόστροφη περιστροφή, η ροή λαδιού μειώνεται.  
Με αριστερόστροφη περιστροφή, η ροή λαδιού αυξάνεται.
- ♦ Μην ξεβιδώσετε ούτε να αφαιρέσετε ποτέ το δακτύλιο ασφάλισης. Εάν η βίδα δοσομετρίας λαδιού είναι χαλαρή, ο δακτύλιος ασφάλισης εμποδίζει την εκτίναξη της από το λιπαντήρα.
- ♦ Ελέγξτε τη θύρα εξαγωγής του πνευματικού μηχανήματος για να διαπιστώσετε ότι εξάγεται επαρκής ποσότητα λιπαντικού.

Το BLG 30 πρέπει να χρησιμοποιείται μόνο με ορυκτέλαιο.

## Χειρισμός

### Χειρισμός

#### Πλήρωση λιπαντήρα με λάδι

Να φροντίζετε πάντα για τη συμπλήρωση του λαδιού στο λιπαντήρα, πριν από την έναρξη της βάρδιας.

- ♦ Κλείστε την παροχή αέρα του λιπαντήρα.
- ♦ Εξαερώστε τη γραμμή αέρα, ώστε να εκτονωθεί τυχόν παγιδευμένος αέρας.
- ♦ Καθαρίστε την περιοχή γύρω από το πώμα πλήρωσης, ώστε να αποτραπεί η διείσδυση ακαθαρσιών στο λιπαντήρα.
- ♦ Ξεβιδώστε το πώμα πλήρωσης κατά δύο στροφές, έτσι επιτυγχάνεται άνοιγμα του αγωγού εξαέρωσης και εκτόνωση τυχόν πεπιεσμένου αέρα στο εσωτερικό του λιπαντήρα.
- ♦ Φροντίστε για την πλήρωση του λιπαντήρα με ορυκτέλαιο.
- ♦ Τοποθετήστε εκ νέου και σφίξτε το πώμα πλήρωσης. Ο λιπαντήρας είναι πλέον έτοιμος για χρήση.

## Συντήρηση

Η τακτική συντήρηση είναι βασική προϋπόθεση για τη συνεχή, ασφαλή και αποτελεσματική χρήση του λιπαντήρα. Τηρήστε τις οδηγίες συντήρησης με προσοχή.

- ♦ Πριν αρχίσετε με τη συντήρηση του λιπαντήρα, καθαρίστε τον ώστε να αποφύγετε την έκθεση σε επικίνδυνες χημικές ουσίες.
- ♦ Να χρησιμοποιείτε μόνο γνήσια ανταλλακτικά. Τυχόν ζημία ή δυσλειτουργία οφειλόμενη στη χρήση μη εγκεκριμένων εξαρτημάτων δεν καλύπτεται από την εγγύηση ή την ευθύνη για το προϊόν.
- ♦ Όταν καθαρίζετε μηχανικά εξαρτήματα με διαλυτικό, να συμμορφώνεστε με τους ισχύοντες κανονισμούς υγείας και ασφάλειας και να φροντίζετε ώστε ο αερισμός να είναι επαρκής.
- ♦ Για εκτεταμένες εργασίες σέρβις του λιπαντήρα, απευθυνθείτε στο πλησιέστερο εξουσιοδοτημένο συνεργείο.

## Κάθε ημέρα

Πριν από την έναρξη οποιασδήποτε εργασίας συντήρησης στο λιπαντήρα, να κλείνετε πάντα την παροχή αέρα και στη συνέχεια να αποσυνδέετε τον εύκαμπτο σωλήνα αέρα από το λιπαντήρα.

- ♦ Καθαρίστε και επιθεωρήστε το λιπαντήρα και τις λειτουργίες του, κάθε ημέρα πριν από την έναρξη της εργασίας.
- ♦ Διενεργήστε γενική επιθεώρηση για διαρροές και ζημίες.
- ♦ Ελέγξτε εάν οι ζεύξεις με σιαγόνες είναι σφιγμένες και χωρίς ζημίες.
- ♦ Αντικαταστήστε αμέσως τα εξαρτήματα που έχουν υποστεί ζημία.
- ♦ Αντικαταστήστε εγκαίρως τα εξαρτήματα που έχουν υποστεί φθορά.
- ♦ Φροντίστε ώστε το σύνολο του συνδεδεμένου και σχετικού εξοπλισμού, όπως εύκαμπτοι σωλήνες, να συντηρούνται κατάλληλα.

## Περιοδική συντήρηση

Μία φορά το χρόνο, απαιτείται αποσυναρμολόγηση του λιπαντήρα, καθαρισμός και έλεγχος όλων των εξαρτημάτων. Η εργασία αυτή πρέπει να εκτελείται από εξουσιοδοτημένο προσωπικό, εκπαιδευμένο σε εργασίες αυτού του είδους.

## Οδηγίες συναρμολόγησης

Κατά την εκ νέου συναρμολόγηση των ζεύξεων με σιαγόνες στο λιπαντήριο, εφαρμόστε LOCTITE® 577™ (η επωνυμία LOCTITE είναι σήμα κατατεθέν της Henkel Corporation. Το 577 είναι εμπορικό σήμα της Henkel Corporation).

## Αντιμετώπιση προβλημάτων

Εάν ο λιπαντήρας δεν λειτουργεί κανονικά, ελέγξτε τα ακόλουθα σημεία.

- ♦ Ελέγξτε τη στάθμη λαδιού.
- ♦ Βεβαιωθείτε ότι το μέγεθος και το μήκος του εύκαμπτου σωλήνα αέρα συμφωνούν με τις συνιστώμενες τιμές. Βλ. «Εγκατάσταση».
- ♦ Ελέγξτε για διαρροή στην περιοχή γύρω από το πώμα πλήρωσης.
- ♦ Βεβαιωθείτε ότι δεν υπάρχουν ακαθαρσίες στο εσωτερικό του θαλάμου λαδιού.
- ♦ Εάν η λειτουργία του λιπαντήρα εξακολουθεί να μην είναι ικανοποιητική μετά από τη συγκεκριμένη διαδικασία, απευθυνθείτε σε ένα εξουσιοδοτημένο συνεργείο σέρβις.

## Αποθήκευση

- Καθαρίστε το λιπαντήριο κατάλληλα πριν από την αποθήκευση, ώστε να αποτραπεί η συσσώρευση επικίνδυνων χημικών ουσιών.
- Εάν ο λιπαντήρας αποθηκευτεί πλήρης με λάδι, τοποθετήστε τον ώστε το πώμα πλήρωσης να είναι στραμμένο προς τα άνω ώστε να αποτραπεί η διαρροή λαδιού από το στόμιο του σωλήνα αέρα.
- Να αποθηκεύετε πάντα το λιπαντήριο σε στεγνό χώρο.

## Απόρριψη

Ένα μεταχειρισμένο μηχάνημα πρέπει να απορρίπτεται με τέτοιο τρόπο και βάσει των τοπικών περιορισμών, ώστε η ανακύκλωση του μεγαλύτερου μέρους των υλικών να είναι εφικτή και οι τυχόν αρνητικές επιπτώσεις στο περιβάλλον να ελαχιστοποιούνται.

## Τεχνικά δεδομένα

### Δεδομένα μηχανήματος

Τύπος	Βάρος kg (lb)	Όγκος l (oz)	Εύρος ροής αέρα l/s (cfm)
BLG 30	3 (6,6)	1,3 (44)	25-134 (53-284)
BLG 30 US	3 (6,6)	1,3 (44)	25-134 (53-284)



## SUOMI

**Sisällys**

Johdanto.....	73
Tietoja turvallisuusohjeista ja käyttöohjeesta.....	73
<b>Turvallisuusohjeet.....</b>	<b>74</b>
<b>Turvasignaali-tekstit.....</b>	<b>74</b>
<b>Henkilökohtaiset varotoimenpiteet ja valmiudet.....</b>	<b>74</b>
Henkilökohtainen suojavarustus.....	74
Huumeet ja alkoholin tai lääkkeiden käyttö.....	74
<b>Asennus, varotoimenpiteet.....</b>	<b>74</b>
<b>Käyttö, varotoimenpiteet.....</b>	<b>75</b>
<b>Huolto, varotoimenpiteet.....</b>	<b>75</b>
<b>Varastointi, varotoimenpiteet.....</b>	<b>75</b>
<b>Yleistä.....</b>	<b>76</b>
<b>Rakenne ja toiminta.....</b>	<b>76</b>
<b>Tärkeimmät osat.....</b>	<b>76</b>
<b>Tarrat.....</b>	<b>76</b>
Turvamerkintä.....	76
<b>Asennus.....</b>	<b>76</b>
<b>Letkut ja liitännät.....</b>	<b>76</b>
<b>Voitelu.....</b>	<b>77</b>
Öljyvirtauksen säätö.....	77
<b>Käyttö.....</b>	<b>77</b>
<b>Käyttö.....</b>	<b>77</b>
Öljyn lisääminen voitelulaitteeseen.....	77
<b>Huolto.....</b>	<b>77</b>
<b>Päivittäin.....</b>	<b>77</b>
<b>Määräaikaishuollot.....</b>	<b>78</b>
<b>Kokoamisohje.....</b>	<b>78</b>
<b>Vianmääritys.....</b>	<b>78</b>
<b>Varastointi.....</b>	<b>78</b>
<b>Käytöstä poisto.....</b>	<b>78</b>
<b>Tekniset tiedot.....</b>	<b>79</b>
<b>Koneen tiedot.....</b>	<b>79</b>



## Johdanto

Kiitos kun valitsit Atlas Copcon tuotteen. Jo vuodesta 1873 lähtien olemme halunneet kehittää uusia ja parempia tapoja täyttää asiakkaittemme tarpeet. Vuosien mittaan olemme suunnitelleet uudentyyppisiä ja ergonomisia tuotteita, joiden avulla asiakkaamme ovat voineet tehostaa ja rationalisoida päivittäistä työtään.

Atlas Copcolla on tehokas, asiakaspalvelukeskuksista ja jälleenmyyjäliikkeistä koostuva maailmanlaajuinen myynti- ja huoltoverkosto. Erikoiskoulutuksen saaneet asiantuntijamme hallitsevat kaiken tuotteisiimme ja sovelluksiimme liittyvän tiedon. Voimme tarjota tuotetukea ja asiantuntijapalveluita kaikkialla maailmassa, ja siten asiakkaamme voivat olla varmoja, että he pystyvät työskentelemään kaikkina aikoina parhaalla mahdollisella tehokkuudella.

Lisätietoja on osoitteessa: [www.atlascopco.com](http://www.atlascopco.com)

Atlas Copco Construction Tools AB  
105 23 Stockholm  
Sweden

## Tietoja turvallisuusohjeista ja käyttöohjeesta

Ohjeiden tarkoituksena on neuvoa käyttäjille koneen tehokas ja turvallinen käyttötapa. Ohjeissa neuvotaan myös, miten tehdään koneen säännönmukaiset kunnossapitotoimenpiteet.

Ennen koneen käyttöönottoa sinun on perehdyttävä näihin ohjeisiin perusteellisesti.

## Turvallisuusohjeet

Ennen kuin alat asentaa, käyttää, korjata tai huoltaa konetta tai vaihtaa sen lisävarusteita, perehdy turvallisuusohjeisiin ja käyttöohjeeseen.

Turvallisuusohjeita noudattamalla välttätään vakavilta vammautumisilta ja hengenvaaralta.

Toimita nämä turvallisuusohjeet ja käyttöohje työkohteisiin ja anna työntekijöille kopiot. Varmista, että kaikki konetta käsittelevät perehtyvät turvallisuusohjeisiin ja käyttöohjeeseen ennen koneen käyttöä tai huoltotöitä.

Lisäksi koneen käyttäjän tai hänen työnantajansa tulee arvioida koneen käytöstä johtuvat erityiset työturvallisuusriskit.

## Turvasignaali-tekstit

Turvasignaali-tekstit Vaara, Varoitus ja Huomio tarkoittavat seuraavaa:

<b>VAARA</b>	Välitön vaaratilanne, jonka laiminlyönti johtaa hengenvaaraan tai vakavaan vammautumiseen.
<b>VAROITUS</b>	Välitön vaaratilanne, jonka laiminlyönti voi johtaa hengenvaaraan tai vakavaan vammautumiseen.
<b>HUOMIO</b>	Mahdollinen vaaratilanne, jonka laiminlyönti voi johtaa vähäiseen tai lievään vammaan.

## Henkilökohtaiset varotoimenpiteet ja valmiudet

Vain ammattitaitoiset ja koulutetut henkilöt saavat käyttää tai huoltaa konetta. Heidän täytyy olla riittävän voimakkaita käsittelemään painavaa työkalua. Luota aina terveeseen järkeen ja älä tee mitään harkitsematonta.

### Henkilökohtainen suojavarustus

Käytä aina hyväksytyjä suojavarusteita. Koneen käyttäjän ja muiden työalueella olevien henkilöiden on käytettävä henkilösuojaimia, vähintään:

- sivusuojilla varustettuja iskunkestäviä suojalaseja
- suojakäsineitä

### Huumeet ja alkoholin tai lääkkeiden käyttö

#### ▲ VAROITUS Huumeet ja alkoholin tai lääkkeiden käyttö

Huumeet, alkoholi tai lääkkeet voivat heikentää arvostelukykäsi ja keskittymistäsi. Reagoitakyvyn heikkeneminen ja väärät tilannearviot voivat johtaa vakavaan vammautumiseen tai hengenvaaraan.

- ▶ Älä käytä konetta, jos olet väsynyt tai huumeiden, alkoholin tai lääkkeiden vaikutuksen alaisena.
- ▶ Huumeiden, alkoholin tai lääkkeiden vaikutuksen alaisena oleva henkilö ei saa käyttää konetta.

## Asennus, varotoimenpiteet

#### ▲ VAARA Ympäristöä piiskaava paineilmaletku

Irti päässyt paineilmaletku voi iskeytyä hallitsemattomasti ja aiheuttaa henkilövahingon tai hengenvaarallisia tilanteita. Vaaratilanteiden estämiseksi:

- ▶ Tarkista, että paineilmaletku ja sen liittimet ovat ehjät. Tarvittaessa vaihda osat uusiin.
- ▶ Tarkista, että paineilmaletkun kaikki liittimet ovat oikein paikallaan.
- ▶ Älä koskaan kanno paineilmakäyttöistä konetta sen ilmaletkun varassa.
- ▶ Älä koskaan yritä irrottaa paineistettuna olevaa ilmaletkua liitännästä. Katkaise ensin paineilman tulo kompressorista ja tyhjennä sitten kone paineilmasta painamalla liipaisinta.
- ▶ Älä koskaan osoita paineistetulla ilmaletkulla itseäsi tai ketään muuta. Loukkaantumisvaaran välttämiseksi älä koskaan yritä puhdistaa pölyä tai likaa vaatteistasi paineilmalla.
- ▶ Älä käytä työkalun kiinnitykseen pikaliittimiä. Käytä karkaistusta teräksestä (tai vastaavan iskunkestävyyden materiaalista) valmistettuja, paikalleen kierrettäviä letkunliittimiä.
- ▶ Käytettäessä yleismallisia, kierrettäviä liittimiä (kynsiliittimiä) suosittelemme lukkotappien asentamista ja turvavajereita, joilla estetään letkujen hallitsematonta piiskaamista, mikäli letkun ja työkalun liitännä tai letkuliitin rikkoutuu.

## Käyttö, varotoimenpiteet

### ▲ VAARA Paineistetun voitelulaitteen vaara

Kun voitelulaite on kytketty paineilmalinjaan, öljykammio on paineistettuna. Jos täyttötulppaa löysätään, on vaarana, että öljy ruiskuaa ulos voimakkaasti ja aiheuttaa henkilövahinkoja.

- ▶ Irrota voitelulaite aina paineilmalinjasta, ennen kuin alat löysätä täyttötulppaa.

### ▲ VAARA Sinkoutuva öljynannostusruuvin vaara

Lukkorengas toimii turvapysäyttimenä, joka estää öljynannostusruuvin sinkoutumisen irti. Jos öljynannostusruuvi irtoaa, se voi iskeytyä hallitsemattomasti ja aiheuttaa henkilövahingon.

- ▶ Älä koskaan irrota lukkorengasta.
- ▶ Älä koskaan ala säätää öljyn annostusta, jos lukkorengas ei ole paikallaan.

### ▲ VAROITUS Liukastumis-, kompastumis- ja kaatumisvaarat

Työmaalla on esimerkiksi letkujen tai muiden esteiden johdosta liukastumis-, kompastumis- ja kaatumisvaara. Liukastuminen, kompastuminen tai kaatuminen voi aiheuttaa henkilövahinkoja. Vaaratilanteiden estämiseksi:

- ▶ Varmista, että omalla tai muiden henkilöiden reiteillä ei ole letkuja tai muita esteitä.

### ▲ VAARA Sähkövirran aiheuttamat vaaratilanteet

Konetta ei ole eristetty sähköiskuja vastaan. Koneeseen kohdistuva sähkövirta saattaa johtaa vakavaan vammautumiseen tai hengenvaaraan.

- ▶ Älä koskaan käytä konetta sähköjohtojen tai muiden sähkölaitteiden lähellä.
- ▶ Varmista, että työskentelyalueella ei ole piileviä johtoja tai muita sähkölaitteita.

## Huolto, varotoimenpiteet

### ▲ VAROITUS Koneen muutostyöt

Jos koneeseen tehdään muutostöitä, seurauksena saattaa olla vakavia vammoja sekä itsellesi että muille.

- ▶ Älä koskaan tee koneeseen muutostöitä. Koneet, joihin on tehty muutostöitä, eivät kuulu takuun tai tuotevastuun piiriin.
- ▶ Käytä aina alkuperäisvaraosia, työkaluja ja Atlas Copcon hyväksymiä lisävarusteita.
- ▶ Uusi vaurioituneet osat viipymättä.

- ▶ Uusi kuluneet koneenosat hyvissä ajoin.

## Varastointi, varotoimenpiteet

- ◆ Säilytä kone ja työkalut turallisessa ja lukitussa paikassa poissa lasten ulottuvilta.

## Yleistä

Ennen kuin alat käyttää konetta, perehdy oppaan edellisillä sivuilla olevaan, turvallisuusohjeita käsittelevään kohtaan. Turvallisuusohjeita noudattamalla vältytään vakavilta vammautumisilta ja hengenvaaralta.

## Rakenne ja toiminta

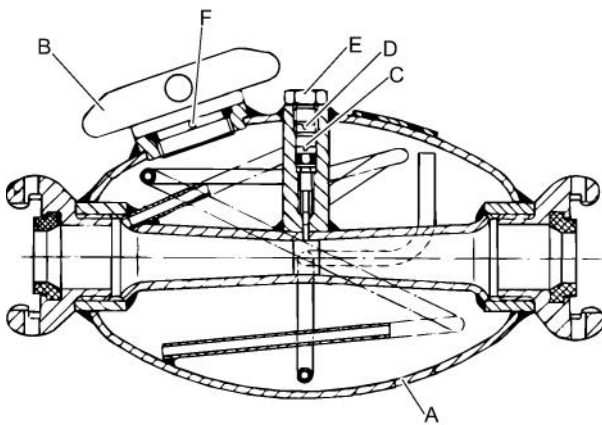
BLG 30 on tarkoitettu voitelemaan paineilmalaitteita käyttäen mineraalipohjaista öljyä. Muunlainen käyttö ei ole sallittua.

Ilmaa virtaa voitelulaitteen läpi ilmanottoaukon kautta, osittain suoraan paineilmakoneeseen ja osittain ilmaputken läpi öljykammioon, jolloin voitelulaitteen öljyntasoon kohdistuu staattinen paine. Ilma pakottaa öljyn ylöspäin öljyputkea pitkin ja edelleen sekä putken aukon että putken porattujen pienten reikien läpi aina öljynannostusruuviin saakka.

Läpivirtausputkessa on vastapäätä öljykanavaa (Venturi) sijoitettu supistuma, mikä suurentaa paineilman virtausnopeutta ja vähentää ilmanpainetta öljykanavan päässä.

Paine-eron johdosta voiteluöljy pakottuu läpivirtausputkeen, jossa öljy sumuttuu ja ilmavirta johtaa sen ilmaletkua pitkin paineilmakoneeseen. Öljynsyöttöä voidaan säätää öljynannostusruuvilla, joka avaa tai sulkee öljykanavaa.

## Tärkeimmät osat

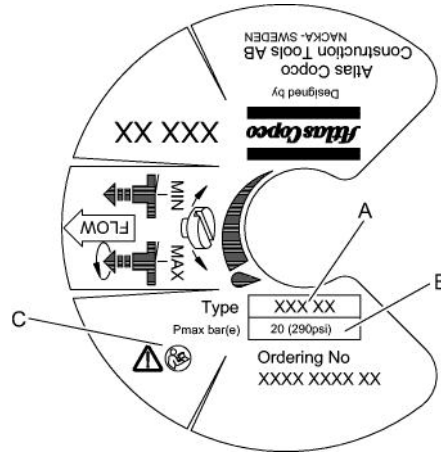


- A. Öljykammio
- B. Täyttötulppa
- C. Öljynannostusruuvi
- D. Lukkorengas
- E. Tulppa
- F. Ilmanpoistokanava

## Tarrat

Tässä koneessa on käyttöturvallisuuden kannalta tärkeät turva- ja huoltokilvet. Kilvet on pidettävä sellaisessa kunnossa, että ne on helppo lukea. Uusia kilpiä voi tilata varaosaluettelon avulla.

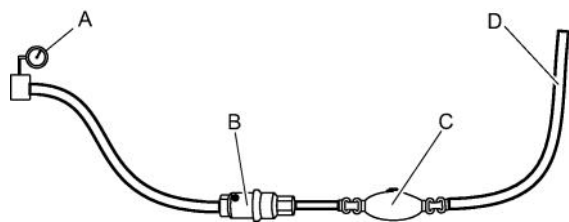
### Turvamerkintä



- A. Konetyyppi
- B. Suurin sallittu paineilman paine
- C. Varoitusymboli ja kirjasyntoli tarkoittavat, että käyttäjän on perehdyttävä turvallisuusohjeisiin ja käyttöohjeeseen ennen koneen ensimmäistä käyttökertaa.

## Asennus

### Letkut ja liitännät



- A. Paineilmalähde
- B. Vedenerotin (lisävaruste)
- C. Voitelulaite
- D. Enintään 3 m (10 ft) voitelulaitteen ja paineilmakoneen välistä paineilmaletkua.

- ◆ Koneen suurinta sallittua ilmanpainetta, 20 bar (e) (290 psi), ei saa ylittää.
- ◆ Puhalla mahdolliset epäpuhtaudet paineilmaletkusta, ennen kuin liität sen voitelulaitteeseen.
- ◆ BLG 30 -mallissa on käytettävä sisähalkaisijaltaan vähintään 20-25 mm (¾-1 in.) letkua.
- ◆ Voitelulaitteessa oleva nuoli ilmaisee ilmavirtauksen oikean suunnan. Kytkiessäsi voitelulaitetta varmista, että nuoli osoittaa samaan suuntaan ilmavirtauksen kanssa.

## Voitelu

Voitelu on tärkeää koneen toiminnan kannalta, ja se vaikuttaa merkittävästi koneen käyttöikään. Riittävän voitelun varmistamiseksi erillisesti sijoitetun voitelulaitteen ja paineilmakoneen välinen letku saa olla enintään 3 metrin mittainen.

### Viskositeettialue

Lämpötila °C (°F)	Viskositeetti
+15 – +50 (+59 – +122)	ISO VG 46-68 200-300 SUS
-20 – +15 (-4 – +59)	ISO VG 22-32 100-150 SUS

Katso tiedot suosituksen mukaisesta oikeasta voiteluöljystä voitelulaitteen kanssa käytettävän paineilmakoneen turvallisuusohjeista ja käyttöohjeesta.

### Öljyvirtauksen säätö

BLG 30 toimitetaan siten, että öljynannostusruuvi on avattuna 1 ½ kierrosta. Öljynannostusruuvia voi kiertää kiinni kaikkiaan kuusi täyttä kierrosta. Se on portaattomasti säädettävissä.

Säädä öljyn annostusta seuraavasti:

- ◆ Irrota suojatulppa.
- ◆ Työnnä ruuvitaltta lukkorenkaassa olevan aukon kautta öljynannostusruuviin, jossa on urat ruuvitaltta varten.  
Kierro myötäpäivään pienentää öljyvirtausta.  
Kierro vastapäivään suurentaa öljyvirtausta.
- ◆ Älä koskaan kierrä irti tai irrota lukkorengasta. Jos öljynannostusruuvi irtoaa, lukkorengas estää sitä sinkoutumasta irti voitelulaitteesta.
- ◆ Tarkista paineilmakoneen poistoaukosta, että riittävä määrä voiteluainetta poistuu.

BLG 30 -laitteessa saa käyttää ainoastaan mineraaliöljyä.

## Käyttö

## Käyttö

### Öljyn lisääminen voitelulaitteeseen

Lisää voitelulaitteeseen tarvittava määrä öljyä jokaisen työvuoron alussa.

- ◆ Katkaise voitelulaitteeseen tuleva paineilmansyöttö.
- ◆ Päästä paine ilmaputkesta.
- ◆ Puhdista täyttötulpan ympäristö, jotta voitelulaitteeseen ei pääse likaa.
- ◆ Avaa täyttötulppaa kaksi kierrosta, mikä avaa ilmanpoistokanavan ja päästää voitelulaitteessa jäljellä olevan paineen pois.
- ◆ Lisää voitelulaitteeseen mineraalipohjaista öljyä.
- ◆ Asenna täyttötulppa ja kiristä se. Voitelulaite on nyt käyttövalmis.

## Huolto

Säännöllinen kunnossapito on voitelulaitteen turvallisen ja tehokkaan käytön perusedellytys. Noudata huolto-ohjeita tarkkaan.

- ◆ Ennen voitelulaitteen huoltotöiden aloittamista puhdista se, jotta et altistu vaarallisille aineille.
- ◆ Käytä ainoastaan hyväksytyjä varaosia. Muiden kuin hyväksytyjen varaosien käytön aiheuttamat vahingot tai viat eivät kuulu takuun tai tuotevastuun piiriin.
- ◆ Puhdistaessasi mekaanisia osia liuottimella varmista, että työ tehdään voimassa olevien työsuojelumääräysten mukaisesti, ja huolehdi riittävästä tuuletuksesta.
- ◆ Jos voitelulaitteelle on tehtävä suuria huoltotöitä, ota yhteyttä lähimpään valtuutettuun huoltokorjaamoon.

## Päivittäin

Katkaise paineilmansyöttö ja irrota ilmaletku aina ennen voitelulaitteen huoltotöiden aloittamista.

- ◆ Puhdista ja tutki voitelulaite ja sen toiminnot päivittäin ennen työn aloittamista.
- ◆ Tutki kaikki mahdolliset vuoto- ja vauriokohteet.
- ◆ Tarkasta, että kynsiliittimet ovat ehjiä ja kiristettyinä.

- ◆ Vaihda vaurioituneet osat viipymättä.
- ◆ Vaihda kuluneet osat hyvissä ajoin.
- ◆ Varmista, että kaikki laitteiston osat, esimerkiksi letkut, huolletaan oikein.

## Määräaikaishuollot

---

Voitelulaite on purettava ja kaikki osat on puhdistettava ja tarkastettava kerran vuodessa. Työ on annettava asianmukaisen koulutuksen saaneen, valtuutetun henkilöstön tehtäväksi.

## Kokoamisohje

---

Asentaessasi kynsiliittimet paikalleen voitelulaitteeseen käytä LOCTITE® 577™ -kierrelukitettä (LOCTITE on Henkel Corporationin rekisteröity tavaramerkki. 577 on Henkel Corporationin tavaramerkki).

## Vianmääritys

Jos voitelulaite ei toimi oikein, tarkista seuraavat kohdat.

- ◆ Tarkista öljyn määrä.
- ◆ Tarkista, että ilmaletkun mitoitus ja pituus ovat suositusten mukaiset. Katso kohta "Asennus"
- ◆ Tarkista, näkyykö täyttötulpan ympärillä vuotoa.
- ◆ Varmista, että öljykammiossa ei ole likaa.
- ◆ Jos voitelulaitteen toiminta ei ole tyydyttävä näidenkään tarkistusten jälkeen, ota yhteyttä valtuutettuun huoltokorjaamoon.

## Varastointi

- Puhdista voitelulaite asianmukaisesti ennen varastointia, jotta vältetään altistuminen vaarallisille aineille.
- Jos voitelulaite varastoidaan öljyllä täytettynä, sijoita laite niin, että täyttötulppa osoittaa ylöspäin. Näin estetään öljyä vuotamasta ilmaputken päästä.
- Säilytä voitelulaite aina kuivassa paikassa.

## Käytöstä poisto

Käytetty kone käsitellään ja romutetaan siten, että mahdollisimman suuri määrä materiaalista voidaan kierrättää paikallisten määräysten mukaan ja ympäristöhaitat pidetään mahdollisimman pieninä.

## Tekniset tiedot

### Koneen tiedot

Tyyppi	Paino kg (lb)	Tilavuus l (oz)	Ilmavirtausalue l/s (cfm)
BLG 30	3 (6,6)	1,3 (44)	25-134 (53-284)
BLG 30 US	3 (6,6)	1,3 (44)	25-134 (53-284)

## DANSK

## Indhold

Indledning.....	81
Om disse sikkerhedsinstruktioner og betjeningsvejledningen.....	81
<b>Sikkerhedsinstruktioner.....</b>	<b>82</b>
<b>Sikkerhed, signalord.....</b>	<b>82</b>
<b>Personlige forholdsregler og kvalifikationer.....</b>	<b>82</b>
Personligt beskyttelsesudstyr.....	82
Narkotika, alkohol eller medicin.....	82
<b>Montering, forholdsregler.....</b>	<b>82</b>
<b>Betjening, forholdsregler.....</b>	<b>82</b>
<b>Vedligeholdelse, forholdsregler.....</b>	<b>83</b>
<b>Opbevaring, forholdsregler.....</b>	<b>83</b>
<b>Oversigt.....</b>	<b>84</b>
<b>Konstruktion og funktion.....</b>	<b>84</b>
<b>Hovedkomponenter.....</b>	<b>84</b>
<b>Mærkater.....</b>	<b>84</b>
Sikkerhedsmærkat.....	84
<b>Montering.....</b>	<b>84</b>
<b>Slanger og tilslutninger.....</b>	<b>84</b>
<b>Smøring.....</b>	<b>85</b>
Justering af olien.....	85
<b>Betjening.....</b>	<b>85</b>
<b>Betjening.....</b>	<b>85</b>
Fyldning af smøreanordningen med olie.....	85
<b>Vedligeholdelse.....</b>	<b>85</b>
<b>Hver dag.....</b>	<b>85</b>
<b>Periodisk vedligeholdelse.....</b>	<b>86</b>
<b>Monteringsvejledning.....</b>	<b>86</b>
<b>Fejlfinding.....</b>	<b>86</b>
<b>Opbevaring.....</b>	<b>86</b>
<b>Bortskaffelse.....</b>	<b>86</b>
<b>Tekniske data.....</b>	<b>87</b>
<b>Maskinens data.....</b>	<b>87</b>



## Indledning

Tak, fordi De har købt et Atlas Copco-produkt. Siden 1873 har det været vores mål at finde nye og bedre måder at dække vores kunders behov på. Gennem årene har vi udviklet innovative og ergonomiske produkter, der har hjulpet vores kunder med at forbedre og rationalisere den daglige drift.

Atlas Copco har et stærkt globalt salgs- og servicenetværk med kundecentre og distributører i hele verden. Vores eksperter er veluddannede fagfolk med omfattende kendskab til produkterne og erfaring i brugen af dem. Overalt i verden kan vi tilbyde produktsupport og ekspertise, der sikrer, at vores kunder kan arbejde med maksimal effektivitet til enhver tid.

Yderligere information findes på: [www.atlascopco.com](http://www.atlascopco.com)

Atlas Copco Construction Tools AB

105 23 Stockholm

Sweden

## Om disse sikkerhedsinstruktioner og betjeningsvejledningen

Formålet med vejledningen er at give Dem viden om, hvordan maskinen anvendes effektivt og sikkert. Vejledningen indeholder desuden gode råd og giver anvisninger om regelmæssig vedligeholdelse af maskinen.

Læs omhyggeligt alle instruktionerne, så De forstår dem, før De bruger maskinen for første gang.

## Sikkerhedsinstruktioner

For at reducere risikoen for alvorlig tilskadekomst eller død for Dem selv eller andre skal De læse og forstå sikkerhedsinstruktionerne og betjeningsvejledningen, inden De arbejder med, reparerer, vedligeholder eller udskifter tilbehør på maskinen.

Slå sikkerhedsinstruktionerne og betjeningsvejledningen op på de steder, hvor der arbejdes med maskinen, udlevér kopier til Deres ansatte, og sørg for, at alle læser sikkerhedsinstruktionerne og betjeningsvejledningen, før de arbejder med eller vedligeholder maskinen.

Desuden bør operatøren, eller dennes arbejdsgiver, vurdere de specifikke risici, som kunne forekomme i forbindelse med brug af maskinen.

## Sikkerhed, signalord

Signalordene Fare, Advarsel og Forsigtig har følgende betydninger:

<b>FARE</b>	Angiver en farlig situation, som, hvis den ikke forhindres, vil medføre død eller alvorlig tilskadekomst.
<b>ADVARSEL</b>	Angiver en farlig situation, som, hvis den ikke forhindres, kan medføre død eller alvorlig tilskadekomst.
<b>FORSIGTIG</b>	Angiver en farlig situation, som, hvis den ikke forhindres, kan medføre mindre eller moderat tilskadekomst.

## Personlige forholdsregler og kvalifikationer

Kun kvalificeret og trænet personale må betjene og vedligeholde maskinen. De skal rent fysisk være i stand til at håndtere godset, vægten og værktøjets kraft. Brug altid sund fornuft og god dømmekraft.

### Personligt beskyttelsesudstyr

Anvend altid godkendt beskyttelsesudstyr. Operatører og alle andre personer i arbejdsområdet skal være iført beskyttelsesudstyr, herunder som et minimum:

- Slagfaste beskyttelsesbriller med sidebeskyttelse
- Beskyttelseshandsker

### Narkotika, alkohol eller medicin

#### ▲ ADVARSEL Narkotika, alkohol eller medicin

Narkotika, alkohol eller medicin kan påvirke Deres dømmekraft og koncentrationsevne. Nedsat reaktionsevne og forkerte vurderinger kan medføre alvorlige ulykker eller dødsfald.

- ▶ Brug aldrig maskinen når De er træt eller under indflydelse af narkotika, alkohol eller medicin.
- ▶ Ingen personer, der er under indflydelse af narkotika, alkohol eller medicin, må betjene maskinen.

## Montering, forholdsregler

#### ▲ FARE Piskende luftslange

En tryklufsslange der går løs, kan piske frem og tilbage og forårsage personskade eller dødsfald. Sådan reduceres risikoen:

- ▶ Kontrollér, at tryklufsslangen og -forbindelserne ikke er beskadigede, udskift dem om nødvendigt.
- ▶ Kontrollér, at alle tryklufttilslutninger er sat ordentligt fast.
- ▶ Bær aldrig en trykluftmaskine i luftslangen.
- ▶ Forsøg aldrig at tage en tryklufsslange af, der er under tryk. Sluk først for tryklufften på kompressoren, og udluft derefter maskinen ved at aktivere start/stop-anordningen.
- ▶ Ret aldrig en tryklufsslange mod Dem selv eller andre. For at undgå risikoen for personskader, må trykluft aldrig benyttes til at blæse for eksempel støv, snavs eller lignende af tøj.
- ▶ Brug ikke lynkoblinger på værktøjsåbningen. Brug slangekoblinger med gevind af hærdet stål (eller materiale med tilsvarende stødsikkerhed).
- ▶ Når der bruges universale spiralkoblinger (klokoblinger), anbefaler vi, at der anbringes låsetapper og piskestop-sikkerhedskabler for beskytte mod et muligt forbindelsessvigt mellem slange og værktøj eller slange og slange.

## Betjening, forholdsregler

#### ▲ FARE Risiko i forbindelse med trykluftsmøreanordning

Når smøreanordningen er tilsluttet til trykluftledningen, er olieammeret under tryk. Hvis påfyldningsproppen løsnes, er der risiko for, at olien kan sprøjte ud, hvad der kan forårsage personskade.

- ▶ Skil altid smøreanordningen fra trykluftledningen, inden påfyldningsproppen løsnes.

**▲ FARE Risiko for udstødning af doseringsskruen**

Låseringen er en sikkerhedsstopanordning, som forhindrer, at oliedoseringsskruen bliver stødt ud. Hvis doseringsskruen går løs, kan den blive stødt ud og forårsage personskade.

- ▶ Tag aldrig låseringen af.
- ▶ Juster aldrig oliedoseringen, hvis låseringen mangler.

**▲ ADVARSEL Risiko for at glide, snuble og falde**

Der er risiko for at glide, snuble eller falde, for eksempel ved at snuble over slanger eller andre genstande. Man kan komme til skade ved at glide, snuble eller falde. Sådan reduceres risikoen:

- ▶ Sørg for, at der ikke findes slanger eller andre genstande på Deres eller andre personers vej.

**▲ FARE Elektrisk fare**

Maskinen er ikke elektrisk isoleret. Hvis maskinen kommer i kontakt med elektricitet, kan det resultere i alvorlige skader eller død.

- ▶ Brug aldrig maskinen i nærheden af en elektrisk ledning eller anden elektrisk kilde.
- ▶ Kontrollér, at der ikke er skjulte ledninger eller andre elektricitetskilder i arbejdsområdet.

## Vedligeholdelse, forholdsregler

---

**▲ ADVARSEL Maskinmodifikation**

Enhver modifikation af maskinen kan medføre personskade for Dem selv og andre.

- ▶ Modificér aldrig maskinen. Modificerede maskiner dækkes ikke af garanti eller produktansvar.
- ▶ Anvend altid originale dele, indsætningsværktøjer og tilbehør, der er godkendt af Atlas Copco.
- ▶ Udskift omgående beskadigede dele.
- ▶ Udskift slidte komponenter i god tid.

## Opbevaring, forholdsregler

---

- ◆ Opbevar maskinen et sikkert sted, hvor den er uden for børns rækkevidde og låst inde.

## Oversigt

For at reducere risikoen for, at De selv eller andre bliver alvorligt skadet eller dræbt, skal De læse afsnittet med sikkerhedsinstruktioner på de foregående sider i denne håndbog, før De arbejder med maskinen.

## Konstruktion og funktion

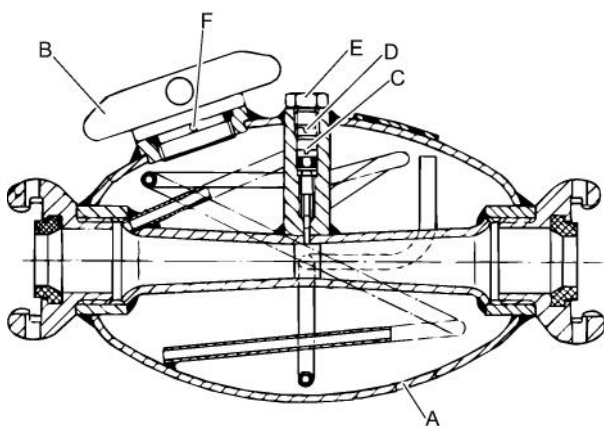
BLG 30 er designet til at smøre trykluftudstyr med mineralolie. Må ikke anvendes til andre formål.

Luft strømmer gennem smøreanordningen fra luftindtaget, delvis direkte til trykluftmaskinen og delvis gennem luftledningen til oliekammeret, så at et statisk tryk indvirker på olieniveauet i smøreanordningen. Luften presser olien op i olierøret, gennem begge åbninger i røret og de små borede huller i olierørledningen og frem til oliedoseringskruen.

Gennemløbsrøret bliver snævrere over for oliekanalen, hvad der øger trykluftens flowhastighed og reducerer lufttrykket ved oliekanals åbning.

Pga. trykforskellen presses smøreolien ud i gennemløbsrøret, hvor olien forstøves og transporteres med luften via slangen til trykluftmaskinen. Olietilførslen kan reguleres med lieskruen, som åbner og lukker oliekanalen.

## Hovedkomponenter

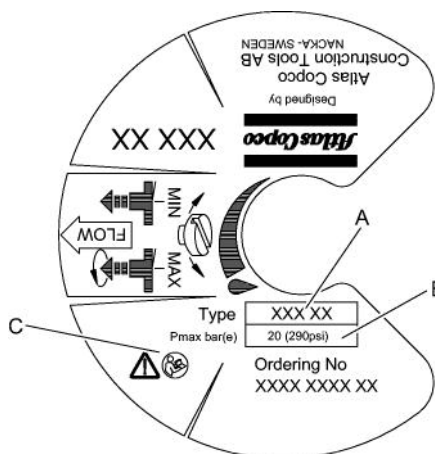


- A. Oliekammer
- B. Påfyldningsprop
- C. Oliedoseringskruen
- D. Låserring
- E. Prop
- F. Udluftningskanal

## Mærkater

Maskinen er forsynet med mærkater, som indeholder vigtige informationer om personlig sikkerhed og maskinens vedligeholdelse. Mærkaterne skal være i en sådan tilstand, at de nemt kan læses. Nye mærkater kan bestilles fra reservedelslisten.

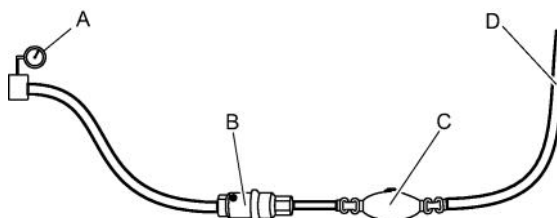
### Sikkerhedsmærkat



- A. Maskintype
- B. Maksimalt tilladt tryk for tryklufforsyning
- C. Advarselssymbolet sammen med bogsymbolet betyder, at brugeren skal læse sikkerhedsinstruktionerne og betjeningsvejledningen, før maskinen anvendes første gang.

## Montering

### Slanger og tilslutninger



- A. Trykluftkilde
- B. Vandudskiller (ekstraudstyr)
- C. Smøreanordning
- D. Maks. 3 m (10 ft) trykluftslange mellem smøreanordningen og trykluftmaskinen.

- ◆ Det maksimalt tilladte lufttryk, 20 bar (e) (290 psi), må ikke overskrides.
- ◆ Blæs eventuelle urenheder ud af trykluftslangen, før den sættes til smøreanordningen.
- ◆ Til BLG 30 skal der bruges en slange med minimum indvendig diameter på 20-25 mm ( $\frac{3}{4}$ -1 in.).
- ◆ Der findes en pil på smøreanordningen, som indikerer den rigtige retning for luftstrømmen. Sørg for at pilen peger i samme retning som luftstrømmen, når smøreanordningen tilsluttes.

## Smøring

Smøremidlet er vigtigt for trykluftmaskinens funktion og betyder meget for maskinens levetid. God smøring sikres ved, at længden på luftslangen mellem den separate smøreanordning og trykluftmaskinen ikke overstiger 3 meter.

### Viskositetsområde

Temperatur °C (°F)	Viskositet
+15 til +50 (+59 til +122)	ISO VG 46-68 200-300 SUS
-20 til +15 (-4 til +59)	ISO VG 22-32 100-150 SUS

Vedrørende korrekt anbefalet smøreolie se sikkerhedsinstruktioner og betjeningsvejledningen for trykluftmaskinen, som bruges sammen med smøreanordningen.

### Justering af olien

BLG 30 leveres med olieskruen åbnet 1 ½ omgange. Oliedoseringskruen kan drejes i alt seks hele omgange. Den kan justeres trinløst.

Gør følgende for at justere oliedoseringen:

- ◆ Fjern beskyttelsesproppen
- ◆ Sæt en skruetrækker gennem hullet i låseringen i oliedoseringskruen, som har indkærvninger til skruetrækkeren.  
I retning med uret reduceres oliestrømmen.  
I retning mod uret øges oliestrømmen.
- ◆ Skru eller tag aldrig låseringen af. Hvis oliedoseringskruen går løs, forhindrer låseringen, at den bliver blæst af smøreanordningen.
- ◆ Kontroller trykluftmaskinens udstødningsåbning for at se, om der udstødes tilstrækkelig smøring.

BLG 30 må kun bruges sammen med mineralolie.

## Betjening

### Betjening

#### Fyldning af smøreanordningen med olie

Fyld altid smøreanordningen op med olie, når skiftet starter.

- ◆ Sluk for lufttilførslen til smøreanordningen.
- ◆ Udluft trykluftledningen for at fjerne indesluttet luft.
- ◆ Gør rent rundt om ydersiden af påfyldningsproppen for at forhindre, at der kan trænge snavs ind i smøreanordningen.
- ◆ Skru påfyldningsproppen to omgange ud, så åbner udluftningskanalen og slipper den resterende trykluft ud af smøreanordningen.
- ◆ Fyld smøreanordningen med mineralbaseret olie.
- ◆ Sæt påfyldningsproppen på igen og spænd den fast. Smøreanordningen er nu klar til brug.

## Vedligeholdelse

Regelmæssig vedligeholdelse er et grundlæggende krav for fortsat sikker og effektiv brug af smøreanordningen. Følg vedligeholdelsesinstruktionerne omhyggeligt.

- ◆ Rens smøreanordningen, inden vedligeholdelsesarbejderne udføres, så De ikke udsættes for farlige substanser.
- ◆ Brug kun godkendte reservedele. Skader eller fejl, som opstår på grund af ikke-godkendte reservedele, dækkes ikke af garanti eller produktansvar.
- ◆ Ved rensning af mekaniske dele med et opløsningsmiddel, skal gældende sundheds- og sikkerhedsbestemmelser overholdes, og der skal være tilstrækkelig ventilation.
- ◆ Ved behov for et større eftersyn af smøreanordningen, kontaktes nærmeste autoriserede værksted.

## Hver dag

Sluk altid for lufttilførslen og tag luftslangen af smøreanordningen, inden der foretages vedligeholdelsesarbejde på smøreanordningen.

- ◆ Rens smøreanordningen og efterse den og dens funktioner hver dag, inden arbejdet begynder.
- ◆ Udfør et generelt eftersyn for læk og skader.
- ◆ Kontroller, at klokoblingerne er spændt fast og ikke beskadiget.
- ◆ Udskift omgående beskadigede dele.
- ◆ Udskift slidte komponenter i god tid.
- ◆ Sørg for, at alt påsat og tilhørende udstyr, såsom slanger vedligeholdes ordentligt.

## Bortskaffelse

En brugt maskine skal behandles og bortskaffes således, at materialet kan genbruges i størst muligt omfang, så enhver negativ påvirkning af miljøet bliver så lav som muligt og i henhold til de lokale forskrifter.

## Periodisk vedligeholdelse

En gang om året skal smøreanordningen skilles ad og alle dele renses og kontrolleres. Dette arbejde skal udføres af autoriseret personale, som er uddannet til denne opgave.

## Monteringsvejledning

Når klokoblingerne på smøreanordningen samles, skal der påføres LOCTITE® 577™ (LOCTITE er et indregistreret varemærke fra Henkel Corporation. 577 er et varemærke fra Henkel Corporation).

## Fejlfinding

Hvis smøreanordningen ikke fungerer rigtigt, skal følgende punkter kontrolleres.

- ◆ Kontroller olieniveauet.
- ◆ Kontroller luftslangens dimension og længde i henhold til de givne anbefalinger. Se „Montering“.
- ◆ Kontroller for læk rundt om påfyldningsproppen.
- ◆ Sørg for, at der ikke findes snavs i olieammeret.
- ◆ Hvis smøreanordningen stadig ikke fungerer tilfredsstillende efter gennemførelse af disse kontroller, kontaktes et autoriseret værksted.

## Opbevaring

- Rens smøreanordningen grundigt før den opbevares, så farlige substanser undgås.
- Hvis smøreanordningen opbevares fyldt med olie, skal den anbringes med påfyldningsproppen opad for at forhindre, at olien lækker ud af luftledningens åbning.
- Smøreanordningen skal altid opbevares på et tørt sted.

## Tekniske data

### Maskinens data

---

Type	Vægt kg (lb)	Kubikindhold l (oz)	Luftflowområde l/s (cfm)
BLG 30	3 (6,6)	1,3 (44)	25-134 (53-284)
BLG 30 US	3 (6,6)	1,3 (44)	25-134 (53-284)

## NORSK

## Innhold

Innledning.....	89
Om Sikkerhetsinstrukser og bruksanvisning.....	89
<b>Sikkerhetsinstrukser.....</b>	<b>90</b>
<b>Signalord.....</b>	<b>90</b>
<b>Personlige forholdsregler og kvalifikasjoner.....</b>	<b>90</b>
Personlig verneutstyr.....	90
Narkotika, alkohol eller legemidler.....	90
<b>Installasjon, forholdsregler.....</b>	<b>90</b>
<b>Drift, forholdsregler.....</b>	<b>90</b>
<b>Vedlikehold, forholdsregler.....</b>	<b>91</b>
<b>Lagring, forholdsregler.....</b>	<b>91</b>
<b>Oversikt.....</b>	<b>92</b>
<b>Konstruksjon og funksjon.....</b>	<b>92</b>
<b>Hoveddeler.....</b>	<b>92</b>
<b>Merker.....</b>	<b>92</b>
Sikkerhetsskilt.....	92
<b>Installasjon.....</b>	<b>92</b>
<b>Slanger og koplingsstykker.....</b>	<b>92</b>
<b>Smøremiddel.....</b>	<b>93</b>
Justering av oljen.....	93
<b>Bruk.....</b>	<b>93</b>
<b>Bruk.....</b>	<b>93</b>
Fylle smøreapparatet med olje.....	93
<b>Vedlikehold.....</b>	<b>93</b>
<b>Hver dag.....</b>	<b>93</b>
<b>Periodisk vedlikehold.....</b>	<b>94</b>
<b>Monteringsinstruksjoner.....</b>	<b>94</b>
<b>Feilsøking.....</b>	<b>94</b>
<b>Lagring.....</b>	<b>94</b>
<b>Avhending.....</b>	<b>94</b>
<b>Tekniske data.....</b>	<b>95</b>
<b>Informasjon om maskinen.....</b>	<b>95</b>



## Innledning

Takk for at du valgte et produkt fra Atlas Copco. Helt siden 1873 har vi vært opptatt av å finne nye og bedre måter å møte våre kunders behov på. I årenes løp har vi utviklet nyskapende og ergonomiske produktutforminger som har hjulpet kundene til å forbedre og rasjonalisere det daglige arbeidet.

Atlas Copco har et sterkt globalt salgs- og servicenettverk bestående av kundesentra og forhandlere. Våre eksperter er høyt utdannede fagfolk med inngående produktkunnskaper og erfaring. I alle verdenshjørner kan vi tilby kundestøtte og ekspertise for å sikre at våre kunder kan jobbe med maksimal effektivitet til enhver tid.

For mer informasjon, gå inn på: [www.atlascopco.com](http://www.atlascopco.com)

Atlas Copco Construction Tools AB  
105 23 Stockholm  
Sweden

## Om Sikkerhetsinstrukser og bruksanvisning

Formålet med instruksjonene er å gi deg kunnskap om hvordan du bruker maskinen på en effektiv, sikker måte. Instruksjonene gir deg også råd og viser deg hvordan du utfører vedlikehold på maskinen.

Før du begynner å bruke maskinen for første gang, må du lese disse instruksjonene nøye og forstå alle sammen.

## Sikkerhetsinstrukser

For å redusere faren for alvorlige skader eller død for deg selv eller andre, må du lese og forstå disse sikkerhetsinstrukser og bruksanvisninger før du installerer, bruker, reparerer eller vedlikeholder maskinen, eller skifter deler på den.

Heng opp disse sikkerhetsinstrukser og bruksanvisninger på arbeidsplassen, gi de ansatte kopier av dem og forsikre deg om at alle leser dem før de betjener eller utfører service på maskinen.

I tillegg må operatøren eller operatørens arbeidsgiver vurdere spesifikke risikoer som kan være til stedet ved bruk av maskinen.

## Signalord

Signalordene Fare, Advarsel og Forsiktig har følgende betydning:

<b>FARE</b>	Viser til en farlig situasjon som vil føre til alvorlig skade eller død dersom den ikke unngås.
<b>ADVARSEL</b>	Viser til en farlig situasjon som kan føre til alvorlig skade eller død dersom den ikke unngås.
<b>FORSIKTIG</b>	Viser til en farlig situasjon som kan føre til mindre eller moderate skader dersom den ikke unngås.

## Personlige forholdsregler og kvalifikasjoner

Vedlikehold eller bruk av maskinen må kun gjøres av kvalifiserte og opplærte personer. De må være i fysisk stand til å håndtere størrelsen, vekten og kraften til verktøyet. Bruk alltid sunn fornuft og god vurderingsevne.

### Personlig verneutstyr

Bruk alltid godkjent verneutstyr. Operatører og alle andre personer i arbeidsområdet skal bruke verneutstyr, bestående av minimum:

- Slagbestandige vernebriller med sidebeskyttelse
- Vernehansker

## Narkotika, alkohol eller legemidler

### ▲ ADVARSEL Narkotika, alkohol eller legemidler

Narkotika, alkohol og legemidler svekker dømmekraften og konsentrasjonsevnen. Dårlig reaksjonsevne eller feilaktige vurderinger kan føre til alvorlige ulykker, også med døden til følge.

- ▶ Bruk aldri maskinen når du er trøtt eller påvirket av narkotika, alkohol eller legemidler.
- ▶ Ingen personer som påvirket av narkotika, alkohol eller legemidler skal bruke maskinen.

## Installasjon, forholdsregler

### ▲ FARE Piskende luftslange

En trykkluftslange som løsner kan slå omkring seg med stor kraft, og forårsake personskade eller død. For å redusere denne risikoen:

- ▶ Sjekk at trykkluftslangene og koblingene ikke er skadet, og skift dem ut om nødvendig.
- ▶ Sjekk at alle trykklufttilkoblingene er skikkelig festet.
- ▶ Bær aldri en pneumatisk maskin ved å holde i luftslangen.
- ▶ Forsøk aldri å kople fra en trykkluftslange som står under trykk. Slå av lufttrykket på luftkompressoren og tøm maskinen for luft ved å sette i gang start og stopp knappen.
- ▶ Rett aldri en trykkluftslange mot deg selv eller andre. Bruk aldri trykkluft til å blåse f.eks. støv, skitt osv. av klærne, da det kan medføre fare for å bli skadet.
- ▶ Ikke bruk hurtigkoplere der innsetningsverktøyet koples til. Bruk gjengede slangearmaturer av herdet stål (eller materialer med tilsvarende støtsikkerhet).
- ▶ Når universale dreibare slangekoplinger (klokkoplinger) brukes, anbefaler vi at låsestifter installeres og at sikkerhetswire brukes for å beskytte mot mulige feilkoplinger mellom slange og verktøy eller mellom slange og slange.

## Drift, forholdsregler

### ▲ FARE Fare ved smøreapparat med trykk

Når smøreapparatet er koblet til en trykkluftslange, er det trykk i oljekammeret. Hvis fyllpluggen skrur løs, er det fare for at olje spruter ut og forårsaker personskade.

- ▶ Koble alltid trykkluftslangen fra smøreapparatet før du skrur løs fyllpluggen.

**▲ FARE Fare for at oljedoseringskruen skytes ut**

Låseringen er en sikkerhetsanordning som forhindrer oljedoseringskruen i å bli skutt ut. Hvis oljedoseringskruen løsner, kan den skytes ut og forårsake personskade.

- ▶ Fjern aldri låseringen.
- ▶ Juster aldri oljedoseringen hvis låseringen mangler.

**▲ ADVARSEL Farer ved å skli, snuble og falle**

Det finnes en risiko for å skli, snuble og falle, for eksempel for å snuble i slangen eller i andre gjenstander. Hvis du sklir, snubler eller faller, kan det forårsake skader. For å redusere risikoene:

- ▶ Forsikre deg alltid om at det ikke er noen slanger eller andre gjenstander i veien for deg eller andre personer.

**▲ FARE Strømfare**

Denne maskinen er ikke strøminsolert. Hvis maskinen kommer i kontakt med elektrisitet, kan det resultere i alvorlig skade eller død.

- ▶ Maskinen må aldri brukes i nærheten av strømledninger eller andre strømkilder.
- ▶ Sørg for at det ikke skjuler seg strømledninger eller andre strømkilder i arbeidsområdet.

## Vedlikehold, forholdsregler

---

**▲ ADVARSEL Maskinmodifisering**

Alle maskinmodifikasjoner kan resultere i kroppslige skader for deg selv eller andre.

- ▶ Foreta aldri modifiseringer av maskinen. Modifiserte maskiner dekkes ikke av garantien eller produktansvaret.
- ▶ Bruk alltid originale deler, innsettingsverktøy og tilbehør godkjent av Atlas Copco.
- ▶ Bytt ut skadede deler umiddelbart.
- ▶ Skift ut slitte komponenter i god tid.

## Lagring, forholdsregler

---

- ◆ Oppbevar maskinen og verktøyene på et sikkert og låsbart sted, utilgjengelig for barn.

## Oversikt

For å redusere faren for alvorlig skade eller død for deg selv og andre, les avsnittet

Sikkerhetsinstruksjoner på de foregående sidene av denne håndboken før du tar maskinen i bruk.

## Konstruksjon og funksjon

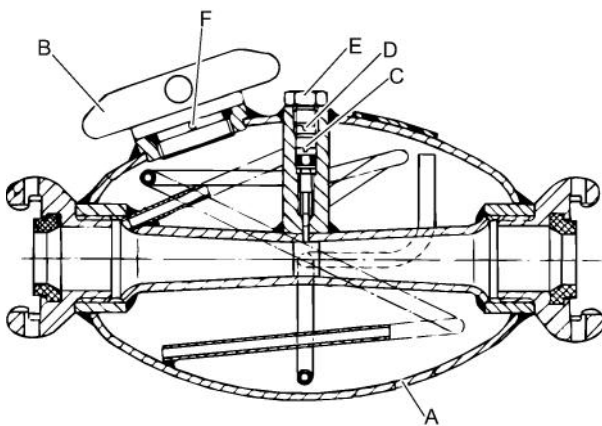
BLG 30 er konstruert for å smøre trykkluftutstyr med mineralolje. Annen bruk er ikke tillatt.

Luft strømmer inn i smøreapparatet via luftinnløpet. Noe av luften går direkte til den pneumatiske maskinen og noe gjennom luftrøret inn i oljekammeret, slik at statisk trykk virker på oljenivået i smøreapparatet. Luften presser oljen opp i oljerøret, gjennom både røråpningen og små hull som er boret i røret, og helt opp til oljedoseringskruen.

Gjennomstrømningsrøret blir smalere rett før punktet hvor det møter oljekanalen (venturirør), derfor øker lufthastigheten ved oljekanalene og lufttrykket reduseres.

På grunn av trykkforskjellen blir smøreoljen presset ut i gjennomstrømningsrøret hvor oljen førstøves og sendes med luften gjennom luftslangen til den pneumatiske maskinen. Oljeforsyningen kan reguleres ved hjelp av oljedoseringskruen som åpner eller lukker oljekanalene.

## Hoveddeler

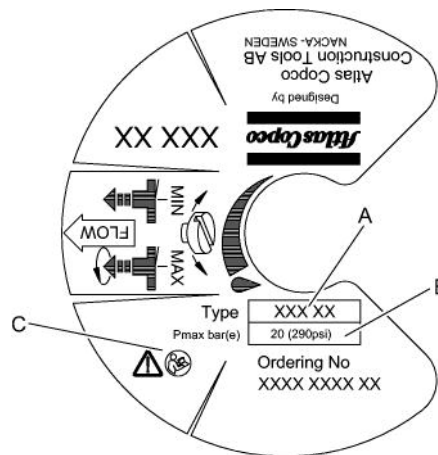


- A. Oljekammer
- B. Fylleplugg
- C. Oljedoseringskruen
- D. Låsering
- E. Plugg
- F. Luftekanal

## Merker

Maskinen er utstyrt med merker som inneholder viktig informasjon om personlig sikkerhet og vedlikehold av maskinen. Disse merkene skal være i en tilstand som gjør det enkelt å lese dem. Nye merker kan bestilles fra reservedellisten.

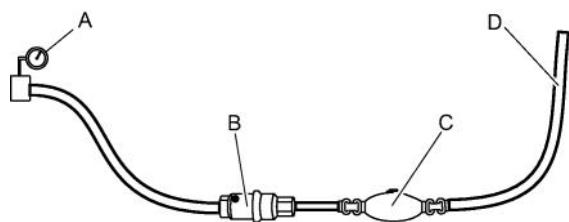
### Sikkerhetsskilt



- A. Maskintype
- B. Maksimalt tillatt lufttrykk
- C. Varseltrekanten sammen med boksymbolet betyr at brukeren må lese sikkerhets- og bruksinstruksjonene før maskinen brukes for første gang.

## Installasjon

### Slanger og koplingsstykker



- A. Trykkluftskilde
- B. Vannseparator (ekstrautstyr)
- C. Smøreapparat
- D. Maks 3 m (10 ft) trykkluftslange mellom smøreapparatet og den pneumatiske maskinen.

- ◆ Du må ikke bruke høyere trykk enn det maksimalt tillatte driftstrykket, 20 bar (e) (290 psig).
- ◆ Blås ut smuss av trykkluftslangen før du kobler den til smøreapparatet.
- ◆ For BLG 30 må det brukes en slange med en indre diameter på minimum 20-25 mm (¾-1 in.).
- ◆ På smøreapparatet finnes det en pil som indikerer riktig retning til luftstrømmen. Når du kobler til smøreapparatet, må du forsikre deg om at pilen peker i samme retning som luftstrømmen.

## Smøremiddel

Smøring er viktig for den pneumatiske maskinens funksjoner og har en stor innvirkning på levetiden. For å sikre god smøring, må lengden på luftslangen mellom smøreapparatet og den pneumatiske maskinen ikke være lenger enn 3 meter.

### Viskositetsområde

Temperatur °C (°F)	Viskositet
+15 til +50 (+59 til +122)	ISO VG 46-68 200-300 SUS
-20 til +15 (-4 til +59)	ISO VG 22-32 100-150 SUS

For riktig, anbefalt smøreolje, må du se Sikkerhetsinstrukser og bruksanvisning til den pneumatiske maskinen som brukes sammen med smøreapparatet.

### Justering av oljen

BLG 30 leveres med oljedoseringskruen åpen 1 ½ dreining. Oljedoseringskruen kan skrues seks ganger helt rundt. Justeringen er trinnløs.

For å justere oljedoseringen, må du gå fram på følgende måte:

- ◆ Ta ut beskyttelsesproppen.
- ◆ Sett en skrutrekker i hullet til låseringen til oljedoseringskruen, som har spor for skrutrekkeren.  
Hvis du skrur den med urviseren, reduseres oljestrømmen.  
Hvis du skrur den mot urviseren, øker oljestrømmen.
- ◆ Skru aldri løs eller fjern låseringen. Hvis oljedoseringskruen løsner, vil låseringen forhindre den i å bli skutt ut av smøreapparatet.
- ◆ Kontroller utblåsningsporten til den pneumatiske maskinen for å se om det er nok smøring.

BLG 30 må kun brukes med mineralolje.

## Bruk

### Bruk

#### Fylle smøreapparatet med olje

Fyll alltid smøreapparatet med olje når skiftet starter.

- ◆ Slå av lufttilførselen til smøreapparatet.
- ◆ Blås luftslangene tomme for gjenværende luft.
- ◆ Rengjør rundt utsiden av fyllerpluggen for å forhindre at smuss kommer inn i smøreapparatet.
- ◆ Skru fyllerpluggen to ganger rundt, noe som vil åpne luftkanalen og slippe ut gjenværende luft i smøreapparatet.
- ◆ Fyll smøreapparatet med mineralbasert olje.
- ◆ Sett på og skru fast fyllerpluggen. Smøreapparatet er nå klart til bruk.

## Vedlikehold

Jevnlig vedlikehold er en grunnforutsetning for fortsatt sikker og effektiv bruk av smøreapparatet. Følg vedlikeholdsinstruksjonene nøye.

- ◆ Rengjør smøreapparatet før du starter vedlikeholdet på det for å unngå å bli utsatt for skadelige stoffer.
- ◆ Bruk bare autoriserte deler. Skade eller feilfunksjon som skyldes bruk av uautoriserte deler blir ikke dekket av garantien eller produktansvaret.
- ◆ Når mekaniske deler rengjøres med løsemidler, må gjeldende helse- og sikkerhetsforskrifter følges, og man må sørge for tilstrekkelig ventilasjon.
- ◆ For større vedlikehold av smøreapparatet, kontakt ditt nærmeste autoriserte verksted.

## Hver dag

Før du foretar noe vedlikehold på smøreapparatet, må du alltid slå av lufttilførselen og koble luftslangen fra smøreapparatet.

- ◆ Rengjør og undersøk smøreapparatet og dets funksjoner hver dag før du begynner å jobbe med det.
- ◆ Utfør en generell inspeksjon for lekkasje og skade.
- ◆ Kontroller at klokoplingen er strammet til og er fri for skade.
- ◆ Bytt ut skadede deler umiddelbart.

- ◆ Skift ut slitte komponenter i god tid.
- ◆ Sørg for at alt montert og relatert utstyr, som slanger blir ordentlig vedlikeholdt.

## Periodisk vedlikehold

---

En gang i året må smøreapparatet demonteres og alle dets deler må rengjøres og kontrolleres. Dette arbeidet må utføres av autorisert personell som er opplært til denne oppgaven.

## Monteringsinstruksjoner

---

Når klokplingene monteres på smøreapparatet igjen, må det påføres LOCTITE® 577™ (LOCTITE is a registered trademark of Henkel Corporation. 577 er et varemerke for Henkel Corporation).

## Feilsøking

Hvis smøreapparatet ikke fungerer som det skal, må du kontrollere følgende punkter:

- ◆ Kontroller oljenivået.
- ◆ Sjekk at dimensjonene og lengden av luftslangen er i henhold til anbefalingene. Se „Installasjon”.
- ◆ Kontroller om det er lekkasje rundt fyllerpluggen.
- ◆ Forsikre deg om at det ikke er noe smuss i oljekammeret.
- ◆ Hvis funksjonen til smøreapparatet fortsatt ikke er tilfredsstillende etter denne prosedyren, kontakt et autorisert serviceverksted.

## Lagring

- Rengjør smøreapparatet grundig før du setter det bort for å unngå å bli utsatt for skadelige stoffer.
- Hvis smøreapparatet er fylt med olje, må du plassere det med fyllerpluggen opp for å forhindre at det lekker olje ut av luftrøråpningen.
- Lagre smøreapparatet på et tørt sted.

## Avhending

En utslitt maskin må behandles og avhendes på en slik måte at flest mulig deler av materialet kan resirkuleres og at negativ innvirkning på miljøet blir holdt så lavt som mulig og i henhold til lokale forskrifter.

## Tekniske data

### Informasjon om maskinen

---

Type	Vekt kg (lb)	Volum l (oz)	Luftstrømområde l/s (cfm)
BLG 30	3 (6,6)	1,3 (44)	25-134 (53-284)
BLG 30 US	3 (6,6)	1,3 (44)	25-134 (53-284)

## SVENSKA

**Innehåll**

Inledning.....	97
Om säkerhetsinstruktionen och bruksanvisningen.....	97
<b>Säkerhetsinstruktioner.....</b>	<b>98</b>
<b>Säkerhetssymboler.....</b>	<b>98</b>
<b>Personliga försiktighetsåtgärder och utbildning.....</b>	<b>98</b>
Personlig skyddsutrustning.....	98
Droger, alkohol eller läkemedel.....	98
<b>Installation, säkerhetsåtgärder.....</b>	<b>98</b>
<b>Drift, säkerhetsåtgärder.....</b>	<b>98</b>
<b>Underhåll, säkerhetsåtgärder.....</b>	<b>99</b>
<b>Förvaring, säkerhetsåtgärder.....</b>	<b>99</b>
<b>Översikt.....</b>	<b>100</b>
<b>Konstruktion och användningsområde.....</b>	<b>100</b>
<b>Maskinens huvuddelar.....</b>	<b>100</b>
<b>Dekaler.....</b>	<b>100</b>
Säkerhetsdekal.....	100
<b>Installation.....</b>	<b>100</b>
<b>Slangar och anslutningar.....</b>	<b>100</b>
<b>Smörjning.....</b>	<b>101</b>
Oljejustering.....	101
<b>Drift.....</b>	<b>101</b>
<b>Drift.....</b>	<b>101</b>
Fylla på olja i smörjapparaten.....	101
<b>Underhåll.....</b>	<b>101</b>
<b>Dagligen.....</b>	<b>101</b>
<b>Periodiskt underhåll.....</b>	<b>102</b>
<b>Monteringsinstruktioner.....</b>	<b>102</b>
<b>Felsökning.....</b>	<b>102</b>
<b>Förvaring.....</b>	<b>102</b>
<b>Kassering.....</b>	<b>102</b>
<b>Tekniska specifikationer.....</b>	<b>103</b>
<b>Maskindata.....</b>	<b>103</b>



## Inledning

Tack för att ni valt en produkt från Atlas Copco. Sedan 1873 har vi arbetat med att hitta nya och bättre sätt att tillgodose våra kunders behov. Vi har under årens lopp utvecklat nyskapande och ergonomiska produktlösningar som har hjälpt kunderna att förbättra och rationalisera det dagliga arbetet.

Atlas Copco har ett starkt globalt försäljnings- och servicenät med kontor och återförsäljare runt om i världen. Våra experter är välutbildade yrkesmän med omfattande produktkännedom och praktisk erfarenhet. Vi kan stå till tjänst med produktsupport och expertkunskap i alla delar av världen så att våra kunder alltid kan arbeta så effektivt som möjligt.

För mer information besök: [www.atlascopco.com](http://www.atlascopco.com)

Atlas Copco Construction Tools AB

105 23 Stockholm

Sweden

## Om säkerhetsinstruktionen och bruksanvisningen

Syftet med säkerhetsinstruktionen och bruksanvisningen är att ge dig kunskap om hur du använder maskinen på ett effektivt och säkert sätt. Instruktionerna innehåller även råd och information om hur regelbundet underhåll av maskinen ska utföras.

Innan du använder maskinen för första gången måste du läsa igenom dessa instruktioner noggrant och vara säker på att du förstår dem helt och fullt.

## Säkerhetsinstruktioner

För att minska risken för att du själv eller andra ska råka ut för allvarliga skador eller dödsfall bör du läsa och förstå denna Säkerhetsinstruktion och bruksanvisning innan du installerar, använder, reparerar, underhåller eller byter tillbehör på maskinen.

Sätt upp denna Säkerhetsinstruktion och bruksanvisning på arbetsplatsen, dela ut kopior till de anställda och se till att alla läser den innan de använder eller utför service på maskinen.

Dessutom ska användaren eller användarens arbetsgivare genomföra en bedömning av de specifika risker som kan förekomma varje gång maskinen är i drift.

## Säkerhetssymboler

Signalorden Fara, Varning och Varsamhet har följande betydelser:

<b>FARA</b>	Indikerar en överhängande farlig situation som – om den inte undviks – kommer att leda till dödsfall eller allvarlig personskada.
<b>VARNING</b>	Indikerar en farlig situation som – om den inte undviks – kan leda till dödsfall eller allvarlig personskada.
<b>OBSERVERA</b>	Indikerar en farlig situation som – om den inte undviks – kan leda till lindrig eller måttlig personskada.

## Personliga försiktighetsåtgärder och utbildning

Endast behörig och utbildad personal får använda maskinen eller utföra underhåll på den. Personalen måste orka hantera verktygets volym, vikt och kraft. Använd alltid sunt förnuft och gott omdöme.

### Personlig skyddsutrustning

Använd alltid godkänd skyddsutrustning. Maskinanvändarna och alla andra personer som vistas inom arbetsområdet måste bära minst följande skyddsutrustning:

- Slagtåliga skyddsglasögon med sidoskydd
- Skyddshandskar

## Droger, alkohol eller läkemedel

### ▲ VARNING Droger, alkohol eller läkemedel

Droger, alkohol och läkemedel kan påverka ditt omdöme och koncentrationsförmåga. Dålig reaktionsförmåga och felbedömningar kan leda till allvarliga olyckor eller dödsfall.

- ▶ Använd inte maskinen när du är trött eller påverkad av alkohol, droger eller läkemedel.
- ▶ Personer som är påverkad av alkohol, droger eller läkemedel får inte använda maskinen.

## Installation, säkerhetsåtgärder

### ▲ FARA Kastande luftslang

En tryckluftsslang som lossnar kan kastas runt och leda till personskador eller dödsfall. För att minska risken för detta:

- ▶ Kontrollera att tryckluftsslangen och anslutningarna inte är skadade, byt ut vid behov.
- ▶ Kontrollera att alla tryckluftsanslutningar är riktigt anslutna.
- ▶ Bär aldrig en tryckluftsmaskin i luftslangen.
- ▶ Försök aldrig koppla isär en tryckluftsslang som är trycksatt. Stäng först av tryckluftsförsörjningen på kompressorn och avlufta sedan maskinen genom att aktivera start- och stoppanordningen.
- ▶ Rikta aldrig en tryckluftsslang mot dig själv eller någon annan. För att undvika risken för personskador ska tryckluft inte användas för att blåsa bort till exempel damm, smuts och liknande från kläderna.
- ▶ Använd inte snabbkopplingar till verktygsfästet. Använd härdade slanganslutningar med stålgångor (eller material med motsvarande stöthållfasthet).
- ▶ Vid användning av universalvridkopplingar (klokkopplingar) rekommenderas montering av låssprintar samt användning av säkerhetsvajar för att skydda vid eventuella fel på anslutningen mellan slang och verktyg eller mellan slangar.

## Drift, säkerhetsåtgärder

### ▲ FARA Fara för trycksatt smörjapparat

När smörjapparaten är ansluten till en tryckluftsledning är oljekammaren trycksatt. Om påfyllningspluggen lossas finns det risk att olja sprutar ut och orsakar personskador.

- ▶ Koppla alltid ifrån smörjapparaten från tryckluftsledningen innan påfyllningspluggen skruvas loss.

**▲ FARA Risk för utskjutande oljedoseringskruv**

Låsringen är en säkerhetsspärr som hindrar oljedoseringskruven från att skjutas ut. Om oljedoseringskruven lossnar kan denna skjutas ut och orsaka personskador.

- ▶ Avlägsna aldrig låsringen.
- ▶ Justera aldrig oljedoseringen om låsringen saknas.

**▲ VARNING Risk för halk-, snubbel- och fallolyckor**

Det finns risk för halk-, snubbel- eller fallolyckor, användaren kan till exempel snubbla över slangar eller andra föremål. Halk- snubbel- och fallolyckor kan orsaka skador. För att minska risken för detta:

- ▶ Se alltid till att inga slangar eller andra föremål ligger i vägen för dig eller någon annan person.

**▲ FARA Elektriska faror**

Maskinen är inte elektriskt isolerad. Om maskinen kommer i kontakt med elektricitet kan allvarliga personskador eller dödsfall inträffa.

- ▶ Använd inte maskinen i närheten av elledningar eller andra elektriska källor.
- ▶ Säkerställ att det inte finns några dolda ledningar eller andra elektriska källor i arbetsområdet.

## Underhåll, säkerhetsåtgärder

---

**▲ VARNING Maskinmodifieringar**

Eventuella modifieringar av maskinen kan leda till att du själv eller andra personer skadas.

- ▶ Modifiera inte maskinen. Modifierade maskiner omfattas inte av garantin eller tillverkarens produktansvar.
- ▶ Använd endast originaldelar, insatsverktyg och tillbehör som är godkända av Atlas Copco.
- ▶ Byt omedelbart ut skadade delar.
- ▶ Byt ut slitna delar i god tid.

## Förvaring, säkerhetsåtgärder

---

- ◆ Förvara maskiner och verktyg på en säker, låst plats utom räckhåll för barn.

## Översikt

För att minska risken för allvarliga personskador eller till och med dödsfall ska du läsa avsnittet med säkerhetsinstruktionerna på de föregående sidorna i denna bruksanvisning innan du använder maskinen.

## Konstruktion och användningsområde

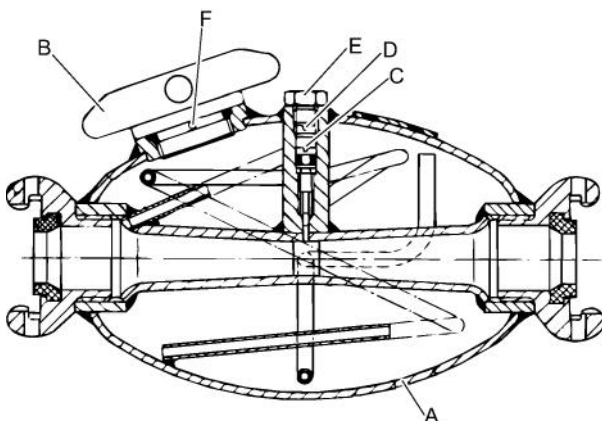
BLG 30 är avsedd för smörjning av tryckluftsutrustning med mineralolja. Ingen annan användning är tillåten.

Luft strömmar genom smörjapparaten från luftinloppet, dels direkt till tryckluftsmaskinen, dels genom luftledningen in i oljekammaren, så att det statiska trycket påverkar oljenivån i smörjapparaten. Luften pressar upp olja i oljeledningen såväl genom öppningen, som genom de små borrhålen i oljeledningen, innan den slutligen når oljedoseringskruven.

Genomströmningsröret är ihopklämt mitt emot oljekanalerna (Venturi), vilket ökar tryckluftens flödes hastighet och minskar lufttrycket vid oljekanalens mynning.

Tryckdifferensen gör att smörjoljan pressas in i genomströmningsröret där oljan finfördelas och leds vidare med tryckluftsförsörjningen via slangen till tryckluftsmaskinen. Oljetillförseln kan regleras genom att skruva på oljedoseringskruven för att öppna eller stänga oljekanalerna.

## Maskinens huvuddelar



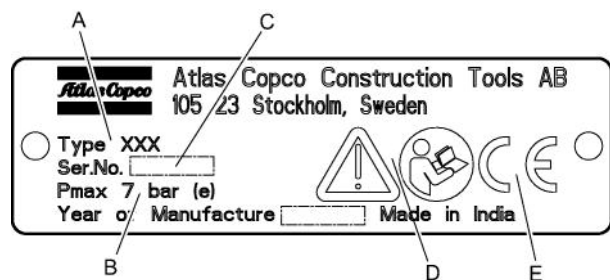
- A. Oljekammare
- B. Påfyllningsplugg
- C. Oljedoseringskruv
- D. Låsring

- E. Plugg
- F. Ventilationskanal

## Dekaler

Maskinen är försedd med dekaler som innehåller viktig information om personlig säkerhet och maskinunderhåll. Dekalerna ska vara i sådant skick att de enkelt kan läsas. Nya dekaler kan beställas med hjälp av reservdelslistan.

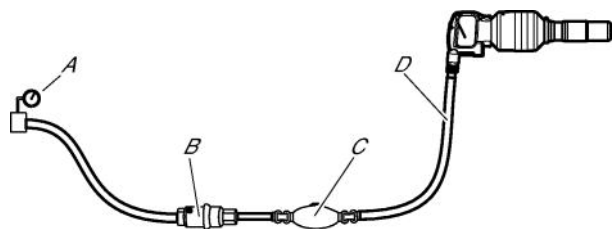
### Säkerhetsdekal



- A. Modell
- B. Maximalt tillåtet lufttryck
- C. Varningssymbol ihop med boksymbol innebär att användaren ska läsa igenom säkerhetsinstruktionerna och bruksanvisningen innan maskinen används för första gången.

## Installation

### Slangar och anslutningar



- A. Tryckluftskälla
- B. Vattenavskiljare (tillval)
- C. Smörjapparat
- D. Max. 3 m (10 ft) tryckluftsslang mellan smörjapparaten och tryckluftsmaskin.

- ◆ Det högsta tillåtna lufttrycket, 20 bar (e) (290 psi), får ej överskridas.
- ◆ Blås ur eventuella föroreningar ur tryckluftsslangen innan du ansluter den till smörjapparaten.
- ◆ Till CLG 30 måste en slang med en innerdiameter på minst 20-25 mm (¾-1 in.) användas.
- ◆ På smörjapparaten finns en pil som anger korrekt riktning på luftflödet. Se vid anslutning av smörjapparaten till att pilen pekar i samma riktning som luftflödet.

## Smörjning

Smörjmedlet är viktigt för tryckluftsmaskinens funktion och har stor betydelse för dess livslängd. För att garantera god smörjning får luftslangen mellan den separata smörjapparaten och tryckluftsmaskinen inte vara längre än 3 meter.

Viskositetsområde	
Temperatur °C (°F)	Viskositet
+15 till +50 (+59 till +122)	ISO VG 46-68 200-300 SUS
-20 till +15 (-4 till +59)	ISO VG 22-32 100-150 SUS

För korrekt rekommenderad smörjolja se säkerhetsinstruktionen och bruksanvisningen för användning av tryckluftsmaskin tillsammans med smörjapparat.

### Oljejustering

BLG 30 levereras med oljedoseringskruven öppen 1 ½ varv. Oljedoseringskruven kan som mest vridas sex hela varv. Den är steglöst justerbar.

För justering av oljedoseringen, gör följande:

- ◆ Avlägsna skyddspluggen.
- ◆ För in en skruvmejsel i hålet på oljedoseringskruvens låsring, som har spår för skruvmejseln.  
Medurs minskar oljeflödet.  
Moturs ökar oljeflödet.
- ◆ Lossa aldrig eller avlägsna låsringen. Om oljedoseringskruven lossnar förhindrar låsringen den från att skjutas ut ur smörjapparaten.
- ◆ Kontrollera tryckluftsmaskinens utloppsport för att se till att tillräckligt mycket smörjmedel kommer ut.

BLG 30 får endast användas med mineralolja.

## Drift

### Drift

#### Fylla på olja i smörjapparaten

Fyll alltid på olja i smörjapparaten i början av varje arbetspass.

- ◆ Stäng av tryckluftsförsörjningen till smörjapparaten.
- ◆ Lufta luftledningen för att avlägsna kvarvarande luft.
- ◆ Rengör området runt påfyllningspluggen för att förhindra att smuts kommer in i smörjapparaten.
- ◆ Skruva upp påfyllningspluggen två varv, vilket öppnar ventilationskanalen och släpper ut kvarvarande tryckluft från smörjapparaten.
- ◆ Fyll smörjapparaten med en mineralbaserad olja.
- ◆ Sätt tillbaka och dra åt påfyllningspluggen. Smörjapparaten är nu klar att användas.

## Underhåll

Regelbundet underhåll är en grundförutsättning för att smörjapparaten ska fortsätta vara säker och effektiv att använda. Följ underhållsinstruktionerna noggrant.

- ◆ Rengör smörjapparaten före underhållsarbeten för att undvika att utsättas för skadliga ämnen.
- ◆ Använd endast originaldelar. Eventuella skador eller fel som uppstår genom användning av ej godkända delar täcks inte av garantin eller tillverkarens produktansvar.
- ◆ Följ gällande föreskrifter för hälsa och säkerhet och söj för god ventilation vid rengöring av mekaniska delar med lösningsmedel.
- ◆ Kontakta din närmaste auktoriserade verkstad vid mer omfattande service på smörjapparaten.

## Dagligen

Stäng alltid av tryckluftsförsörjningen och koppla loss luftslangen innan du utför underhåll på smörjapparaten.

- ◆ Rengör och kontrollera smörjapparaten och dess funktioner dagligen innan arbetet börjar.
- ◆ Gör en allmän inspektion för att identifiera eventuella läckor eller skador.
- ◆ Kontrollera att klockopplingarna är åtdragna och fria från skador.
- ◆ Byt omedelbart ut skadade delar.
- ◆ Byt ut slitna delar i god tid.
- ◆ Se till att all ansluten utrustning och kringutrustning, som t.ex. slangar, underhålls ordentligt.

## Periodiskt underhåll

Smörjapparaten måste en gång om året tas isär och alla delar rengöras och kontrolleras. Detta arbete skall utföras av behörig personal med utbildning för denna uppgift.

## Monteringsinstruktioner

Använd LOCTITE® 577™ vid återmontering av klockopplingarna på smörjapparaten (LOCTITE är ett registrerat varumärke som ägs av Henkel Corporation. 577 är ett varumärke ägt av Henkel Corporation).

## Felsökning

Kontrollera följande punkter om smörjapparaten inte fungerar tillfredsställande.

- ◆ Kontrollera oljenivån.
- ◆ Kontrollera att luftslangens diameter och längd följer rekommendationerna. Se "Installation".
- ◆ Kontrollera förekomst av läckage runt påfyllningspluggen.
- ◆ Se till att det inte finns smuts eller skräp i oljekammaren.
- ◆ Om smörjapparaten fortfarande inte fungerar tillfredsställande, kontakta en auktoriserad serviceverkstad.

## Förvaring

- För att undvika skadliga ämnen, rengör smörjapparaten noga innan den läggs i förvaring.
- Om olja finns kvar i smörjapparaten vid förvaring, placera den med påfyllningspluggen uppåt för att förhindra att olja läcker ut genom öppningen i luftledningen.
- Förvara alltid smörjapparaten på en torr plats.

## Kassering

En uttjänt maskin skall hanteras och kasseras på ett sådant sätt att största möjliga del av materialet kan återvinnas. All form av negativ inverkan på miljön skall i möjligaste mån undvikas och lokala begränsningar respekteras.

# Tekniska specifikationer

## Maskindata

Typ	Vikt kg (lb)	Volym l (oz)	Luftflödesområde l/s (cfm)
BLG 30	3 (6,6)	1,3 (44)	25-134 (53-284)
BLG 30 US	3 (6,6)	1,3 (44)	25-134 (53-284)

POLSKI

# SPIS TREŚCI

Wprowadzenie.....	105
Uwaga dotycząca instrukcji bezpieczeństwa i obsługi.....	105
Wskazówki dotyczące bezpieczeństwa.....	106
Ostrzeżenia użyte w tekście.....	106
Środki ostrożności i kwalifikacje personelu.....	106
Środki ochrony osobistej.....	106
Środki odurzające, alkohol, leki.....	106
Uruchamianie, środki ostrożności.....	106
Obsługa, środki ostrożności.....	107
Konserwacja, środki ostrożności.....	107
Przechowywanie, środki ostrożności.....	107
Budowa.....	108
Konstrukcja i działanie.....	108
Budowa młota.....	108
Znaki i naklejki.....	108
Nalepka bezpieczeństwa.....	108
Uruchomienie.....	109
Węże i złącza.....	109
Smarowanie.....	109
Regulacja dozowania oleju.....	109
Obsługa.....	109
Obsługa.....	109
Napełnianie smarownicy olejem.....	109
Konserwacja.....	110
Codziennie.....	110
Konserwacja okresowa.....	110
Instrukcja montażu.....	110
Rozwiązywanie problemów.....	110
Przechowywanie.....	110
Utylizacja.....	110
Parametry techniczne.....	111
Parametry techniczne urządzenia.....	111



## Wprowadzenie

Dziękujemy za wybór produktu firmy Atlas Copco. Od 1873 r. staramy się znajdować nowe i coraz lepsze sposoby zaspokajania potrzeb naszych klientów. Zaprojektowaliśmy wiele nowatorskich i ergonomicznych konstrukcji, które pomagają klientom usprawniać i racjonalizować ich codzienną pracę.

Firma Atlas Copco dysponuje globalną siecią sprzedaży i serwisu, obejmującą centra obsługi klienta i dystrybutorów na całym świecie. Nasi eksperci to najwyższej klasy profesjonalści z bogatą wiedzą o produktach i praktyczną znajomością zastosowań. Dzięki naszemu wsparciu technicznemu klienci we wszystkich zakątkach świata mogą zawsze pracować z maksymalną wydajnością.

Więcej informacji na stronie: [www.atlascopco.com](http://www.atlascopco.com)

Atlas Copco Construction Tools AB

105 23 Stockholm

Sweden

## Uwaga dotycząca instrukcji bezpieczeństwa i obsługi

Celem niniejszych instrukcji jest przekazanie Państwu wiedzy o sposobach efektywnego i bezpiecznego korzystania z tej maszyny. Zawarliśmy w nich także porady i wskazówki odnośnie przeprowadzania regularnej konserwacji tej maszyny.

Przed pierwszym użyciem maszyny należy te instrukcje uważnie przeczytać i zrozumieć.

## Wskazówki dotyczące bezpieczeństwa

Aby zredukować ryzyko odniesienia poważnych obrażeń lub poniesienia śmierci przez Ciebie lub inne osoby, przed przystąpieniem do instalacji, obsługi, naprawy, konserwacji lub wymiany akcesoriów w maszynie, przeczytaj dokładnie i z pełnym zrozumieniem Instrukcje bezpieczeństwa i obsługi.

Wywieś instrukcje bezpieczeństwa i obsługi w miejscach pracy, rozdaj ich kopie pracownikom i dopilnuj, aby każdy z nich je przeczytał przed rozpoczęciem obsługi lub serwisowania maszyny.

Dodatkowo, operator lub pracodawca operatora powinien dokonać oceny specyficznych zagrożeń mogących występować przy poszczególnych zastosowaniach maszyny.

## Ostrzeżenia użyte w tekście

Ostrzeżenia użyte w tekście: Niebezpieczeństwo, Ostrzeżenie i Uwaga mają następujące znaczenia:

<b>NIEBEZPIECZEŃSTWO</b>	Wskazuje na niebezpieczną sytuację, której należy unikać, gdyż w przeciwnym razie stanie się ona przyczyną śmierci lub poważnych obrażeń.
<b>OSTRZEŻENIE</b>	Wskazuje na niebezpieczną sytuację, której należy unikać, gdyż w przeciwnym razie może stać się przyczyną śmierci lub poważnych obrażeń.
<b>PRZESTROGA</b>	Wskazuje na niebezpieczną sytuację, której należy unikać, gdyż w przeciwnym razie może stać się przyczyną lżejszych lub średnich obrażeń.

## Środki ostrożności i kwalifikacje personelu

Obsługę i konserwację urządzenia wolno powierzać tylko osobom posiadającym odpowiednie kwalifikacje i przeszkolenie. Muszą one być fizycznie w stanie dać sobie radę z wielkością, masą i mocą urządzenia. Kieruj się zawsze zdrowym rozsądkiem popartym prawidłową oceną sytuacji.

### Środki ochrony osobistej

Zawsze używaj odpowiednich środków ochrony osobistej. Operatorzy oraz inne osoby przebywające w obszarze roboczym muszą nosić środki ochronny osobistej, które obejmują co najmniej:

- Przeciwodpryskowe okulary ochronne z zabezpieczeniem bocznym
- Rękawice ochronne

### Środki odurzające, alkohol, leki

#### ▲ OSTRZEŻENIE Środki odurzające, alkohol, leki

Środki odurzające, alkohol i leki mogą mieć wpływ na zdolność oceny sytuacji i koncentrację. Spowolniona reakcja i niewłaściwa ocena sytuacji mogą prowadzić do poważnych obrażeń, a nawet śmierci.

- ▶ Nie używaj nigdy urządzenia będąc w stanie zmęczenia lub pod wpływem środków odurzających, alkoholu lub leków.
- ▶ Nikt będący pod wpływem środków odurzających, alkoholu lub leków nie ma prawa obsługiwać urządzenia.

## Uruchamianie, środki ostrożności

#### ▲ NIEBEZPIECZEŃSTWO Luźny wąż pneumatyczny pod ciśnieniem

Odłączenie się będącego pod ciśnieniem węża pneumatycznego grozi obrażeniami a nawet śmiercią. Aby zmniejszyć ryzyko przestrzegaj następujących zasad:

- ▶ Sprawdź czy wąż pneumatyczny i jego złącza nie są uszkodzone, a w razie potrzeby wymień.
- ▶ Sprawdź czy wszystkie złącza sprężonego powietrza są prawidłowo podłączone.
- ▶ Nigdy nie noś maszyny pneumatycznej za wąż pneumatyczny.
- ▶ Nigdy nie próbuj odłączać węża pneumatycznego będącego pod ciśnieniem. Najpierw wyłącz dopływ sprężonego powietrza w sprężarce, a następnie spuść ciśnienie z maszyny uruchamiając ją włącznikiem.
- ▶ Nigdy nie kieruj węża pneumatycznego na siebie ani na nikogo innego. Aby uniknąć ryzyka obrażeń, nigdy nie używaj sprężonego powietrza do zdmuchiwania np. pyłu, brudu itp. ze swojego ubrania.

- ▶ Nie używaj złączy, które mogą się same rozłączyć. Używaj gwintowanych złączy węży wykonanych z hartowanej stali (lub materiału o podobnej odporności na obciążenia dynamiczne).
- ▶ W przypadku użycia złączy kłowych zalecamy zastosowanie sworzni zabezpieczających i linek bezpieczeństwa, jako zabezpieczenia na wypadek odłączenia się przewodu od narzędzia lub rozłączenia się złączy między przewodami.

## Obsługa, środki ostrożności

### ▲ NIEBEZPIECZEŃSTWO Niebezpieczeństwa związane ze smarownicą ciśnieniową

Kiedy smarownica jest podłączona do przewodu sprężonego powietrza, komora olejowa znajduje się pod ciśnieniem. W wypadku odkręcenia zakrętki wlewu istnieje ryzyko wyrzucenia znajdującego się pod ciśnieniem oleju, który może spowodować obrażenia.

- ▶ Zawsze odłączaj smarownicę od przewodu sprężonego powietrza zanim zaczniesz odkręcać zakrętkę wlewu.

### ▲ NIEBEZPIECZEŃSTWO Niebezpieczeństwa wyrzucenia śruby regulacyjnej dozowania oleju

Pierścień osadczy jest blokującym elementem bezpieczeństwa, zapobiegającym wyrzuceniu śruby regulacyjnej dozowania oleju. Śruba regulacyjna dozowania oleju może w wypadku poluzowania się zostać wyrzucona i spowodować obrażenia.

- ▶ Nigdy nie usuwaj pierścienia osadczego.
- ▶ Nigdy nie reguluj dozowania oleju kiedy nie ma na miejscu pierścienia osadczego.

### ▲ OSTRZEŻENIE Ryzyka związane z poślizgnięciem się, potknięciem lub przewróceniem

Istnieje ryzyko poślizgnięcia się, potknięcia lub przewrócenia, np. potknięcia się o węże lub inne przedmioty. Poślizgnięcie się, potknięcie lub przewrócenie może spowodować obrażenia. Aby zmniejszyć ryzyko przestrzegaj następujących zasad:

- ▶ Dopilnuj zawsze, aby żaden wąż ani inny przedmiot nie zawadzał ani tobie ani nikomu innemu.

### ▲ NIEBEZPIECZEŃSTWO Niebezpieczeństwa związane z prądem elektrycznym

To urządzenie nie posiada izolacji elektrycznej. Kontakt urządzenia z prądem elektrycznym może stać się przyczyną poważnych obrażeń ciała, a nawet śmierci.

- ▶ Nigdy nie używaj urządzenia w pobliżu przewodów elektrycznych ani innych źródeł prądu.
- ▶ Sprawdź, czy w miejscu pracy nie ma ukrytych przewodów lub innych źródeł prądu.

## Konserwacja, środki ostrożności

### ▲ OSTRZEŻENIE Modyfikacje maszyny

Jakiegolwiek modyfikacje maszyny grożą obrażeniami operatora lub osób postronnych.

- ▶ Nigdy nie wprowadzaj żadnych modyfikacji do maszyny. Maszyny które zostały poddane modyfikacjom nie są objęte gwarancją ani odpowiedzialnością producenta za produkt.
- ▶ Używaj zawsze oryginalnych części zamiennych, narzędzi roboczych i akcesoriów eksploatacyjnych zatwierdzonych przez firmę Atlas Copco.
- ▶ Uszkodzone lub zużyte części wymieniaj bezzwłocznie na nowe.
- ▶ Zużyte części wymieniaj w odpowiednim czasie.

## Przechowywanie, środki ostrożności

- ◆ Przechowuj urządzenie i narzędzia w bezpiecznym miejscu, niedostępnym dla dzieci i zamkniętym na klucz.

## Budowa

Aby ograniczyć ryzyko odniesienia przez operatora lub osoby trzecie poważnych obrażeń ciała, a nawet poniesienia śmierci, przed uruchomieniem urządzenia zapoznaj się z instrukcjami bezpieczeństwa zamieszczonymi na poprzednich stronach niniejszej instrukcji.

## Konstrukcja i działanie

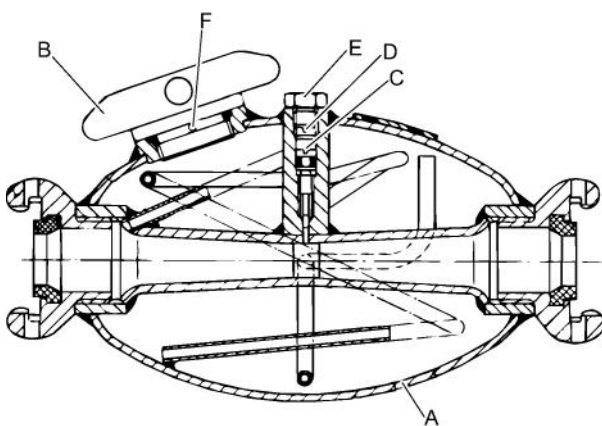
BLG 30 została skonstruowana do smarowania urządzeń pneumatycznych w których stosowany jest olej mineralny. Żadne inne zastosowania nie są dozwolone.

Powietrze przepływa przez smarownicę od wlotu powietrza, po części bezpośrednio do maszyny pneumatycznej, a po części przez przewód powietrza do komory olejowej, w której ciśnienie statyczne oddziałuje na lustro oleju w smarownicy. Powietrze wymusza przepływ oleju do przewodu olejowego zarówno przez otwór końcowy tego przewodu, jak i przez wywiercone w nim małe otwory, i olej dochodzi na koniec do śruby regulacyjnej dozowania oleju.

Rura przelotowa zwęża się naprzeciwko kanału olejowego (rurki Venturiego), co zwiększa prędkość przepływu sprężonego powietrza przy otworze kanału olejowego a zmniejsza jego ciśnienie.

Różnica ciśnień wymusza wypływanie oleju do rury przelotowej, w której jest on rozpylany i razem ze sprężonym powietrzem doprowadzany węzłem do maszyny pneumatycznej. Dozowanie oleju można regulować za pomocą śruby regulacyjnej dozowania, która reguluje wielkość otworu kanału olejowego.

## Budowa młota



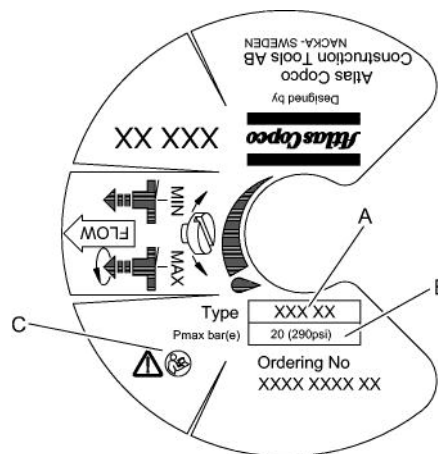
- A. Komora olejowa
- B. Zakrętka wlewu
- C. Śruba regulacyjna dozowania oleju

- D. Pierścień osadczy
- E. Korek
- F. Kanał odpowietrzający

## Znaki i naklejki

Maszyna wyposażona jest w naklejki zawierające ważne informacje dotyczące bezpieczeństwa ludzi i konserwacji maszyny. Naklejki muszą być czytelne. Nowe naklejki można zamówić, korzystając z listy części zamiennych.

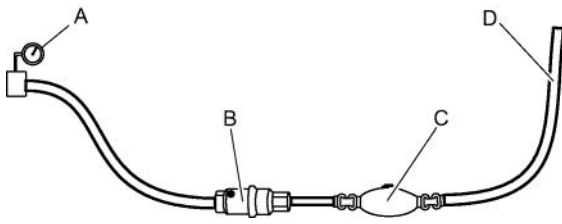
### Nalepka bezpieczeństwa



- A. Typ maszyny
- B. Maksymalne dopuszczalne ciśnienie sprężonego powietrza
- C. Symbol ostrzeżenia połączony z symbolem książki oznacza, że przed pierwszym użyciem maszyny użytkownik musi przeczytać instrukcje bezpieczeństwa i obsługi.

# Uruchomienie

## Węże i złącza



- A. Źródło sprężonego powietrza
  - B. Separator wody (opcjonalnie)
  - C. Smarownica
  - D. Wąż pneumatyczny o maksymalnej długości 3 m (10 ft) łączący smarownicę z maszyną pneumatyczną.
- ◆ Nie wolno przekraczać maksymalnego dopuszczalnego ciśnienia powietrza, które wynosi 20 bar (e) (290 psi).
  - ◆ Przed podłączeniem węża pneumatycznego do smarownicy wydmuchaj z niego wszystkie zanieczyszczenia.
  - ◆ BLG 30 wymaga użycia węża o średnicy wewnętrznej co najmniej 20-25 mm (3/4-1 in.).
  - ◆ Smarownica posiada strzałkę wskazującą prawidłowy kierunek przepływu powietrza. Przy podłączaniu smarownicy dopilnuj, aby kierunek przepływu powietrza był zgodny ze strzałką.

## Smarowanie

Środek smarny jest bardzo ważny dla funkcjonowania maszyny pneumatycznej i ma duży wpływ na jej trwałość. Zapewnienie dobrego smarowania wymaga, aby długość węża pneumatycznego między osobną smarownicą a maszyną pneumatyczną nie przekraczała 3 m.

### Zakres lepkości

Temperatura °C (°F)	Lepkość
+15 do +50 (+59 do +122)	ISO VG 46-68 200-300 SUS
-20 do +15 (-4 do +59)	ISO VG 22-32 100-150 SUS

Informacje o zalecanym oleju smarnym znajdziesz w Instrukcjach bezpieczeństwa i obsługi dla maszyny pneumatycznej używanej ze smarownicą.

## Regulacja dozowania oleju

Śruba regulacyjna dozowania oleju BLG 30 jest przy dostawie w położeniu otwartym na 1 ½ obrotu. Śruba regulacyjna dozowania oleju daje się obrócić o sześć pełnych obrotów. Regulacja jest bezstopniowa.

Aby podregulować dozowanie oleju postąp w następujący sposób:

- ◆ Wykręć korek zabezpieczający.
- ◆ Wsuń śrubokręt przez otwór w pierścieniu osadczym i wpasuj go w rowek śruby regulacyjnej dozowania oleju.  
Obracając śrubę w kierunku zgodnym z ruchem wskazówek zegara zmniejsza się przepływ oleju. Obracając ją w kierunku przeciwnym do ruchu wskazówek zegara zwiększa się przepływ oleju.
- ◆ Nigdy nie odkręcaj ani nie wyjmuj pierścienia osadczego. W wypadku obluźowania się śruby regulacyjnej dozowania oleju pierścień osadczy zapobiegnie jej wyrzuceniu ze smarownicy.
- ◆ Sprawdź na wylocie z maszyny pneumatycznej, czy opuszczając ją powietrze zawiera wystarczającą ilość oleju.

BLG 30 wolno używać wyłącznie z olejem mineralnym.

## Obsługa

### Obsługa

#### Napełnianie smarownicy olejem

Zawsze uzupełniaj do pełna olej w smarownicy przed rozpoczęciem zmiany.

- ◆ Wyłącz dopływ powietrza do smarownicy.
- ◆ Odpowietrz kanał powietrzny, aby usunąć z niego zamknięte w nim powietrze.
- ◆ Oczyszcz powierzchnie wokół zakrętki wlewu aby zapobiec dostaniu się brudu do smarownicy.
- ◆ Odkręć zakrętkę wlewu o dwa obroty, co otwiera kanał odpowietrzający i usuwa ze smarownicy ewentualne resztki sprężonego powietrza.
- ◆ Napełnij smarownicę olejem na bazie mineralnej.
- ◆ Załóż z powrotem zakrętkę wlewu i dokręć ją. Smarownica jest teraz gotowa do użycia.

## Konserwacja

Regularna konserwacja to podstawowy warunek dalszego bezpiecznego i efektywnego korzystania ze smarownicy. Przestrzegaj dokładnie instrukcji konserwacji.

- ◆ Przed przystąpieniem do konserwacji smarownicy oczyść ją, aby uniknąć ekspozycji na substancje niebezpieczne.
- ◆ Używaj wyłącznie dopuszczonych przez producenta części zamiennych. Wszelkie uszkodzenia i zakłócenia w działaniu wynikające z użycia nie dopuszczonych części są wyłączone z gwarancji i odpowiedzialności za produkt.
- ◆ Podczas czyszczenia rozpuszczalnikiem części mechanicznych przestrzegaj stosownych przepisów BHP i zadbaj o odpowiednią wentylację.
- ◆ W celu przeprowadzenia przeglądu należy się skontaktować z najbliższym autoryzowanym warsztatem.

## Codziennie

Przed przystąpieniem do jakichkolwiek prac konserwacyjnych na smarownicy wyłącz zawsze najpierw dopływ powietrza, a następnie odłącz doprowadzający je wąż od smarownicy.

- ◆ Przed rozpoczęciem pracy oczyść codziennie smarownicę i poddaj ją oględzinom, oraz sprawdź jej działanie.
- ◆ Dokonaj ogólnego przeglądu pod kątem ewentualnych wycieków i uszkodzeń.
- ◆ Sprawdź czy złącza kłowe są dobrze dokręcone i czy nie są uszkodzone.
- ◆ Uszkodzone części wymieniaj bezzwłocznie na nowe.
- ◆ Części zużyte wymieniaj zanim ich stan ulegnie nadmiernemu pogorszeniu.
- ◆ Dopilnuj aby cały współpracujący z urządzeniem osprzęt, taki jak węże, poddawany był odpowiedniej konserwacji.

## Konserwacja okresowa

Raz na rok należy smarownicę rozmontować, a następnie wszystkie części oczyścić i skontrolować. Praca ta musi być wykonywana przez autoryzowany personel, który posiada odpowiednie przeszkolenie.

## Instrukcja montażu

Przy ponownym montażu złączy kłowych smarownicy należy użyć LOCTITE® 577™ (LOCTITE jest zarejestrowanym znakiem handlowym Henkel Corporation. 577 jest znakiem handlowym Henkel Corporation).

## Rozwiązywanie problemów

W wypadku nieprawidłowego działania smarownicy wykonaj wymienione poniżej kontrole.

- ◆ Sprawdź poziom oleju.
- ◆ Sprawdź, czy wąż pneumatyczny spełnia zalecenia pod względem wymiaru i długości. Patrz „Instalacja”.
- ◆ Sprawdź czy nie ma żadnych wycieków wokół zakrętki wlewu.
- ◆ Dopilnuj aby w komorze olejowej nie było żadnego brudu.
- ◆ Jeśli smarownica mimo przeprowadzenia powyższej procedury nadal nie działa w sposób zadowalający, skontaktuj się z autoryzowanym serwisem Atlas Copco.

## Przechowywanie

- Aby uniknąć niebezpiecznych substancji czyść smarownicę dokładnie przed jej odstawieniem na przechowanie.
- W wypadku przechowywania smarownicy napełnionej olejem umieść ją zakrętką wlewu do góry, aby zapobiec wyciekowi oleju przez otwór wylotowy przewodu powietrza.
- Zawsze przechowuj smarownicę w suchym miejscu.

## Utylizacja

Zużytą maszynę należy oddać do kasacji postępując z nią przy tym w sposób, który pozwoli na odzyskanie z niej jak największej części surowców wtórnych przy jednoczesnej minimalizacji ujemnego wpływu na środowisko.

## Parametry techniczne

### Parametry techniczne urządzenia

Typ	Masa kg (lb)	Pojemność l (oz)	Zakres przepływu powietrza l/s (cfm)
BLG 30	3 (6,6)	1,3 (44)	25-134 (53-284)
BLG 30 US	3 (6,6)	1,3 (44)	25-134 (53-284)













Any unauthorized use or copying of the contents or any part thereof is prohibited.  
This applies in particular to trademarks, model denominations, part numbers, and drawings.

© 2011 Atlas Copco Construction Tools AB | No. 9800 1216 90 | 2011-02-02

[www.atlascopco.com](http://www.atlascopco.com)